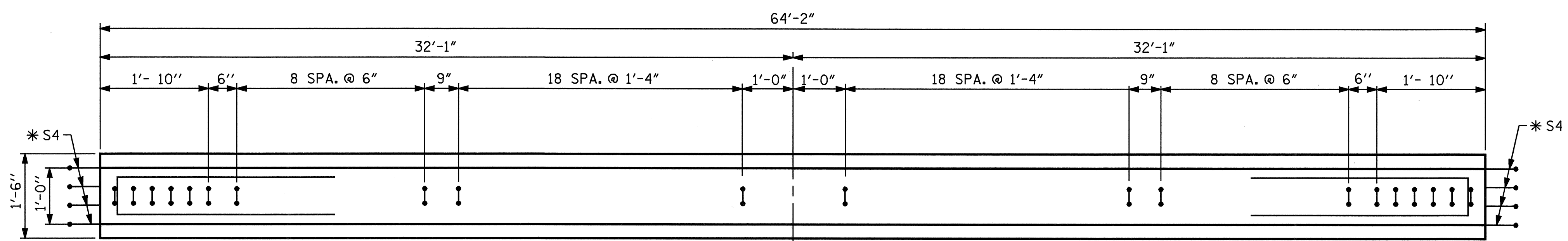


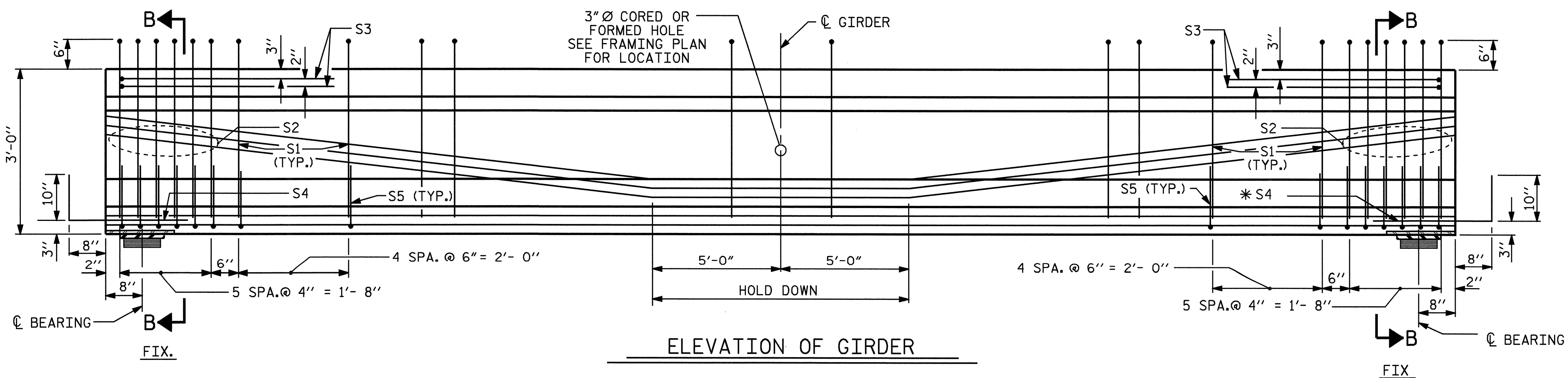
SECTION B-B

AT END OF GIRDER AT CL OF GIRDER

0.6" Ø LOW RELAXATION STRAND LAYOUT



PLAN OF GIRDER



ELEVATION OF GIRDER

0.6" Ø L. R. GRADE 270 STRANDS

AREA (SQUARE INCHES)	ULTIMATE STRENGTH (LBS. PER STRAND)	APPLIED PRESTRESS (LBS. PER STRAND)
0.217	58,600	43,950

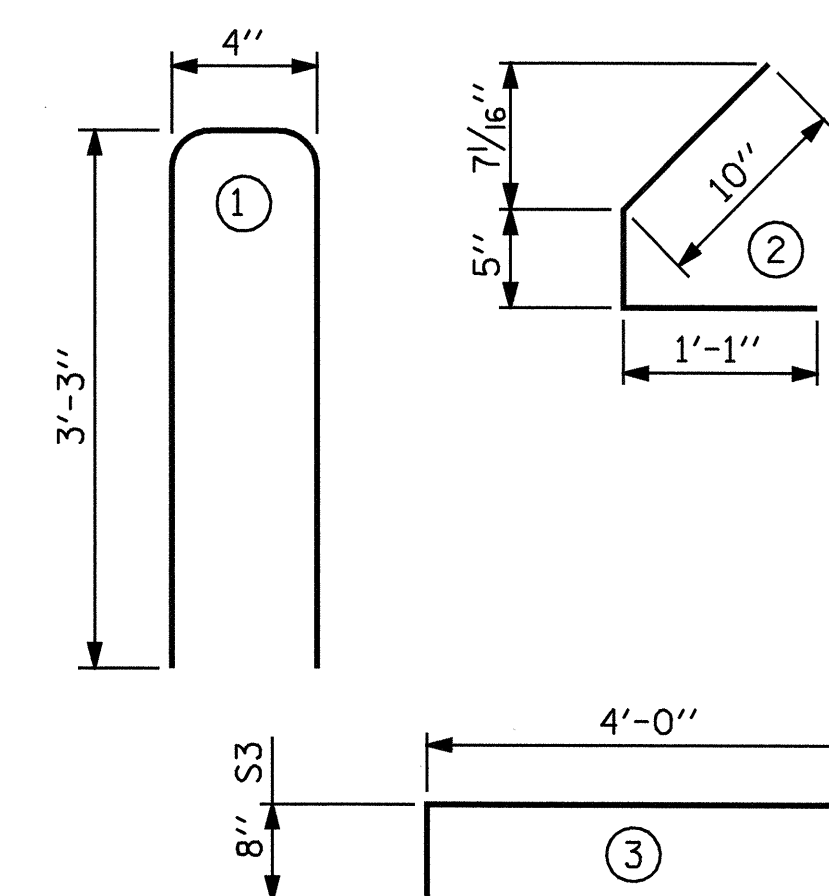
REINFORCING STEEL FOR ONE GIRDER

BAR	NUMBER	SIZE	TYPE	LENGTH	WEIGHT
S1	56	#4	1	6'-10"	256
S2	12	#5	1	6'-10"	86
S3	4	#4	3	8'-8"	23
*S4	8	#5	STR	3'-8"	31
S5	44	#4	2	2'-4"	69

* NOTE: S4 BARS SHALL BE BENT BEFORE SHIPMENT. HEAT BENDING SHALL NOT BE ALLOWED.

BAR TYPES

ALL BAR DIMENSIONS ARE OUT-TO-OUT



QUANTITIES FOR ONE GIRDER

	REINFORCING STEEL	10,000 PSI CONCRETE	0.6" Ø L.R. STRANDS
	LB.	C.Y.	No.
SPAN B	465	6.1	26

GIRDERS REQUIRED

NUMBER	LENGTH	TOTAL LENGTH
4	64'-2"	256'-8"

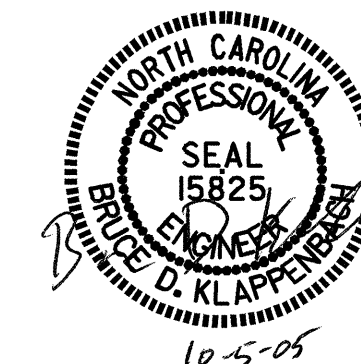
PROJECT NO. B-3877
NASH COUNTY
STATION: 25+80.65 -L-

STATE OF NORTH CAROLINA
DEPARTMENT OF TRANSPORTATION
RALEIGH

AASHTO TYPE II
PRESTRESSED CONCRETE GIRDER
CONTINUOUS FOR LIVE LOAD
SPAN B

NOVEMBER 1991

REVISIONS						SHEET NO.
NO.	BY:	DATE:	NO.	BY:	DATE:	S-13
1			3			TOTAL SHEETS
2			4			33



ASSEMBLED BY : M. G. SHAIKH DATE : 01-20-05
CHECKED BY : D. A. GLADDEN DATE : 04-27-05
DRAWN BY : ELR 8/91 REV. 7/17/98 RWW/LES
CHECKED BY : GRP 8/91 REV. 8/16/99 RWW/LES
REV. 10/17/00 RWW/LES