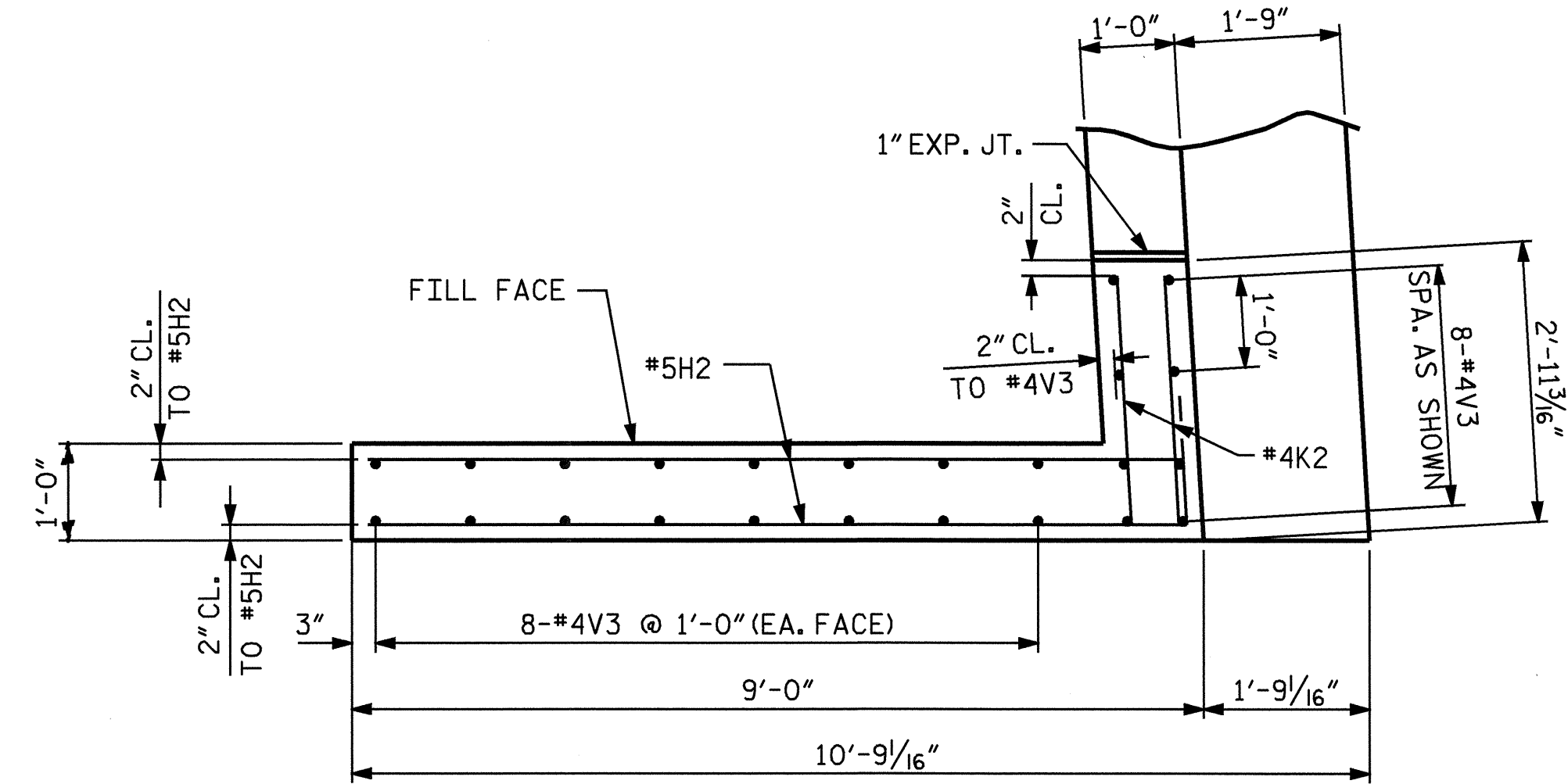
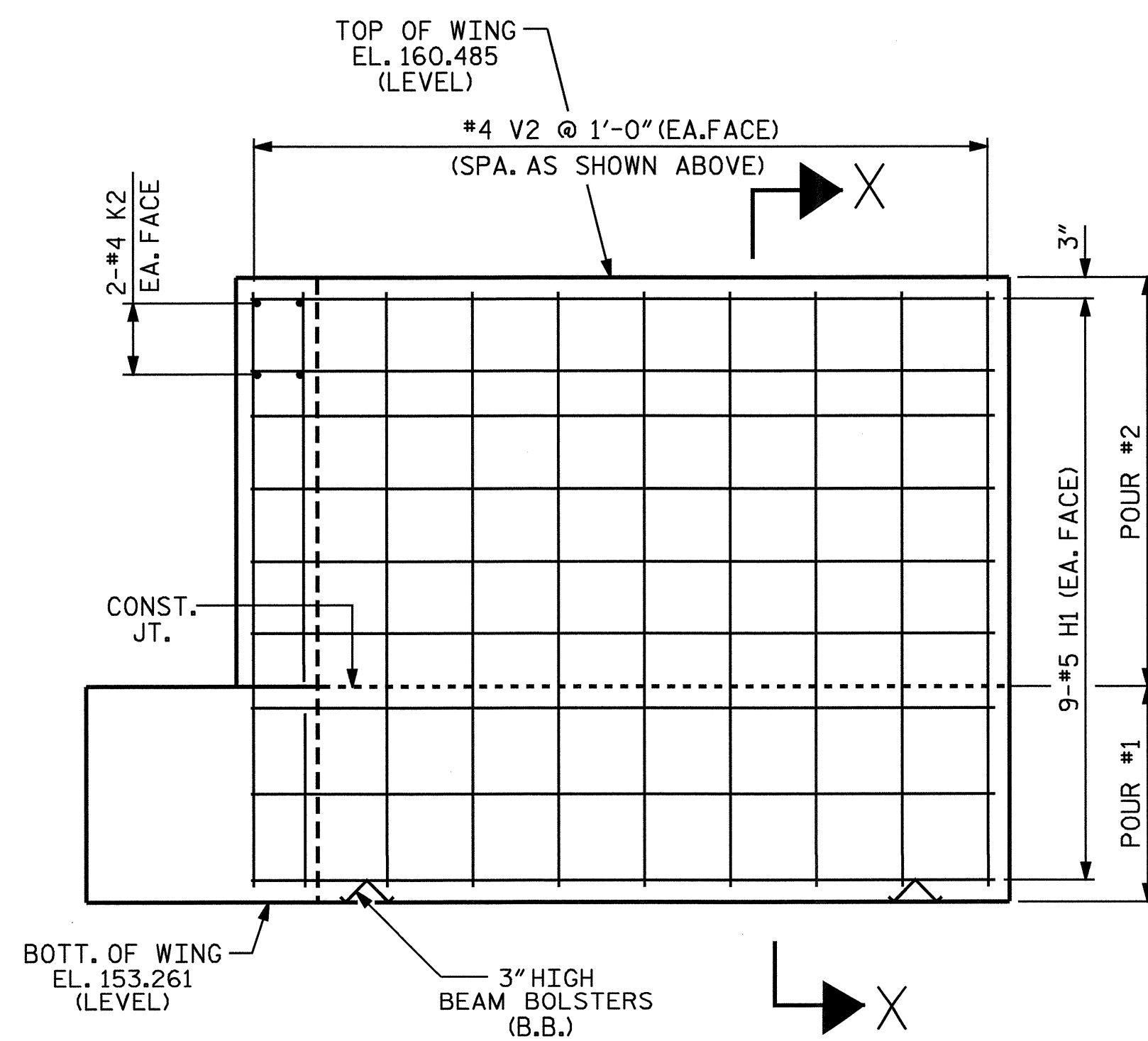


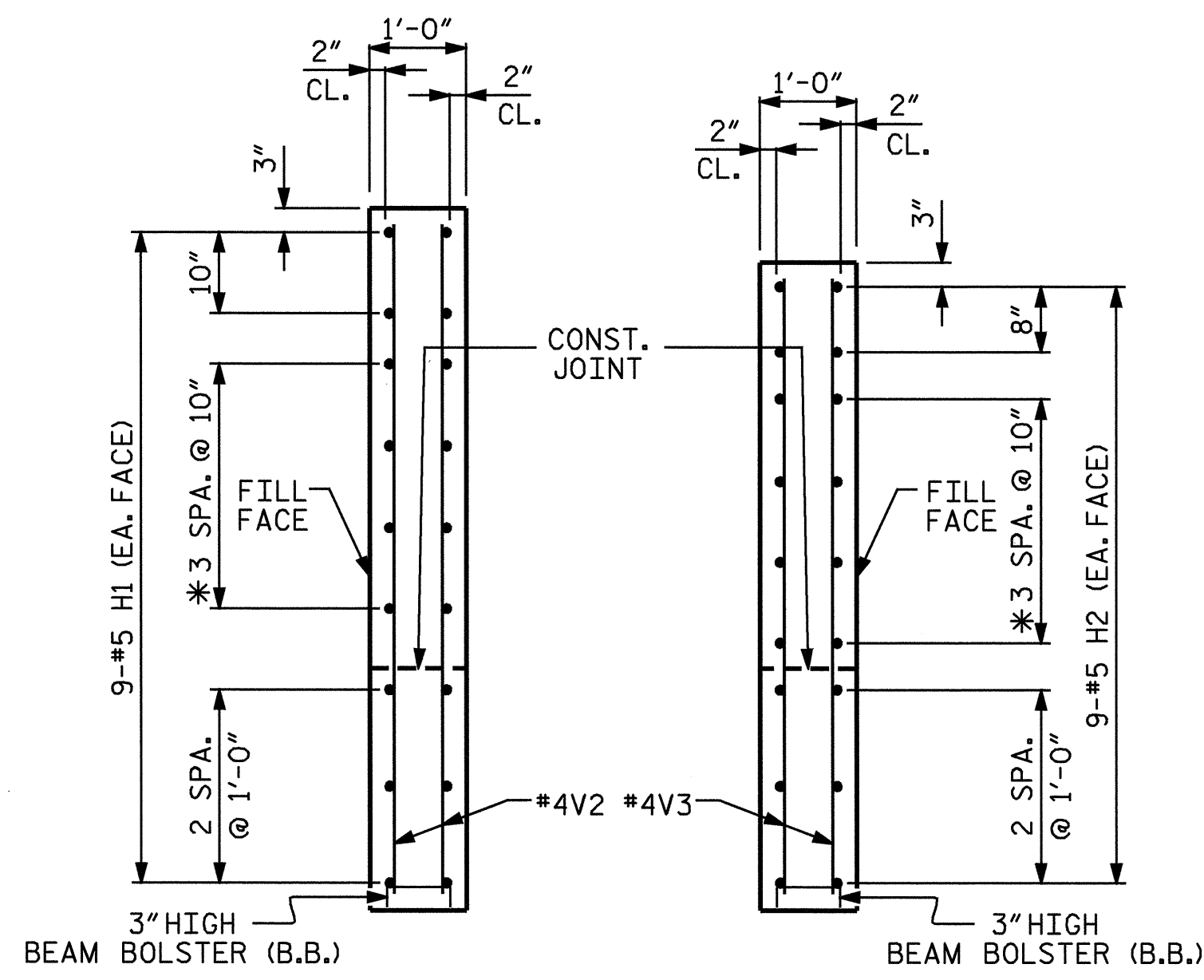
PLAN OF LEFT WING (W1)



PLAN OF RIGHT WING (W2)

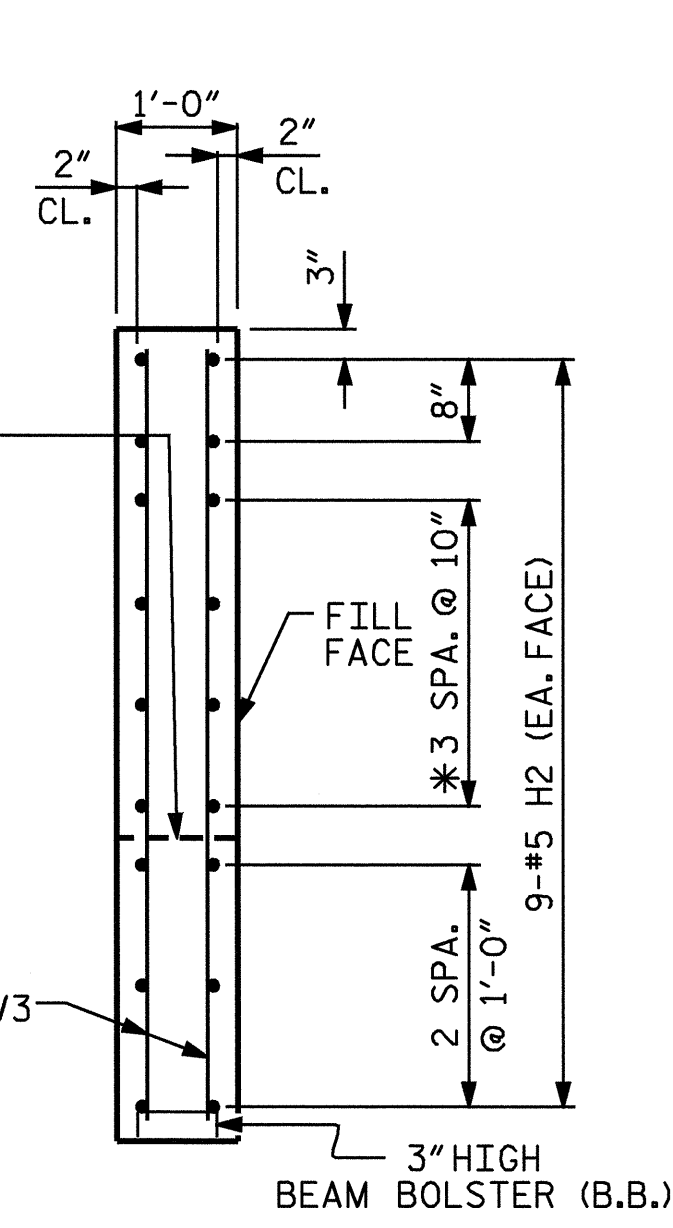


ELEVATION OF LEFT WING (W1)

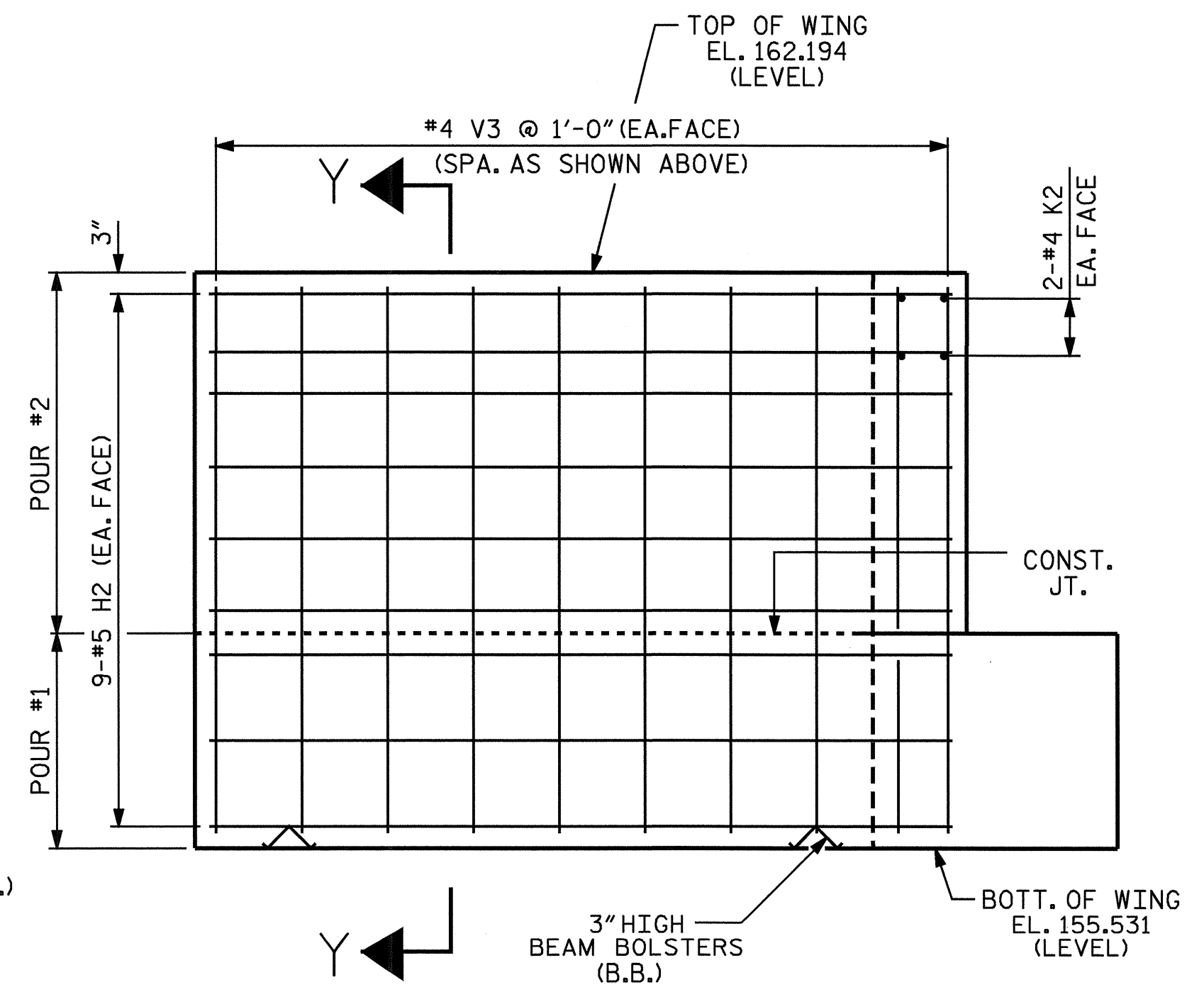


SECTION X-X

\* THESE BARS TO MATCH "K" BARS IN BACKWALL



SECTION Y-Y

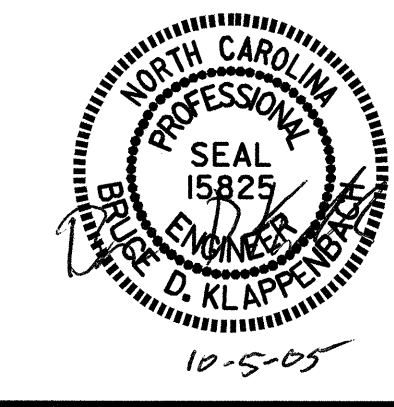


ELEVATION OF RIGHT WING (W2)

PROJECT NO. B-3877  
 NASH COUNTY  
 STATION: 25+80.65 -L-

SHEET 2 OF 3

STATE OF NORTH CAROLINA  
 DEPARTMENT OF TRANSPORTATION  
 RALEIGH  
 SUBSTRUCTURE  
 END BENT #1



DRAWN BY : M. G. SHAIKH DATE : 02-17-05  
 CHECKED BY : J. B. WILSON DATE : 06-20-05

REVISIONS						SHEET NO.	
NO.	BY:	DATE:	NO.	BY:	DATE:	S-20	
1			3			TOTAL SHEETS	
2			4			33	