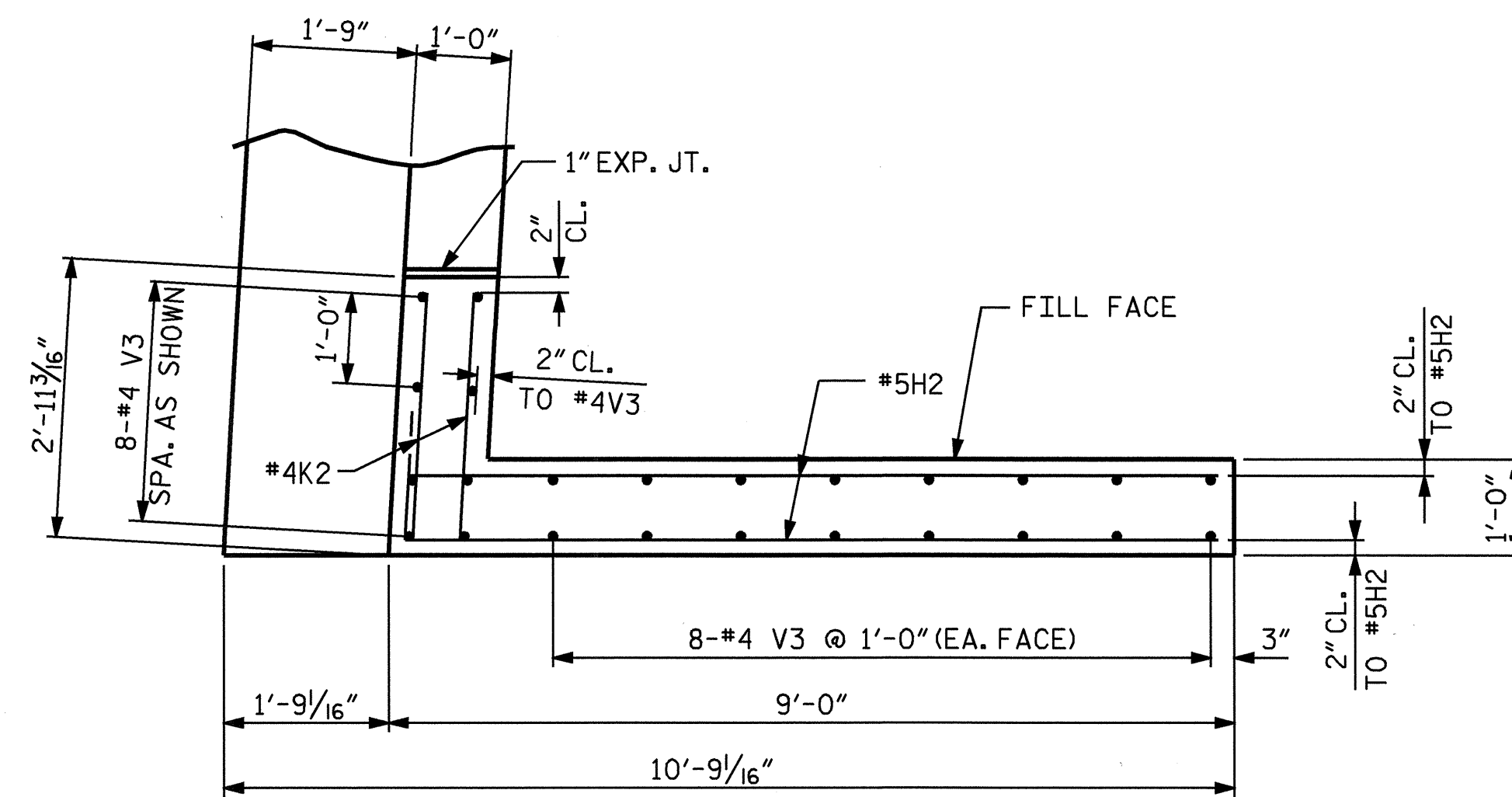
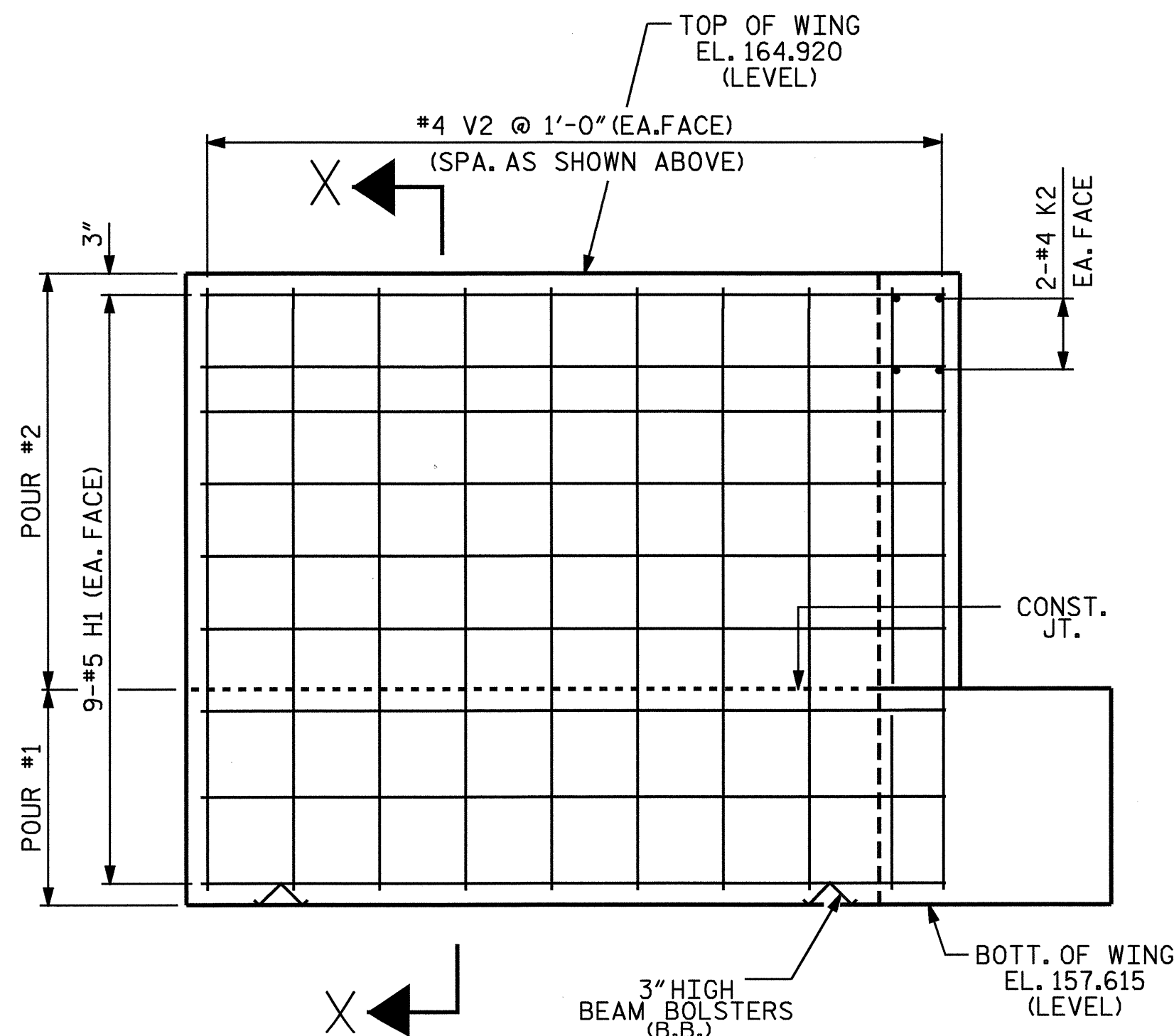


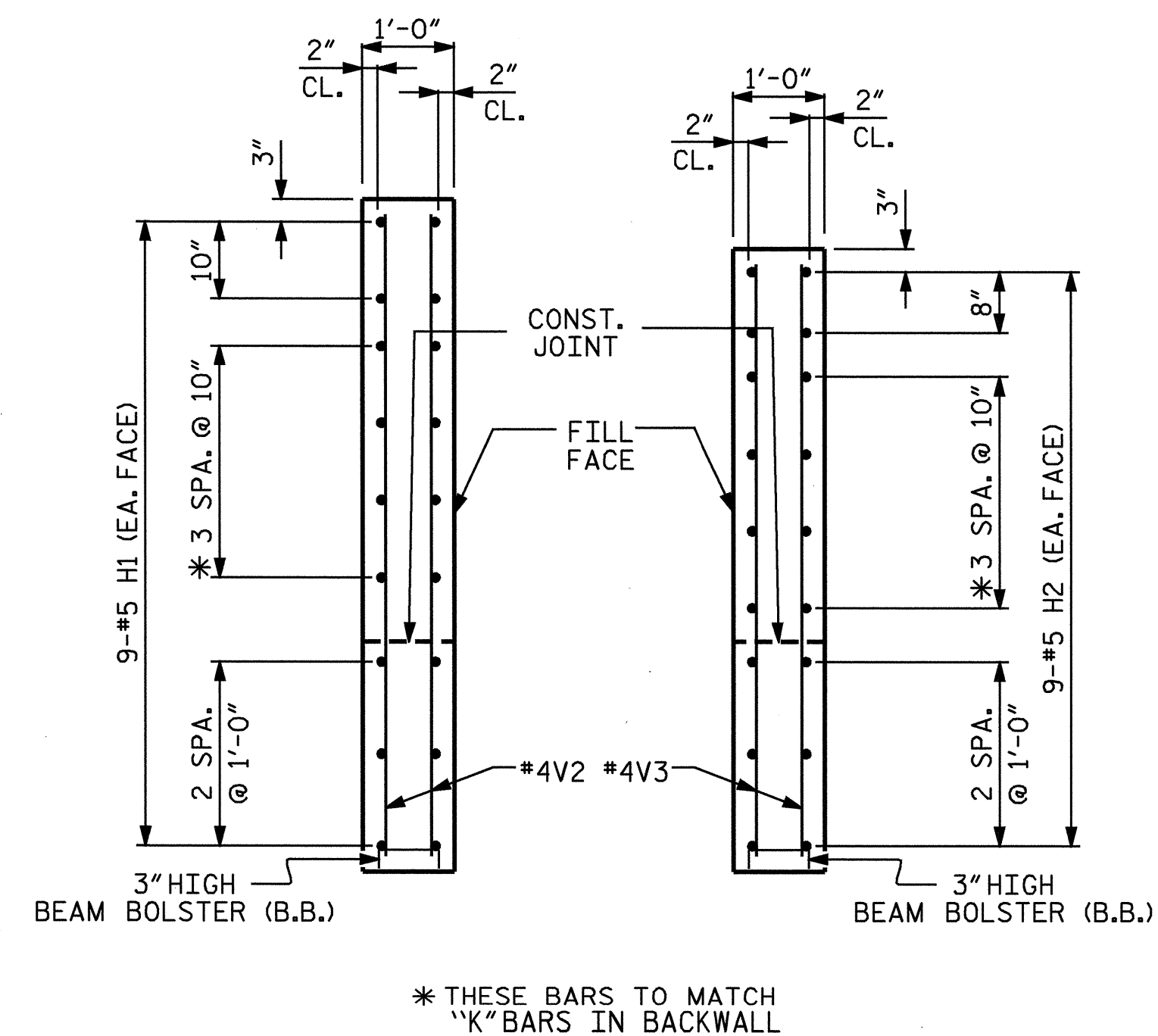
PLAN OF LEFT WING (W1)



PLAN OF RIGHT WING (W2)

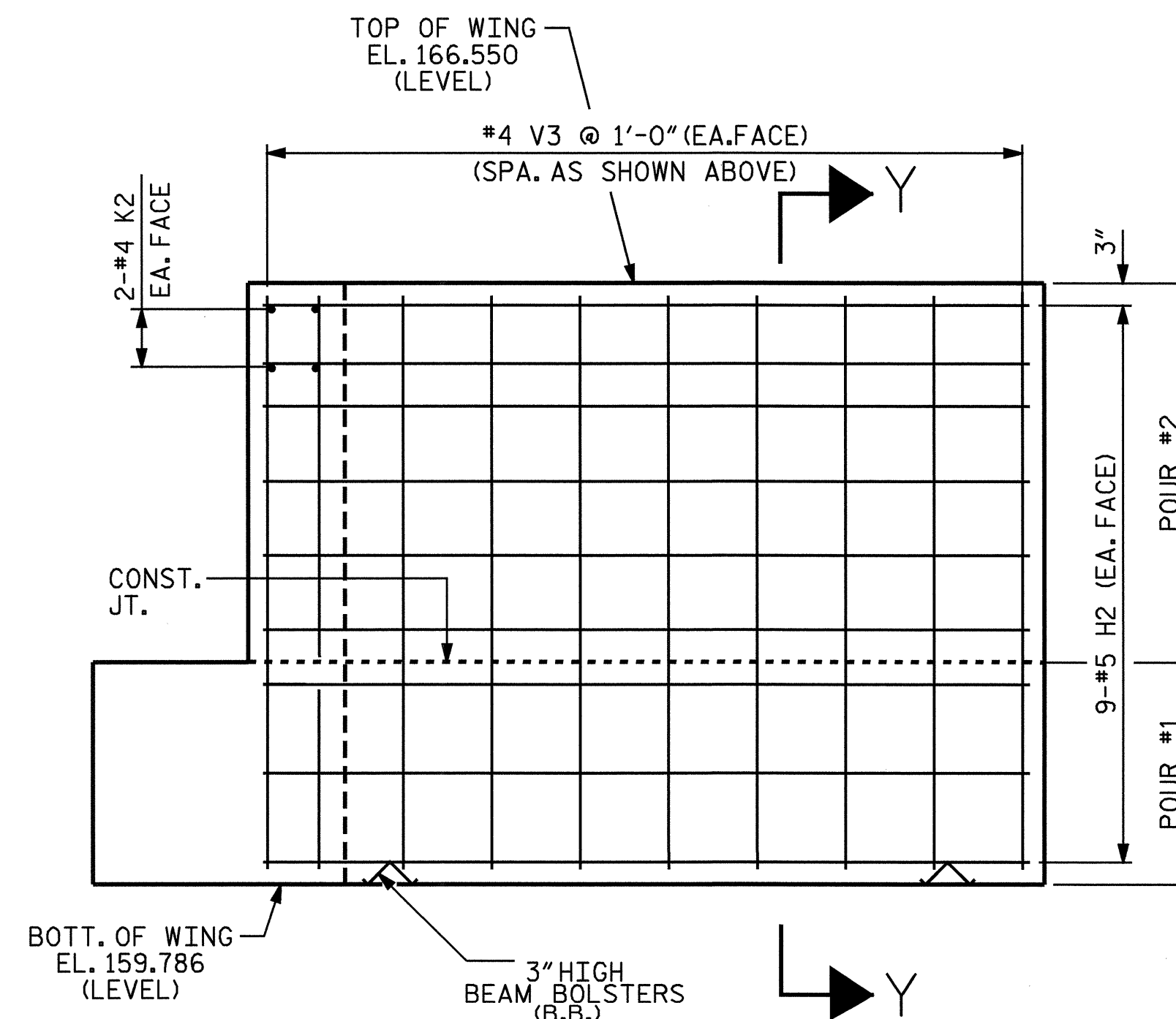


ELEVATION OF LEFT WING (W1)



SECTION X-X

SECTION Y-Y



ELEVATION OF RIGHT WING (W2)

PROJECT NO. B-3877
NASH COUNTY
 STATION: 25+80.65 -L-

SHEET 2 OF 3

STATE OF NORTH CAROLINA
 DEPARTMENT OF TRANSPORTATION
 RALEIGH

SUBSTRUCTURE
 END BENT #2



DRAWN BY : M. G. SHAIKH DATE : 02-22-05
 CHECKED BY : J. B. WILSON DATE : 06-20-05

04-OCT-2005 14:58
 R:\STRUCT\2\mshai\k\MICROS\B-3877.sd.E*.01.dgn
 mshai

REVISIONS						SHEET NO.	
NO.	BY:	DATE:	NO.	BY:	DATE:	S-27	
1			3			TOTAL SHEETS	
2			4			33	