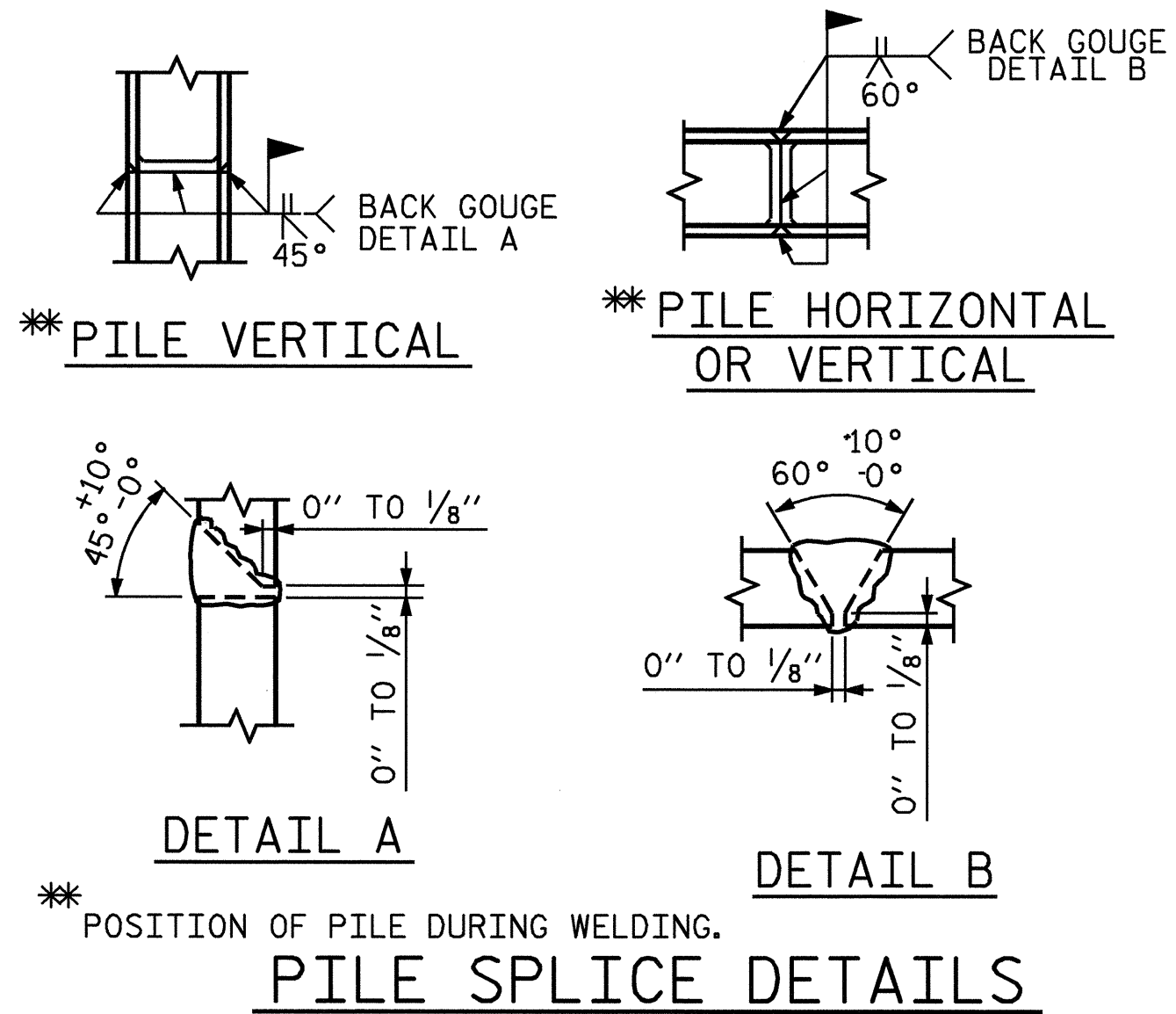
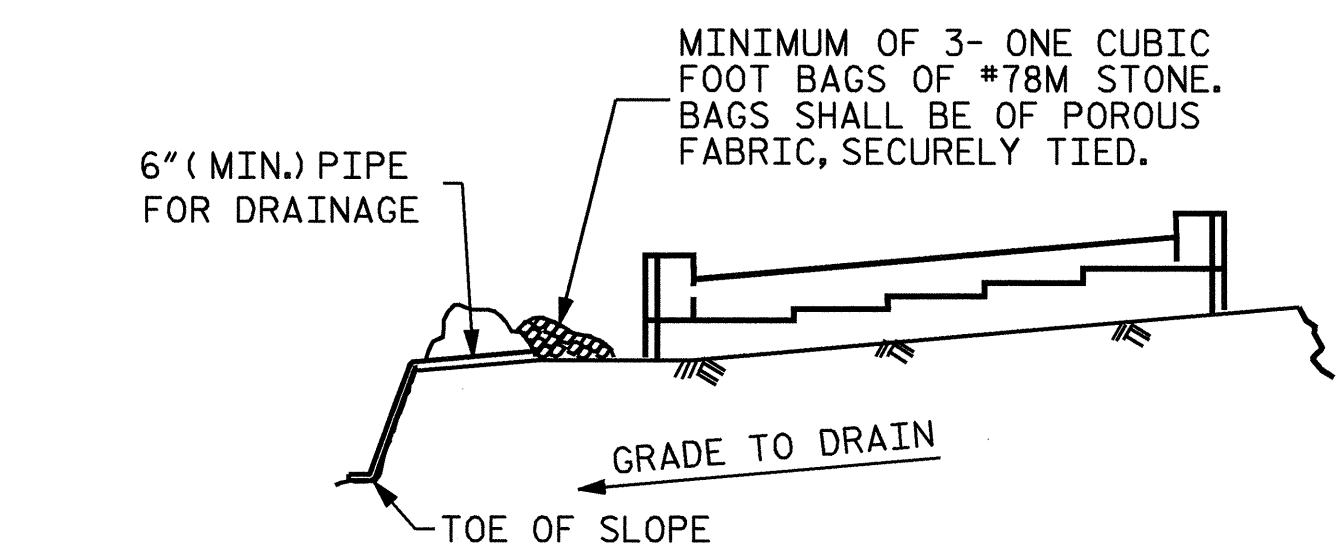


SECTION A-A



PILE SPLICE DETAILS



BAGGED STONE AND PIPE SHALL BE PLACED IMMEDIATELY AFTER COMPLETION OF END BENT EXCAVATION. PIPE MAY BE EITHER CONCRETE, CORRUGATED STEEL, CORRUGATED ALUMINUM ALLOY, OR CORRUGATED PLASTIC. PERFORATED PIPE WILL NOT BE ALLOWED.

BAGGED STONE SHALL REMAIN IN PLACE UNTIL THE ENGINEER DIRECTS THAT IT BE REMOVED. THE CONTRACTOR SHALL REMOVE AND DISPOSE OF SILT ACCUMULATIONS AT BAGGED STONE WHEN SO DIRECTED BY THE ENGINEER. BAGS SHALL BE REMOVED AND REPLACED WHENEVER THE ENGINEER DETERMINES THAT THEY HAVE DETERIORATED AND LOST THEIR EFFECTIVENESS.

NO SEPARATE PAYMENT WILL BE MADE FOR THIS WORK AND THE ENTIRE COST OF THIS WORK SHALL BE INCLUDED IN THE UNIT CONTRACT PRICE BID FOR THE SEVERAL PAY ITEMS.

TEMPORARY DRAINAGE AT END BENT

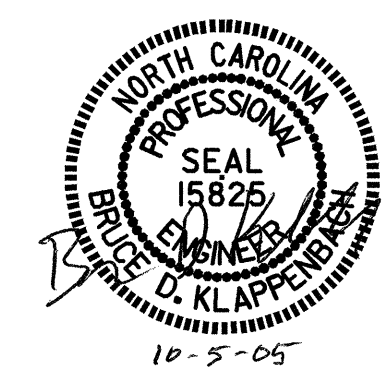
BILL OF MATERIAL FOR END BENT #2					
BAR NO.	SIZE	TYPE	LENGTH	WEIGHT	
B1	8	#9	1	39'-4"	1070
B2	2	#6	STR	37'-0"	111
B3	8	#4	STR	19'-9"	106
B4	9	#4	STR	2'-5"	15
H1	18	#5	2	9'-4"	175
H2	18	#5	3	9'-4"	175
K1	16	#4	STR	19'-9"	211
K2	8	#4	STR	2'-7"	14
S1	32	#5	4	3'-4"	111
S2	32	#5	5	7'-7"	253
S3	14	#4	6	6'-6"	61
U1	32	#4	7	3'-8"	78
V1	64	#5	STR	5'-2"	345
V2	24	#4	STR	6'-11"	110
V3	24	#4	STR	6'-5"	102
REINFORCING STEEL				=	2937 LBS

CLASS A CONCRETE BREAKDOWN			
POUR #1	CAP & LOWER PART OF WINGS	C.Y.	12.2
POUR #2	UPPER PART OF WINGS & BACKWALL	C.Y.	7.1
TOTAL CLASS A CONCRETE		C.Y.	19.3
HP 12 X 53 STEEL PILES	NO. 7	LIN. FT.	155.0

ALL BAR DIMENSIONS ARE OUT TO OUT.

DRAWN BY : M. G. SHAIKH DATE : 02-18-05
 CHECKED BY : J. B. WILSON DATE : 05-20-05

04-OCT-2005 14:58
 R:\STRUCT\2\mshai\kh\MICROS\B-3877_sd.E*.01.dgn
 mshai



PROJECT NO. B-3877
NASH COUNTY
 STATION: 25+80.65 -L-

SHEET 3 OF 3

REVISIONS						SHEET NO.
NO.	BY:	DATE:	NO.	BY:	DATE:	S-28
1			3			TOTAL SHEETS
2			4			33