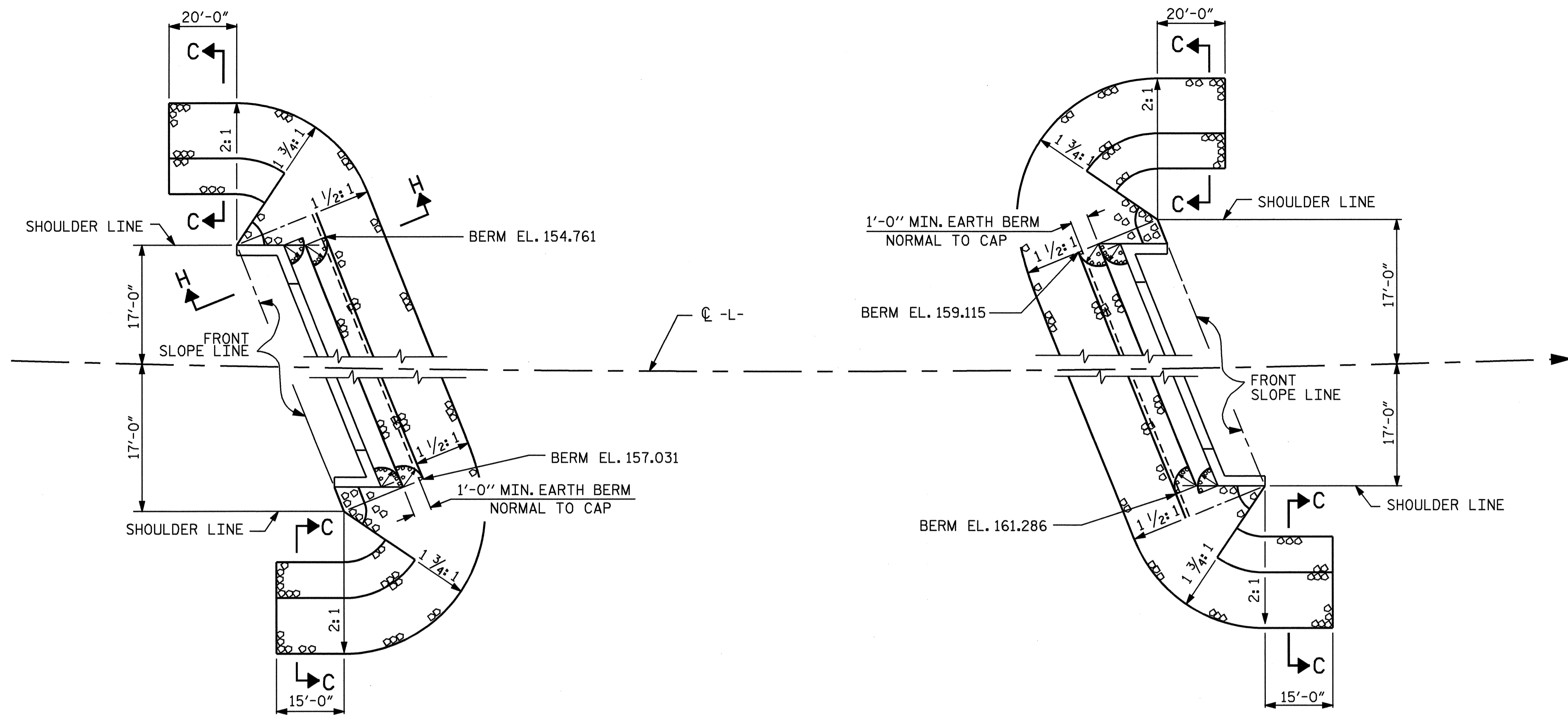


NOTES :  
FOR BERM WIDTH DIMENSIONS, SEE GENERAL DRAWING.

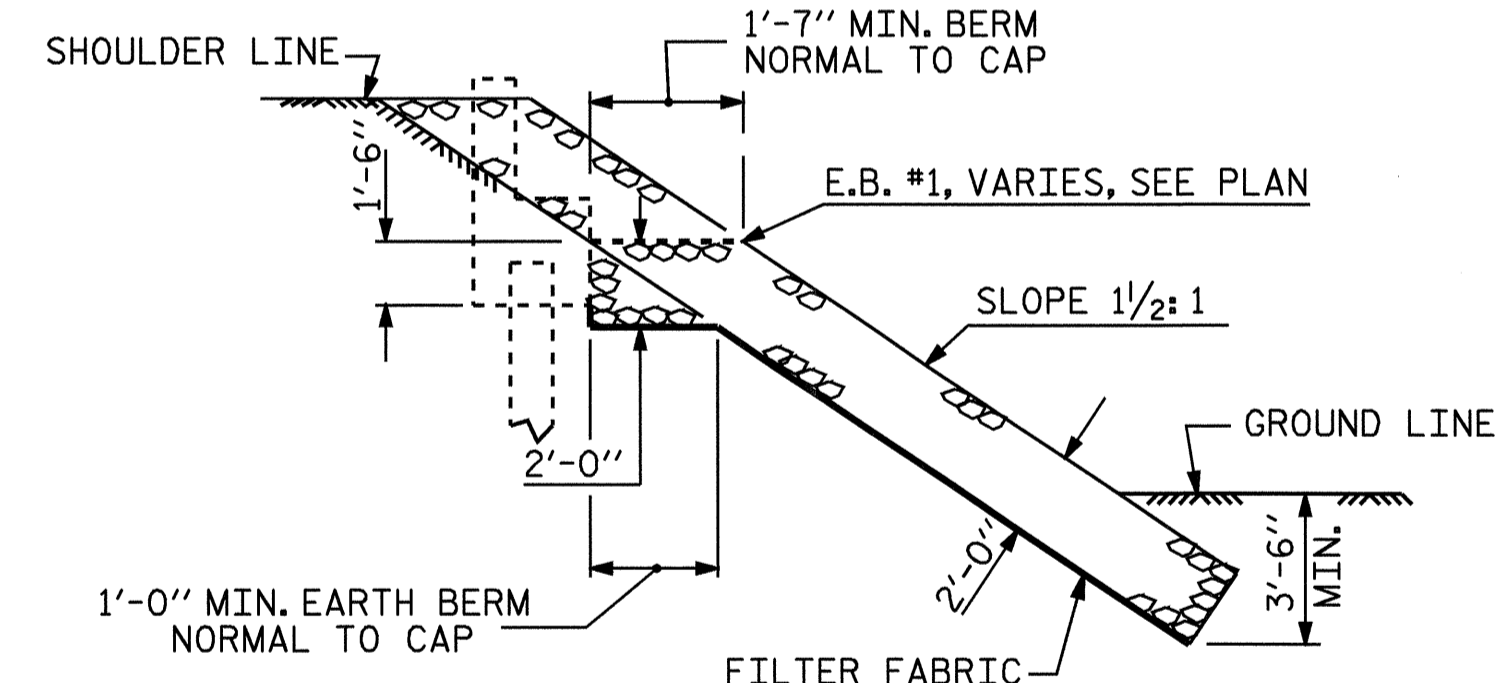
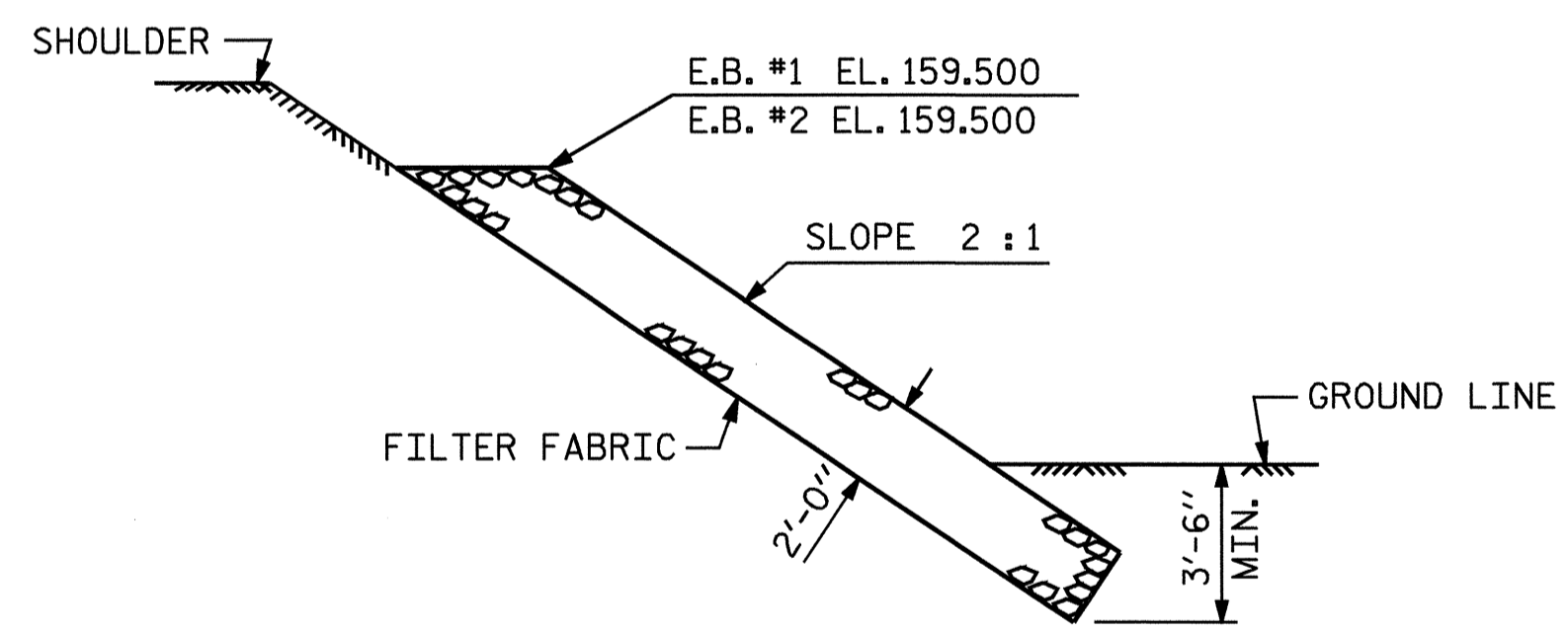


| ESTIMATED QUANTITIES          |                           |                               |
|-------------------------------|---------------------------|-------------------------------|
| BRIDGE @<br>STA. 25+80.65 -L- | PLAIN RIP RAP<br>CLASS II | FILTER FABRIC<br>FOR DRAINAGE |
|                               | TONS                      | SQUARE YARDS                  |
| END BENT 1                    | 339                       | 377                           |
| END BENT 2                    | 352                       | 391                           |

END BENT #1

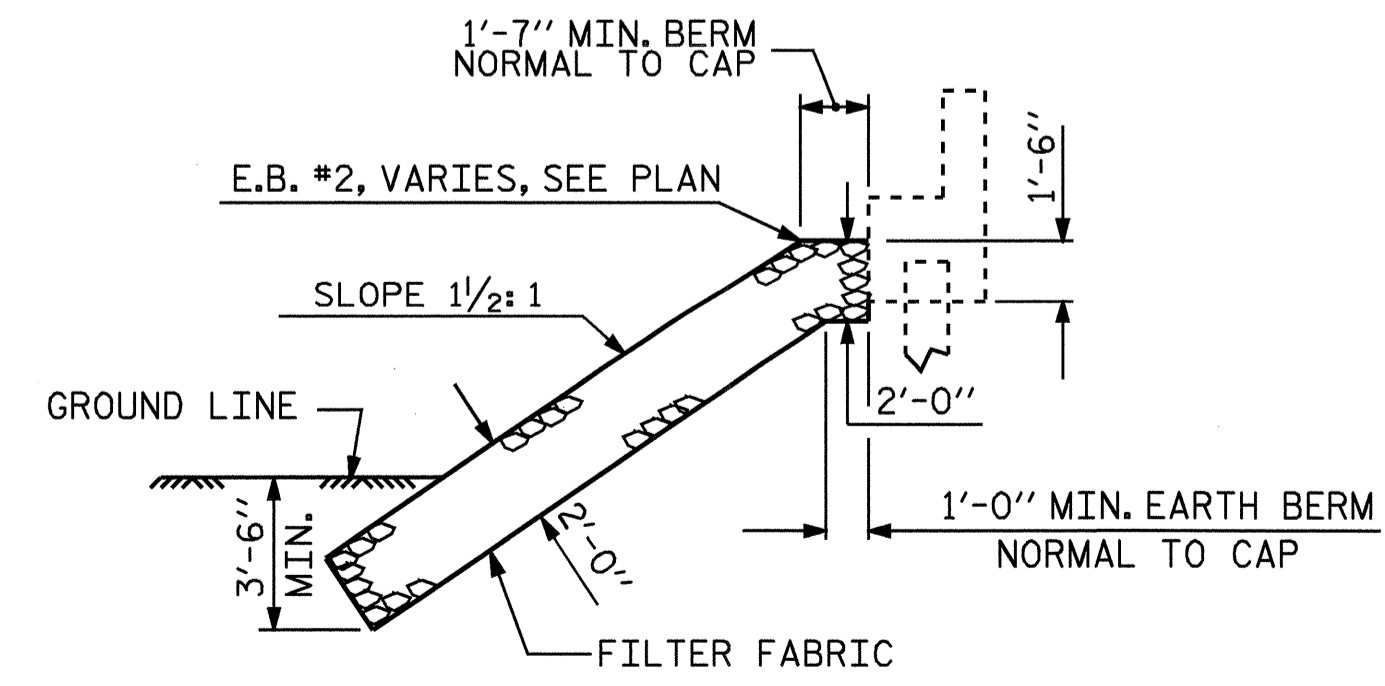
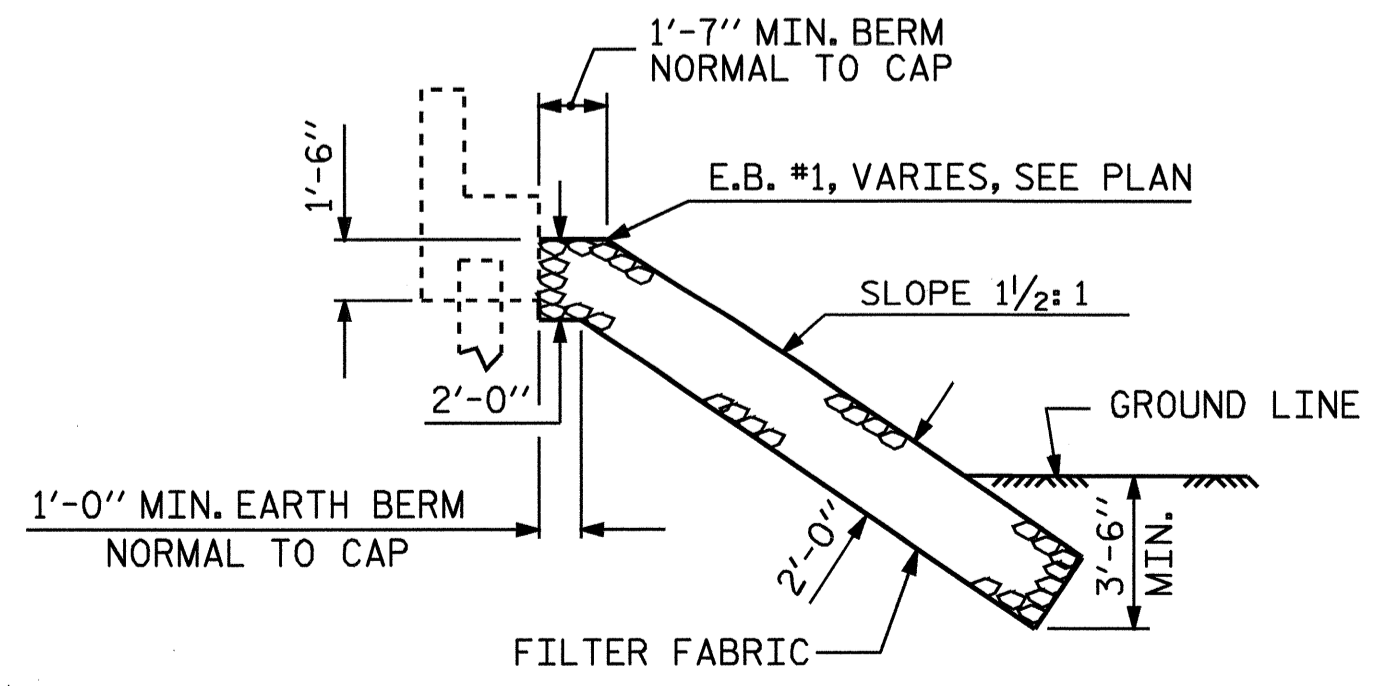
END BENT #2

PLAN



SECTION C-C

SECTION H-H



SECTION C-C  
BERM RIP RAPPED

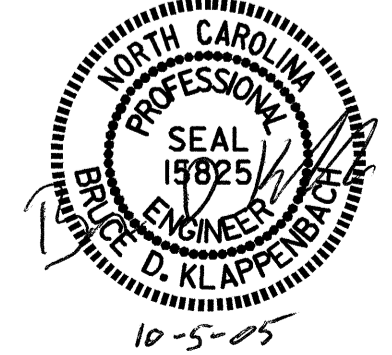
SECTION H-H  
BERM RIP RAPPED

PROJECT NO. B-3877  
NASH COUNTY  
STATION: 25+80.65 -L-

SHEET 1 OF 1

STATE OF NORTH CAROLINA  
DEPARTMENT OF TRANSPORTATION  
RALEIGH

RIP RAP DETAILS



| REVISIONS |     |       |     |     |       | SHEET NO.    |
|-----------|-----|-------|-----|-----|-------|--------------|
| NO.       | BY: | DATE: | NO. | BY: | DATE: | S-29         |
| 1         |     |       | 3   |     |       | TOTAL SHEETS |
| 2         |     |       | 4   |     |       | 33           |

DRAWN BY : J. B. WILSON DATE : 12/06/04  
CHECKED BY : D. A. GLADDEN DATE : 12/04

04-OCT-2005 15:00  
RASTRUCT\Mshalkh\MICROS\B-3877\_sd\_RR.dgn  
mshalkh