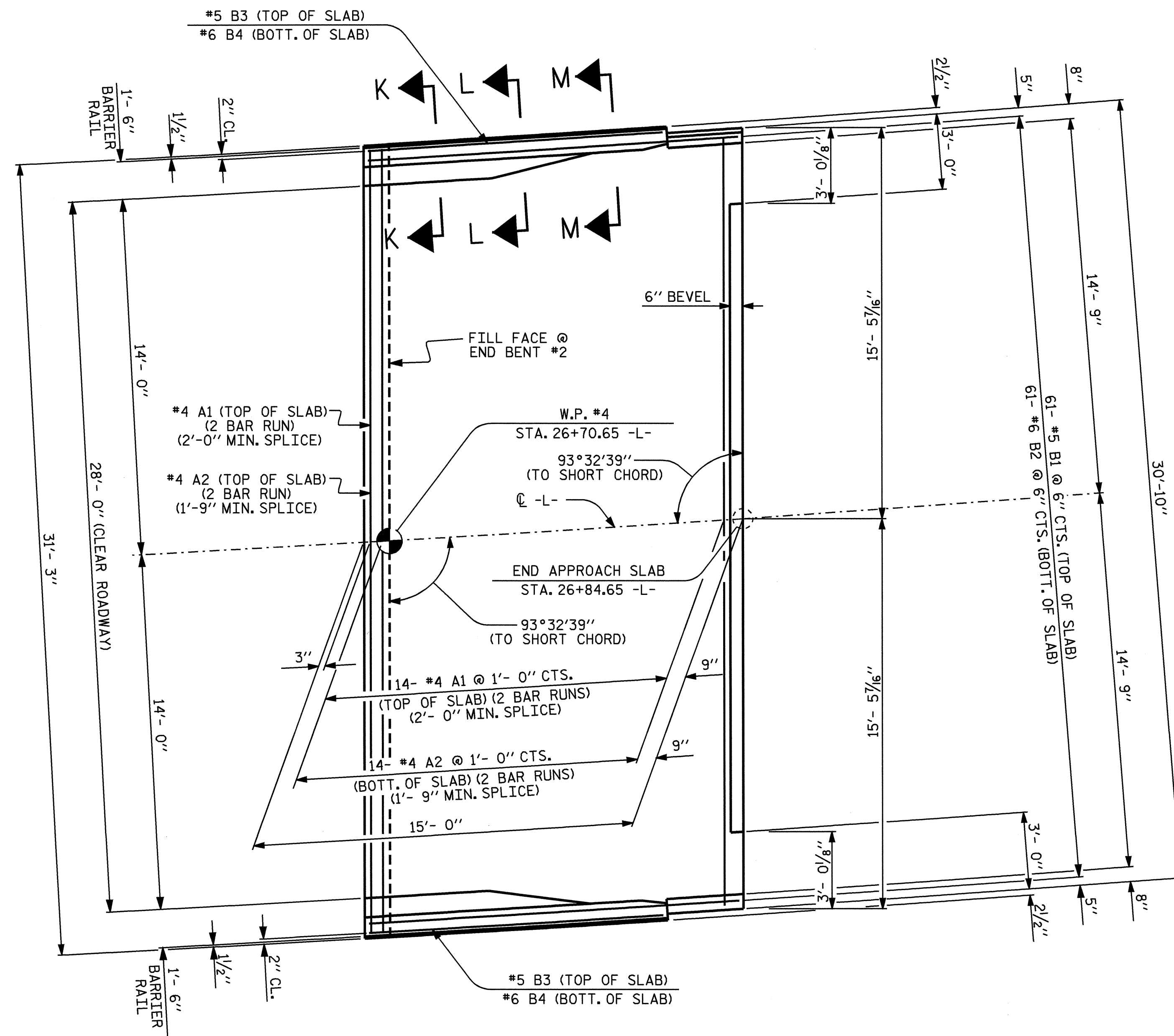
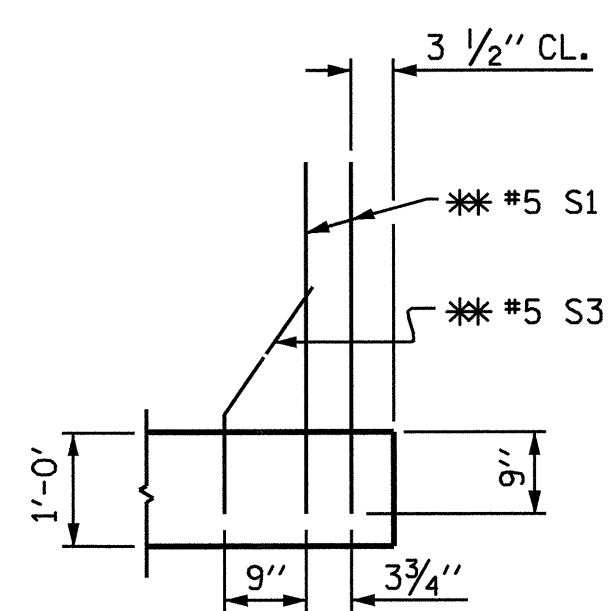


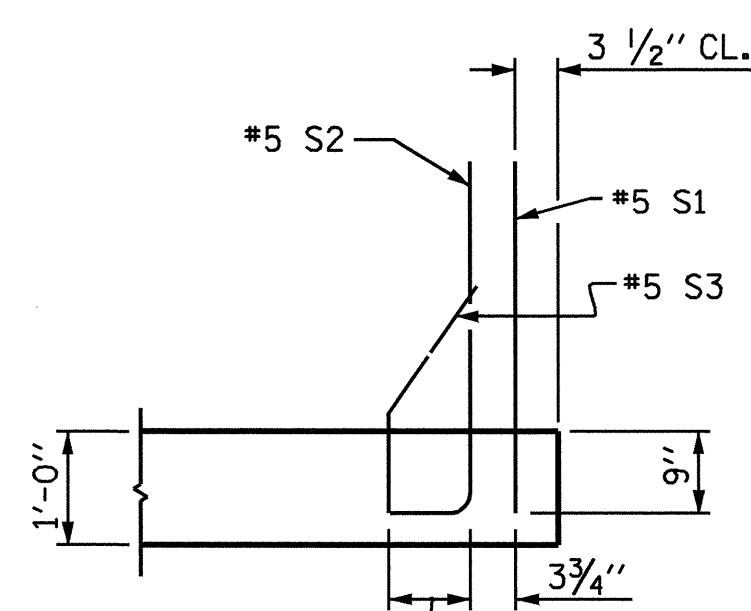
PLAN OF APPROACH SLAB AT END BENT #1



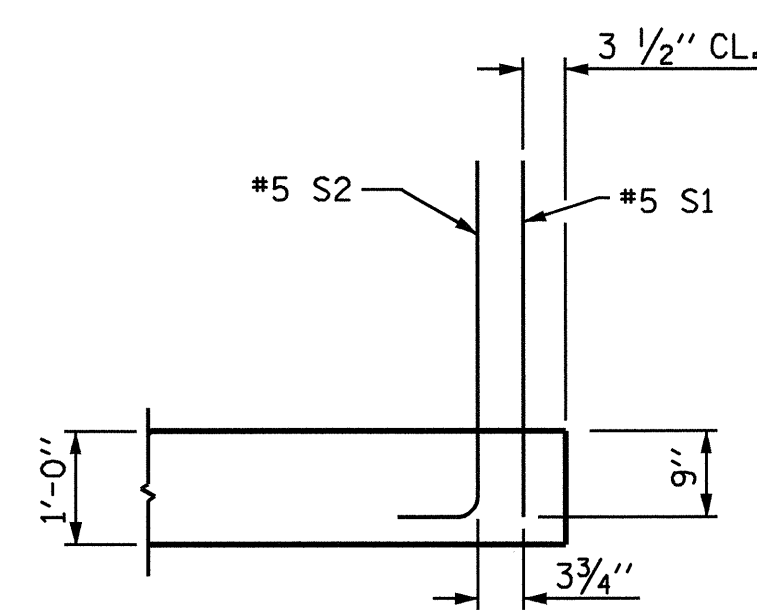
PLAN OF APPROACH SLAB AT END BENT #2



SECTION K-K  
\*\* ADHESIVELY ANCHORED



SECTION L-L



SECTION M-M

DRAWN BY: D. A. GLADDEN DATE: 11-23-04  
 CHECKED BY: K. MCCAULEY DATE: 8-18-05

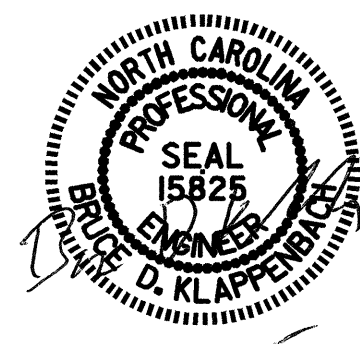
28-SEP-2005 16:10  
 RA:\STRUCT\agladden\MICROS\B-3877\B-3877.dgn  
 dgladden

PROJECT NO. B-3877  
 NASH COUNTY  
 STATION: 25+80.65 -L-

SHEET 2 OF 4

STATE OF NORTH CAROLINA  
 DEPARTMENT OF TRANSPORTATION  
 RALEIGH

BRIDGE APPROACH SLAB  
 FOR FLEXIBLE PAVEMENT  
 WITH BARRIER RAIL



| REVISIONS |     |       |     |     |       | SHEET NO.    |
|-----------|-----|-------|-----|-----|-------|--------------|
| NO.       | BY: | DATE: | NO. | BY: | DATE: | TOTAL SHEETS |
| 1         |     |       | 3   |     |       | 33           |
| 2         |     |       | 4   |     |       |              |