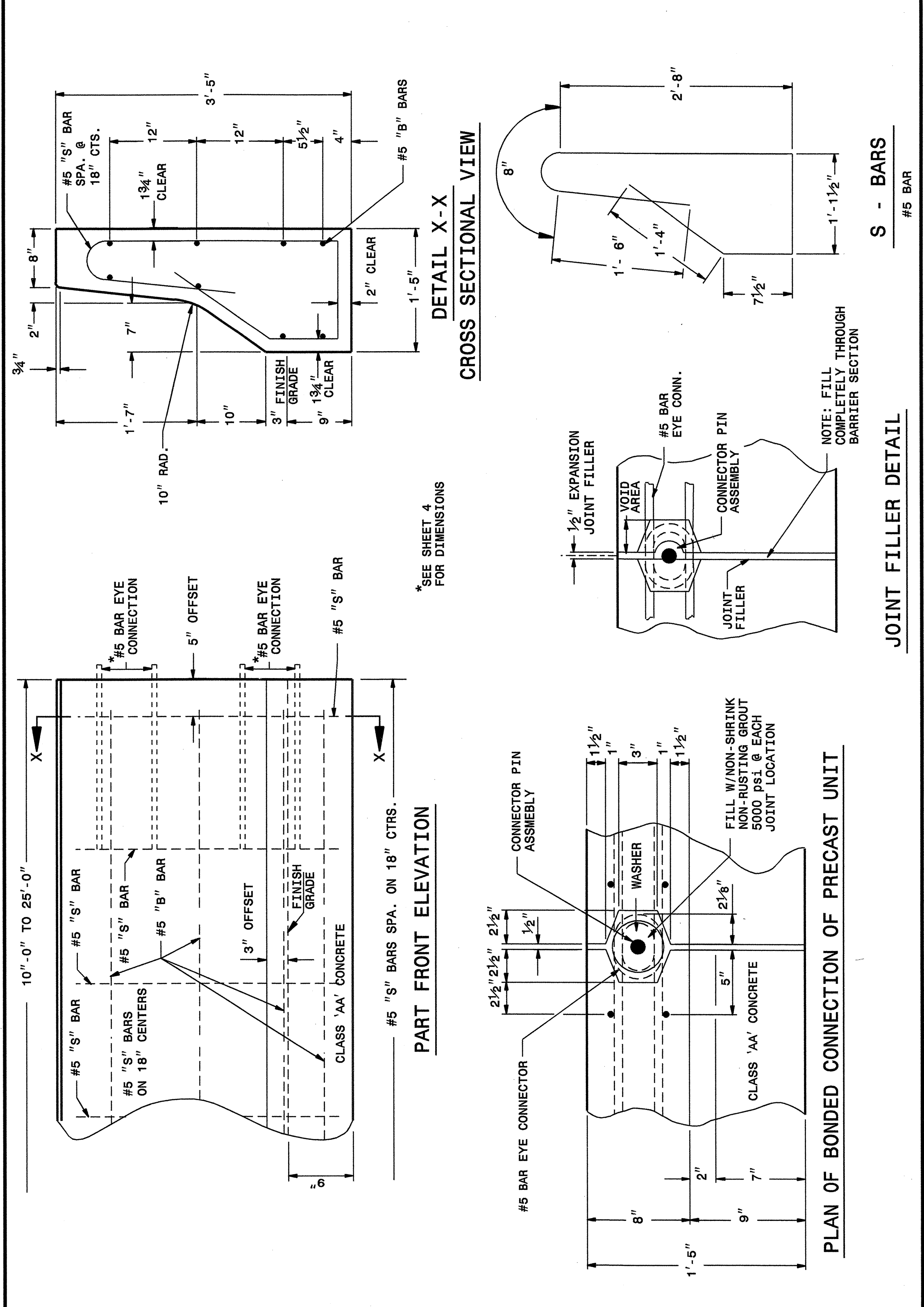


STATE OF NORTH CAROLINA DEPT. OF TRANSPORTATION DIVISION OF HIGHWAYS RALEIGH, N.C.

ENGLISH DETAIL DRAWING FOR PRECAST REINFORCED CONCRETE BARRIER 41" SINGLE FACED

SHEET 5 OF 8 **857D01**



STATE OF NORTH CAROLINA DEPT. OF TRANSPORTATION DIVISION OF HIGHWAYS RALEIGH, N.C.

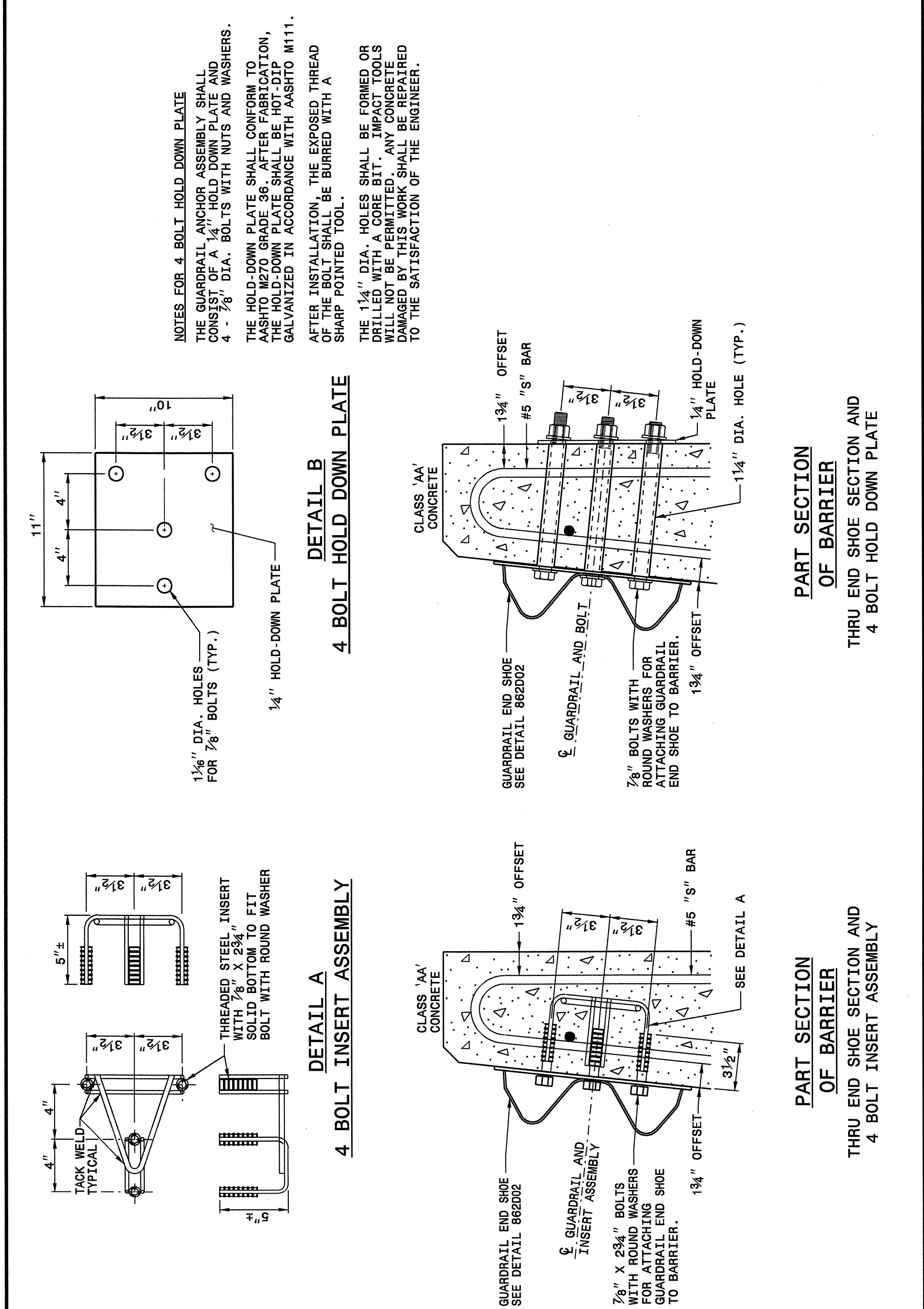
ENGLISH DETAIL DRAWING FOR PRECAST REINFORCED CONCRETE BARRIER 41" SINGLE FACED

SHEET 5 OF 8 **857D01**

STATE OF NORTH CAROLINA DEPT. OF TRANSPORTATION DIVISION OF HIGHWAYS RALEIGH, N.C.

ENGLISH DETAIL DRAWING FOR PRECAST REINFORCED CONCRETE BARRIER 41" SINGLE FACED

SHEET 6 OF 8 **857D01**



STATE OF NORTH CAROLINA DEPT. OF TRANSPORTATION DIVISION OF HIGHWAYS RALEIGH, N.C.

ENGLISH DETAIL DRAWING FOR PRECAST REINFORCED CONCRETE BARRIER 41" SINGLE FACED

SHEET 6 OF 8 **857D01**

S:\nrc\pds\stds\02\stds to Special Details\english\857d01\857d01.dgn
 1/18/05 10:51:05 AM
 eriverd

PROJECT SERVICES UNIT
 STANDARDS AND SPECIAL DESIGN
 Office 919-250-4128 FAX 919-250-4119

SEE PLATE FOR TITLE

ORIGINAL BY: 2002 STD.857.01 DATE:
 MODIFIED BY: E.E. WARD DATE: 4-14-05
 CHECKED BY: J. Gals DATE: 4/15/05
 FILE SPEC.: \\nrc\stds\02\stds\stds\english\857d01\857d01.dgn