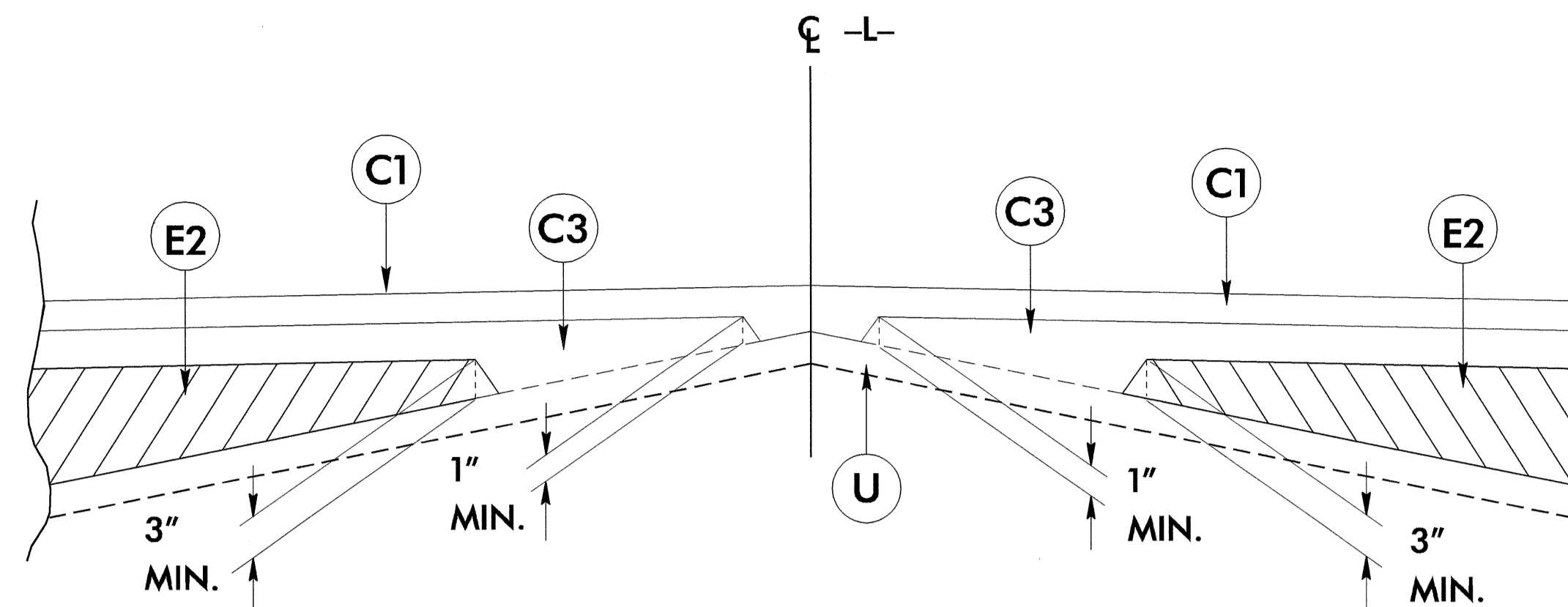


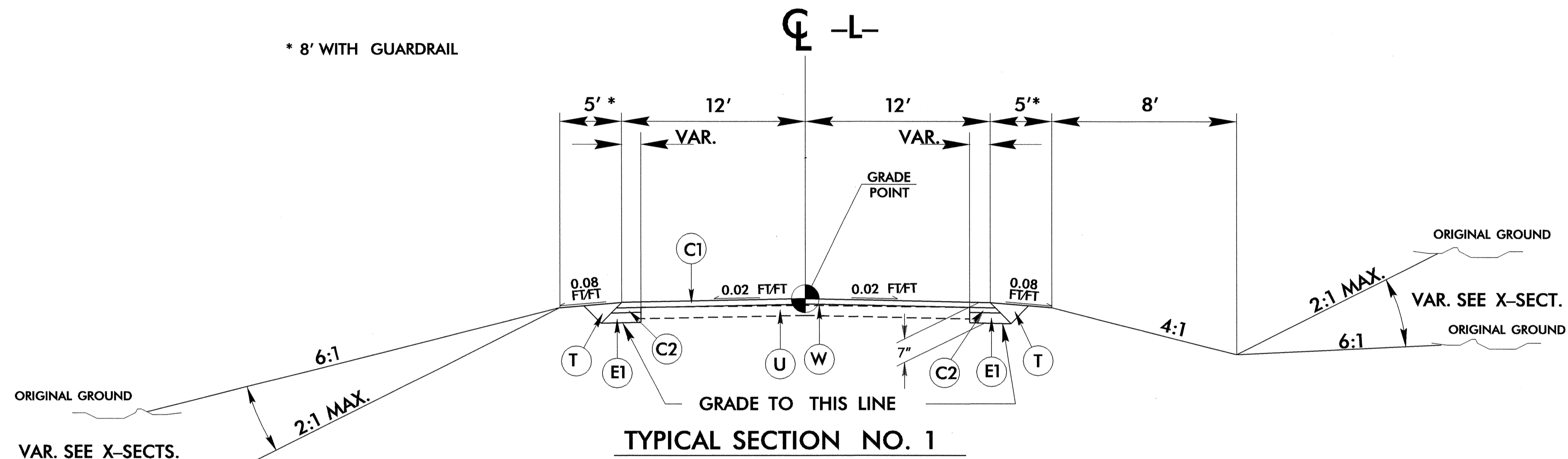
FINAL PAVEMENT SCHEDULE	
C1	PROP. APPROX. 1.25" ASPHALT CONCRETE SURFACE COURSE, TYPE SF9.5A, AT AN AVERAGE RATE OF 137.5 LBS. PER SQ. YD.
C2	PROP. APPROX. 2.5" ASPHALT CONCRETE SURFACE COURSE, TYPE SF9.5A, TO BE PLACED IN EACH OF TWO LAYERS, AT AN AVERAGE RATE OF 137.5 LBS PER SQ. YD. PER 1 1/4" DEPTH
C3	PROP. VAR. DEPTH ASPHALT CONCRETE SURFACE COURSE, TYPE SF9.5A, AT AN AVERAGE RATE OF 110 LBS. PER SQ. YD. PER 1" DEPTH, TO BE PLACED IN LAYERS NOT TO EXCEED 1 1/2" IN DEPTH
E1	PROP. APPROX. 4.5" ASPHALT CONCRETE BASE COURSE, TYPE B25.0B, AT AN AVERAGE RATE OF 513 LBS. PER SQ. YD.
E2	PROP. VAR. DEPTH ASPHALT CONCRETE BASE COURSE, TYPE B25.0B, AT AN AVERAGE RATE OF 114 LBS. PER SQ. YD. PER 1" DEPTH, TO BE PLACED IN LAYERS NOT LESS THAN 3" IN DEPTH OR GREATER THAN 5 1/2" IN DEPTH.
J	PROP. 4" OF INCIDENTAL STONE BASE
R	SHOULDER BERM GUTTER
U	EXISTING PAVEMENT.
T	EARTH MATERIAL.
W	WEDGING SEE DETAIL THIS SHEET

NOTE: PAVEMENT EDGE SLOPES ARE 1:1 UNLESS OTHERWISE NOTED



Detail Showing Method of Wedging

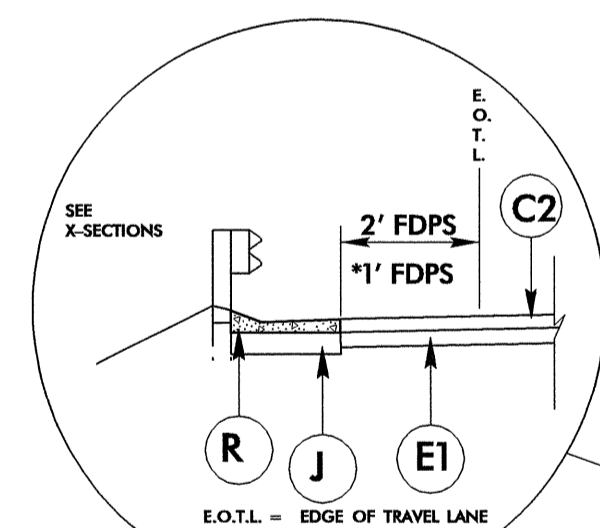
* 8' WITH GUARDRAIL



TYPICAL SECTION NO. 1

USE TYPICAL SECTION NO. 1 AT THE FOLLOWING LOCATIONS

- L- STA. 10+00 TO STA. 12+88.24
- L- STA. 24+75 TO STA. 27+62.17

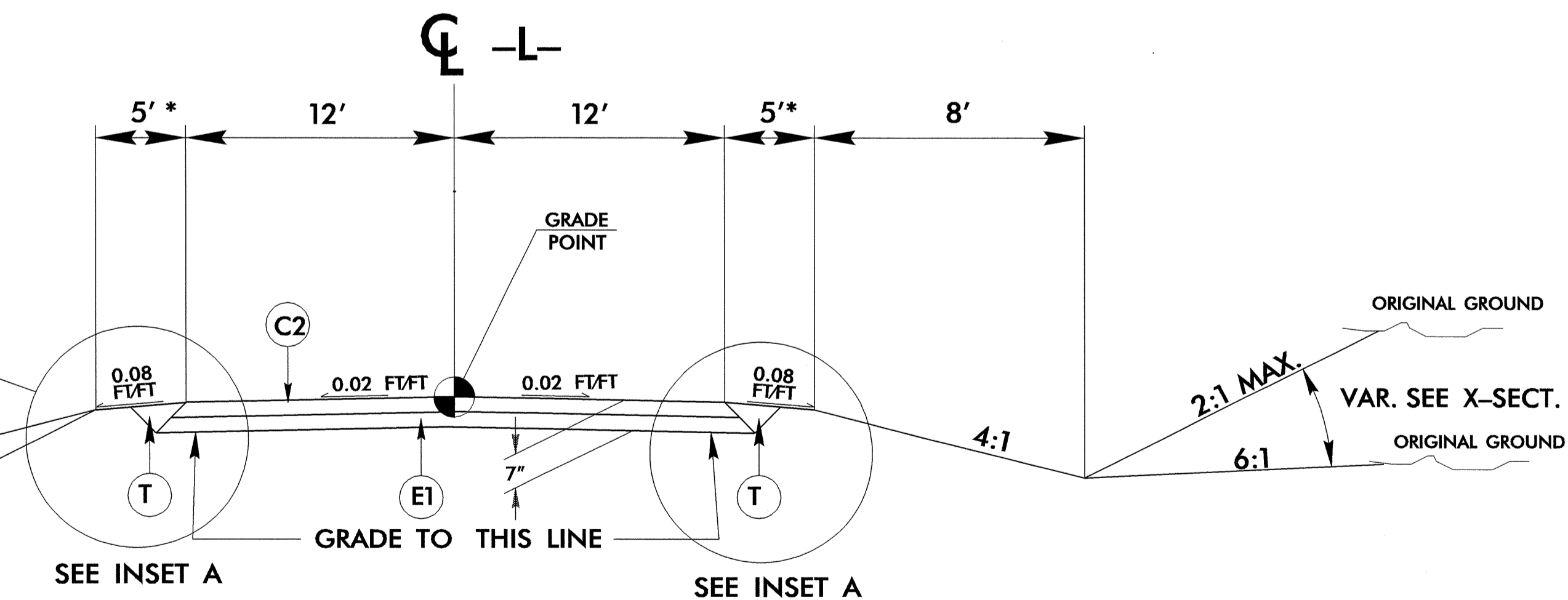


INSET A

- L- STA. 13+80 TO 15+90 LT
- L- STA. 18+20 TO 19+50 LT
- *-L- STA. 18+20 TO 19+50 RT

ORIGINAL GROUND
VAR. SEE X-SECTS.

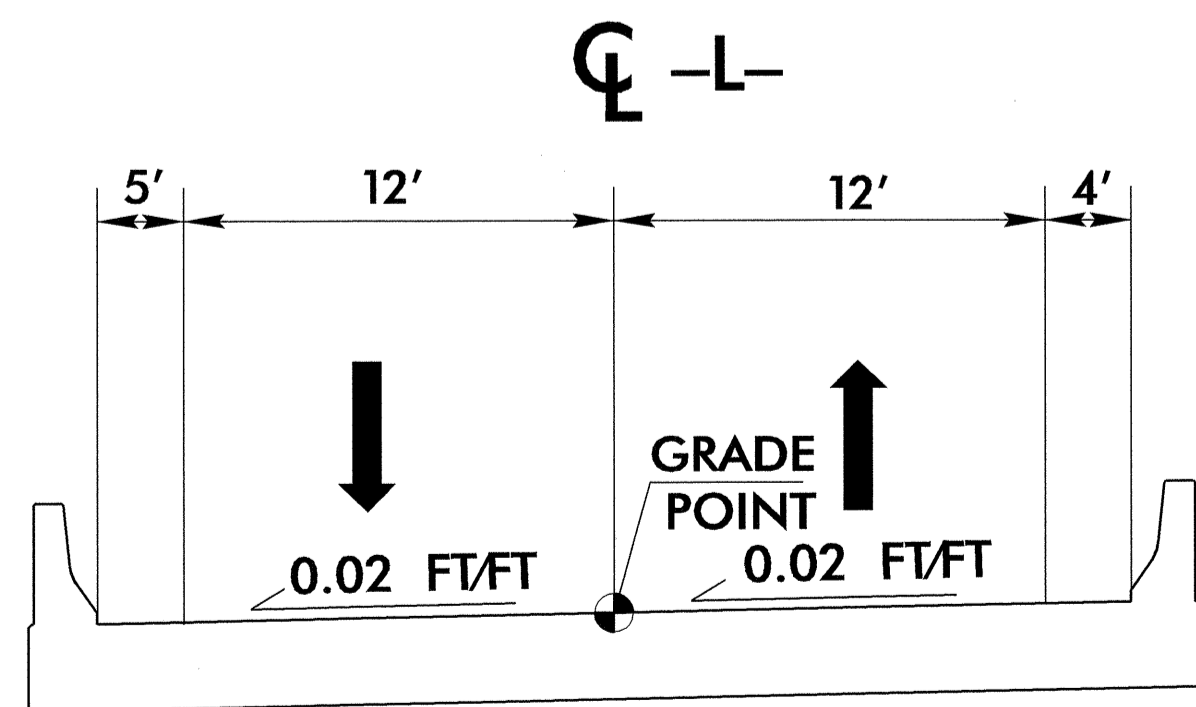
ORIGINAL GROUND



TYPICAL SECTION NO. 2

USE TYPICAL SECTION NO. 2 AT THE FOLLOWING LOCATIONS

- L- STA 12+88.24 TO STA. 16+15 (BEG. BRIDGE)
- L- STA. 17+95 (END BRIDGE) TO STA. 24+75



TYPICAL SECTION ON STRUCTURE

- L- STA 16+15 TO -L- STA. 17+95