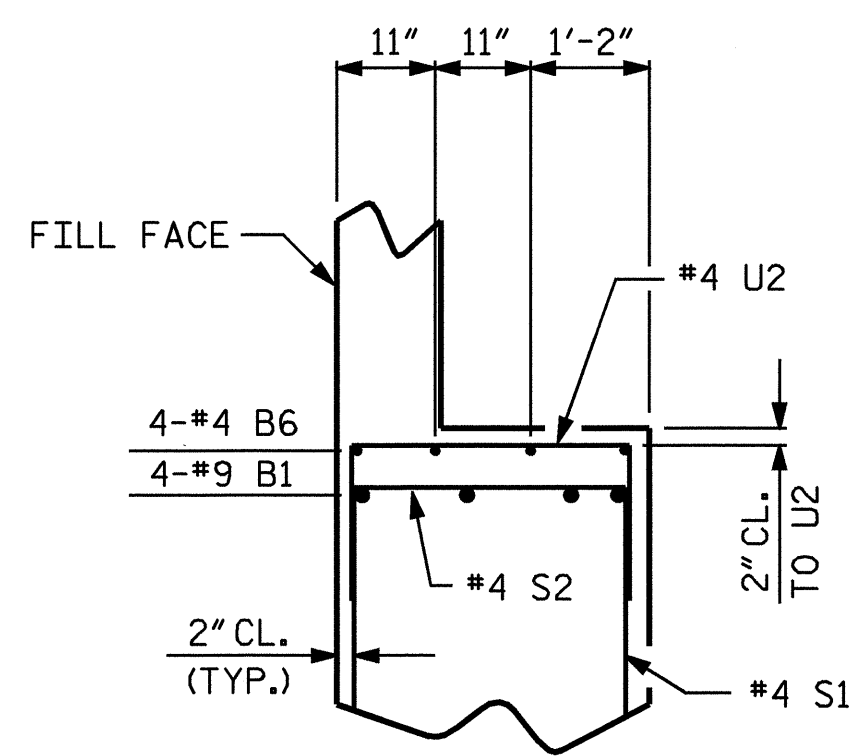
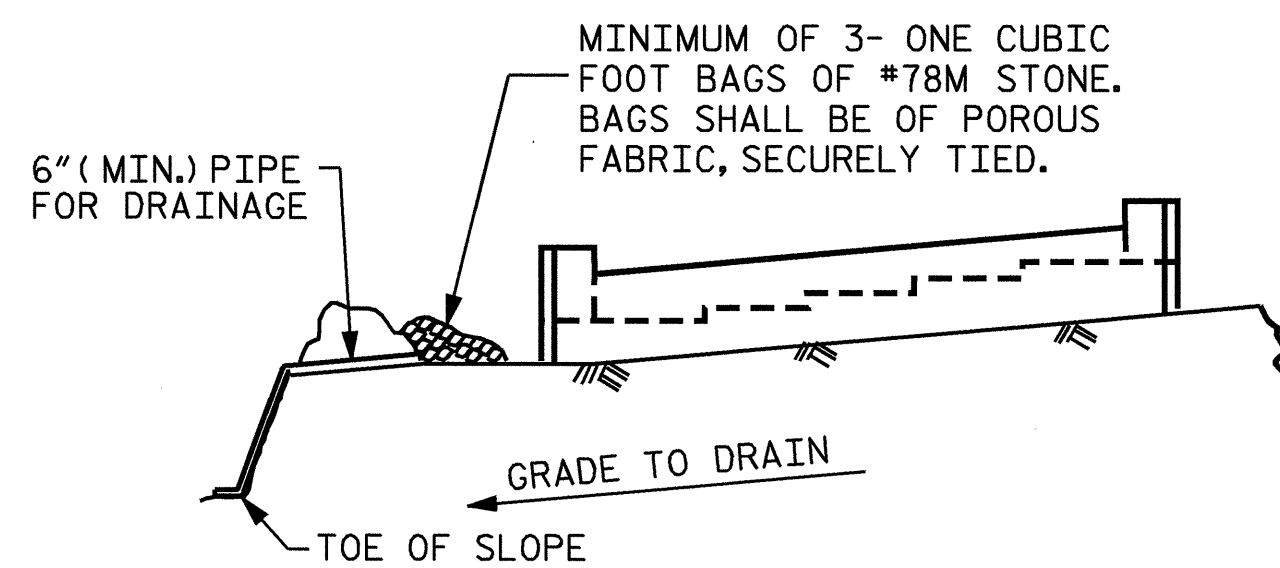


SECTION A-A



PARTIAL SECTION B-B



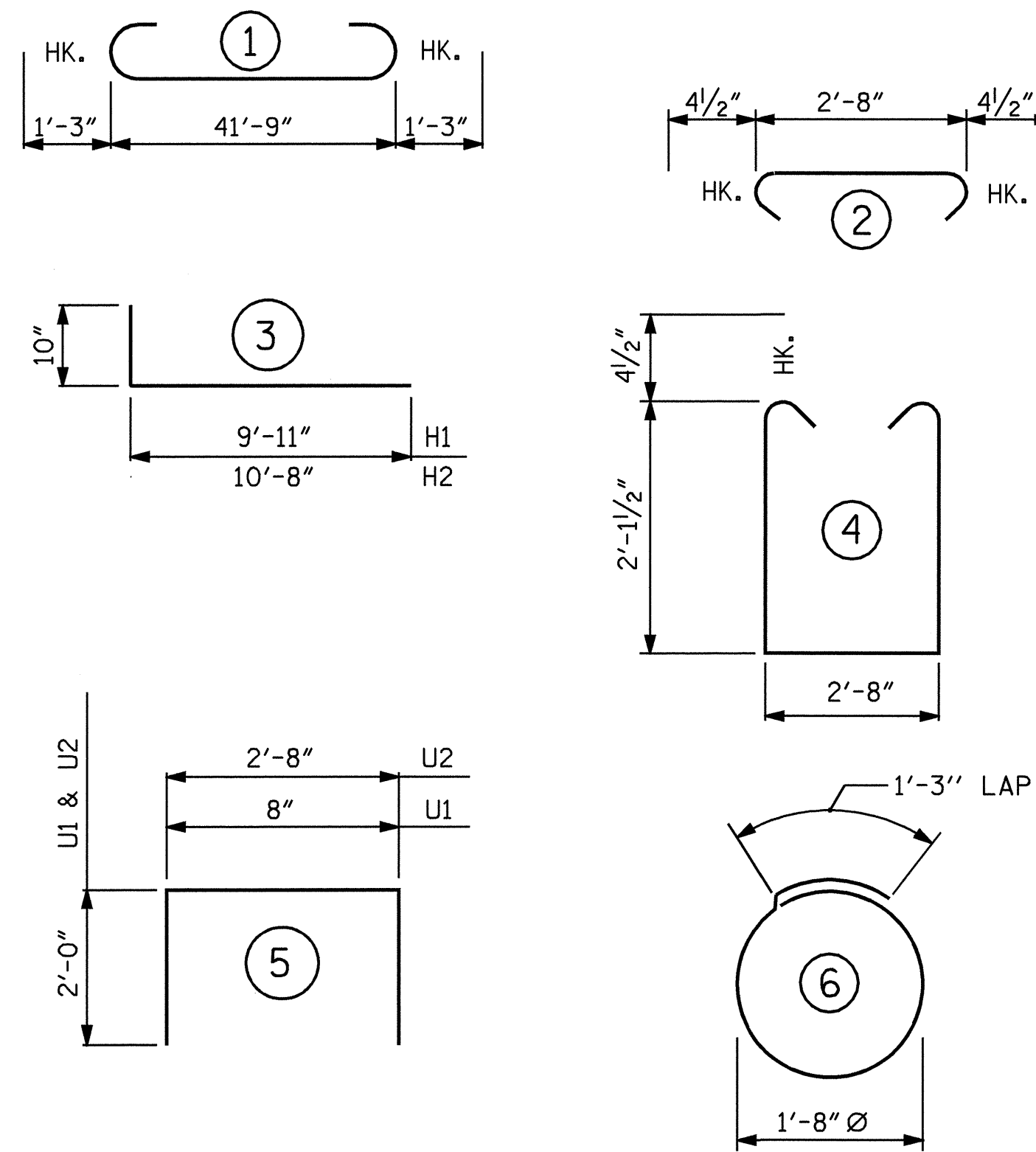
BAGGED STONE AND PIPE SHALL BE PLACED IMMEDIATELY AFTER COMPLETION OF END BENT EXCAVATION. PIPE MAY BE EITHER CONCRETE, CORRUGATED STEEL, CORRUGATED ALUMINUM ALLOY, OR CORRUGATED PLASTIC. PERFORATED PIPE WILL NOT BE ALLOWED.

BAGGED STONE SHALL REMAIN IN PLACE UNTIL THE ENGINEER DIRECTS THAT IT BE REMOVED. THE CONTRACTOR SHALL REMOVE AND DISPOSE OF SILT ACCUMULATIONS AT BAGGED STONE WHEN SO DIRECTED BY THE ENGINEER. BAGS SHALL BE REMOVED AND REPLACED WHENEVER THE ENGINEER DETERMINES THAT THEY HAVE DETERIORATED AND LOST THEIR EFFECTIVENESS.

NO SEPARATE PAYMENT WILL BE MADE FOR THIS WORK AND THE ENTIRE COST OF THIS WORK SHALL BE INCLUDED IN THE UNIT CONTRACT PRICE BID FOR THE SEVERAL PAY ITEMS.

TEMPORARY DRAINAGE AT END BENT

BAR TYPES



ALL BAR DIMENSIONS ARE OUT TO OUT.

BILL OF MATERIAL

END BENT No. 1

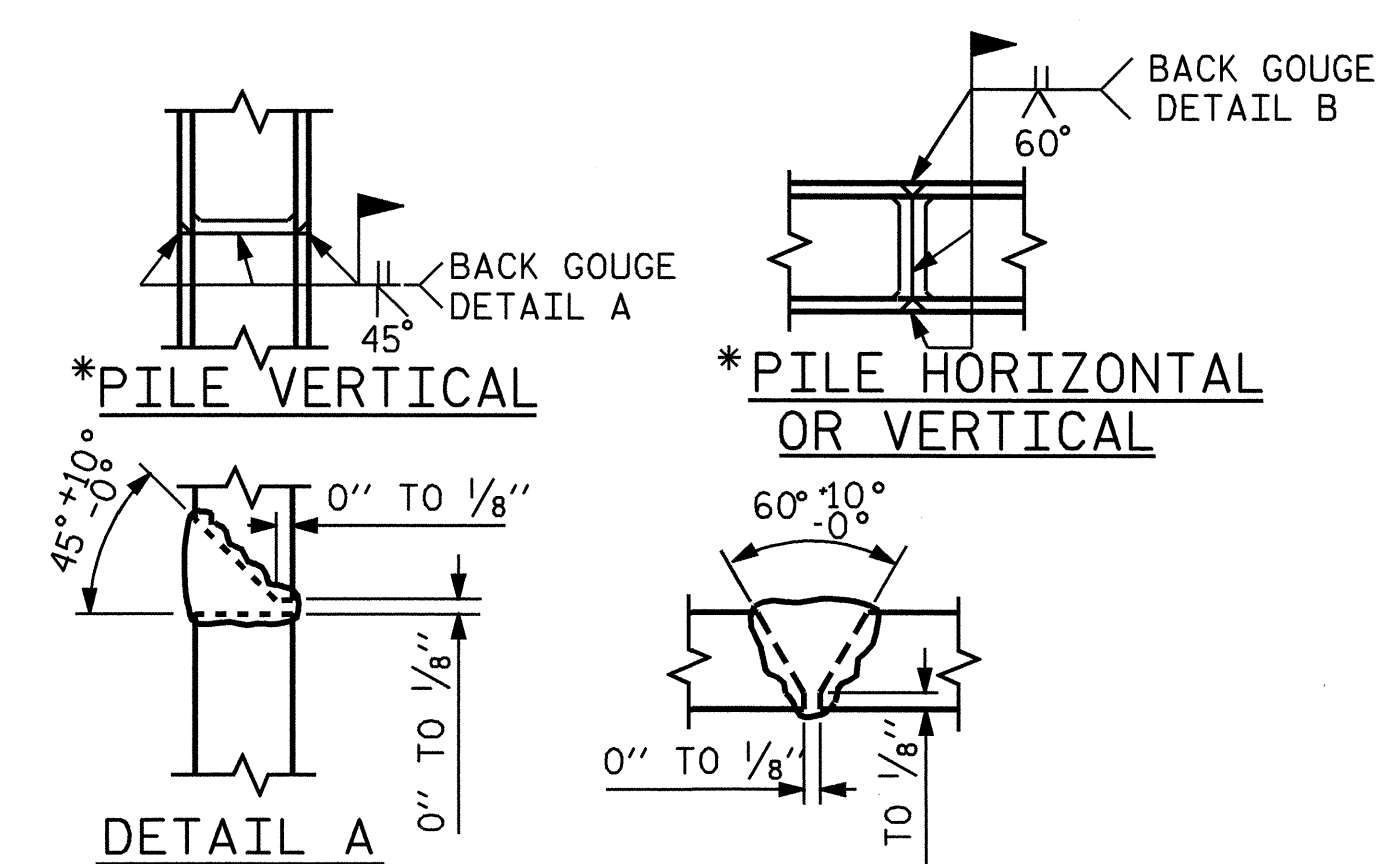
BAR	NO.	SIZE	TYPE	LENGTH	WEIGHT
B1	8	9	1	44'-3"	1204
B2	8	4	STR	22'-2"	118
B3	4	5	STR	41'-11"	175
B4	10	4	STR	2'-8"	18
B5	4	4	STR	3'-3"	9
B6	4	4	STR	17'-9"	47
H1	18	5	3	10'-9"	202
H2	20	5	3	11'-6"	240
K1	20	4	STR	22'-2"	296
K2	8	4	STR	2'-7"	14
S1	34	4	4	7'-8"	174
S2	34	4	2	3'-5"	78
S3	18	4	6	6'-6"	78
U1	37	4	5	4'-8"	115
U2	15	4	5	6'-8"	67
V1	74	5	STR	6'-7"	508
V2	28	5	STR	7'-10"	229
V3	30	5	STR	8'-6"	266

REINFORCING STEEL (LBS.) 3838

CLASS A CONCRETE BREAKDOWN

POUR #1 (CAP & LOWER WINGS)	14.9 C.Y.
POUR #2 (BACKWALL & UPPER WINGS)	11.6 C.Y.
TOTAL CLASS A CONCRETE	26.5 C.Y.

HP 12 x 53 STEEL PILES
NO. = 9 LIN. FEET = 225



* POSITION OF PILE DURING WELDING. DETAIL B

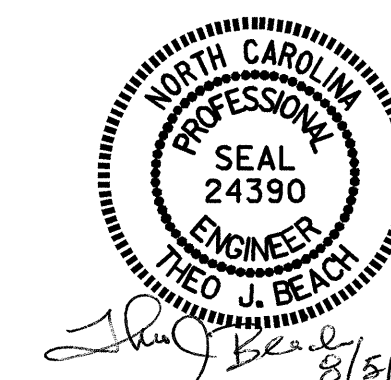
PILE SPLICE DETAILS

PROJECT NO. B-4044
BURKE COUNTY
STATION: 17+05.00 -L-

SHEET 3 OF 3

STATE OF NORTH CAROLINA
DEPARTMENT OF TRANSPORTATION
RALEIGH

SUBSTRUCTURE
END BENT No. 1



DRAWN BY: P.E. LACKEY DATE: 1/05
CHECKED BY: S.B. WILLIAMS DATE: 5/05

05-AUG-2005 09:24
R:\STRUCT\B4044\PAULLA\MICROS\B-4044\Q.DGN
nplerc

REVISIONS						SHEET NO.
NO.	BY:	DATE:	NO.	BY:	DATE:	S-21
1			3			TOTAL SHEETS
2			4			35

NC003