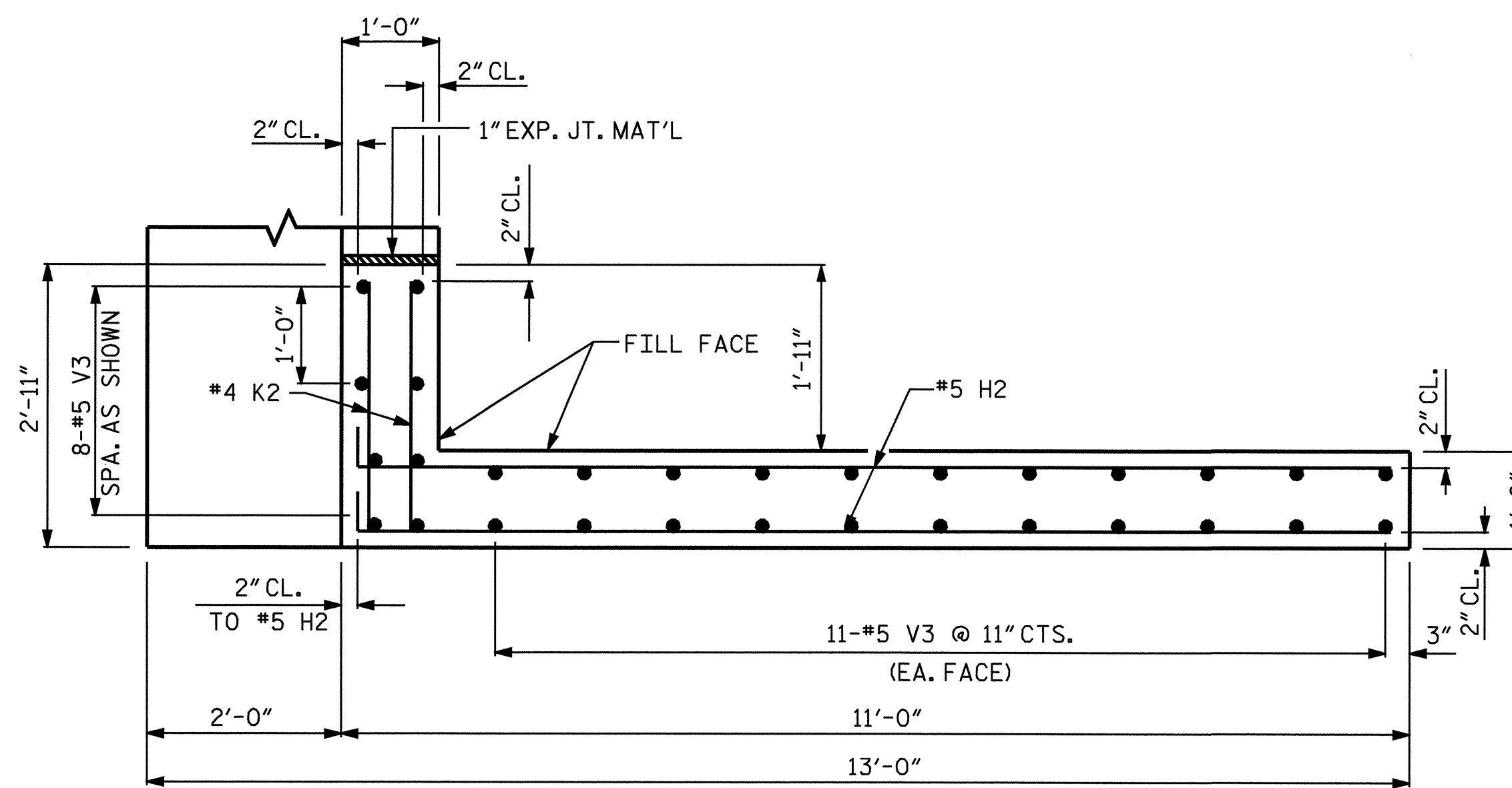
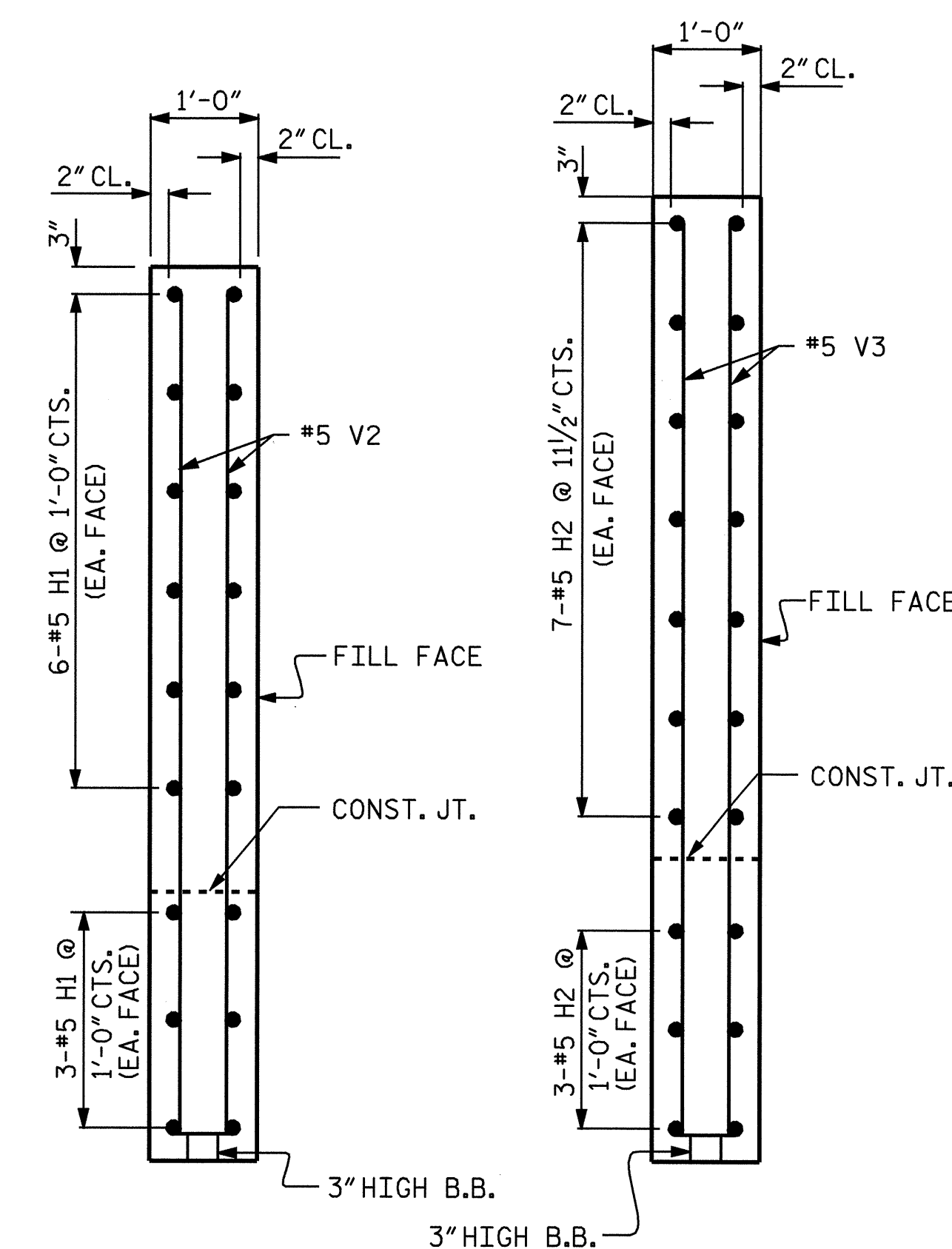


PLAN OF WING (W1)

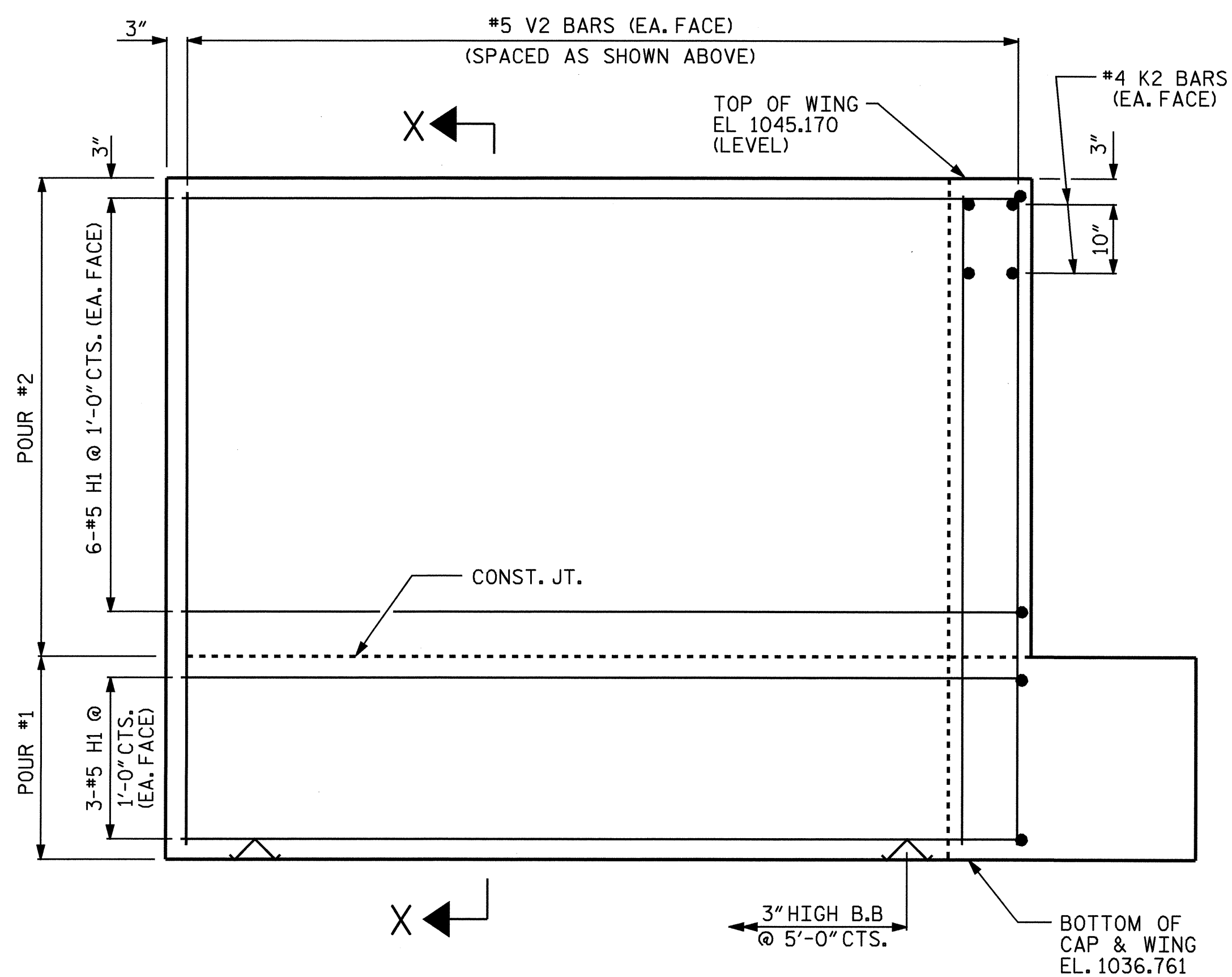


PLAN OF WING (W2)

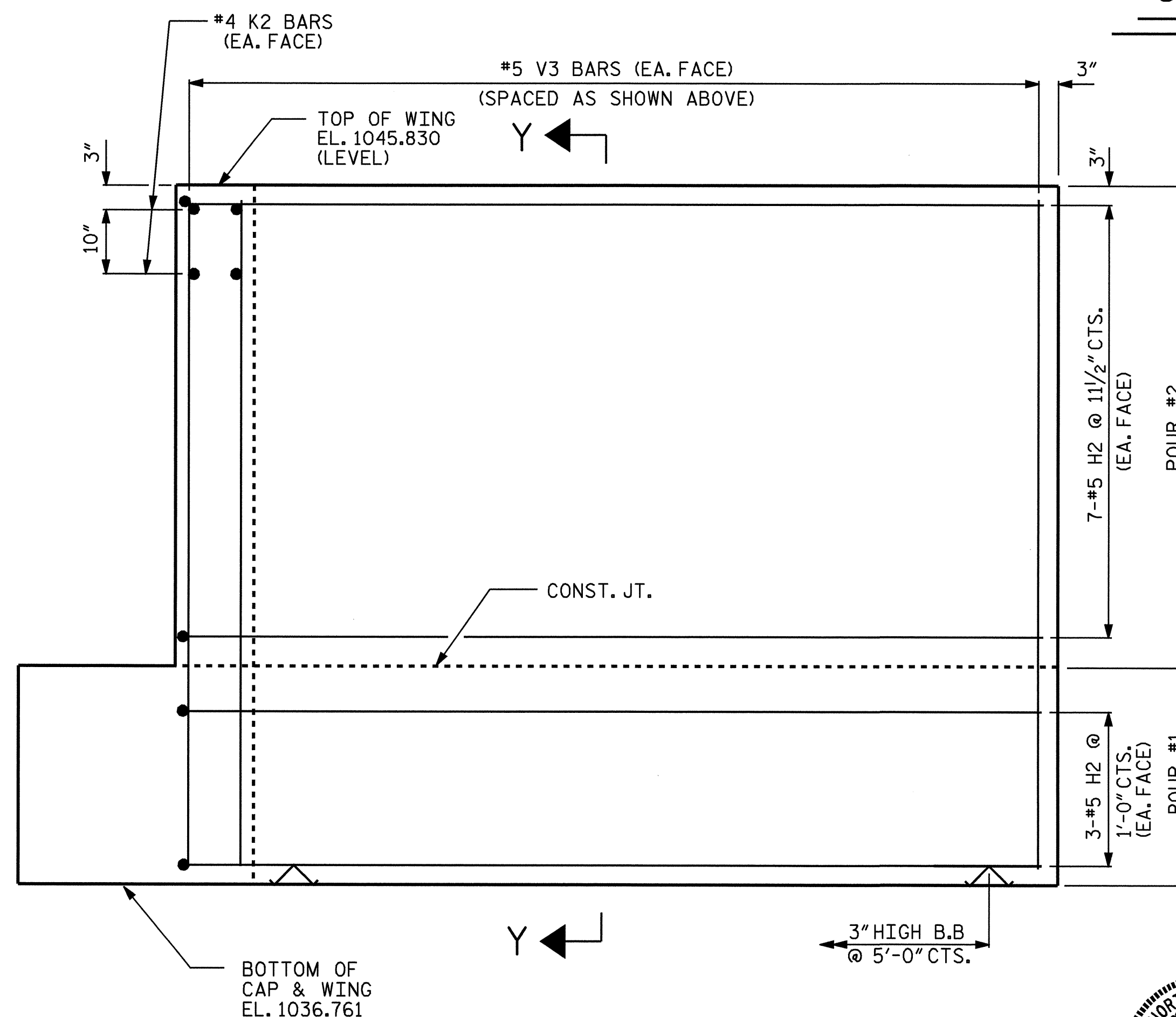


SECTION X-X

SECTION Y-Y



ELEVATION OF WING (W1)



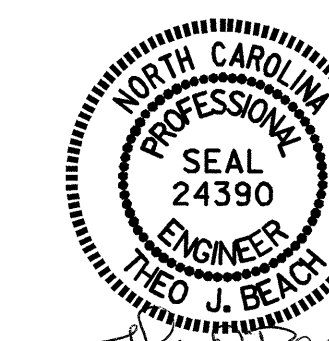
ELEVATION OF WING (W2)

PROJECT NO. B-4044  
 BURKE COUNTY  
 STATION: 17+05.00 -L-

SHEET 2 OF 3

STATE OF NORTH CAROLINA  
 DEPARTMENT OF TRANSPORTATION  
 RALEIGH

SUBSTRUCTURE  
 END BENT No. 2



DRAWN BY: P.E. LACKEY DATE: 12/04  
 CHECKED BY: S.B. WILLIAMS DATE: 5/05

01-JUL-2005 10:25  
 R:\Structures\B4044\PaulLackey\Microstation\B-4044.ed.E\*.dgn  
 plackey

REVISIONS						SHEET NO.	
NO.	BY:	DATE:	NO.	BY:	DATE:	S-27	
1			3			TOTAL SHEETS 35	
2			4				

NCDD5