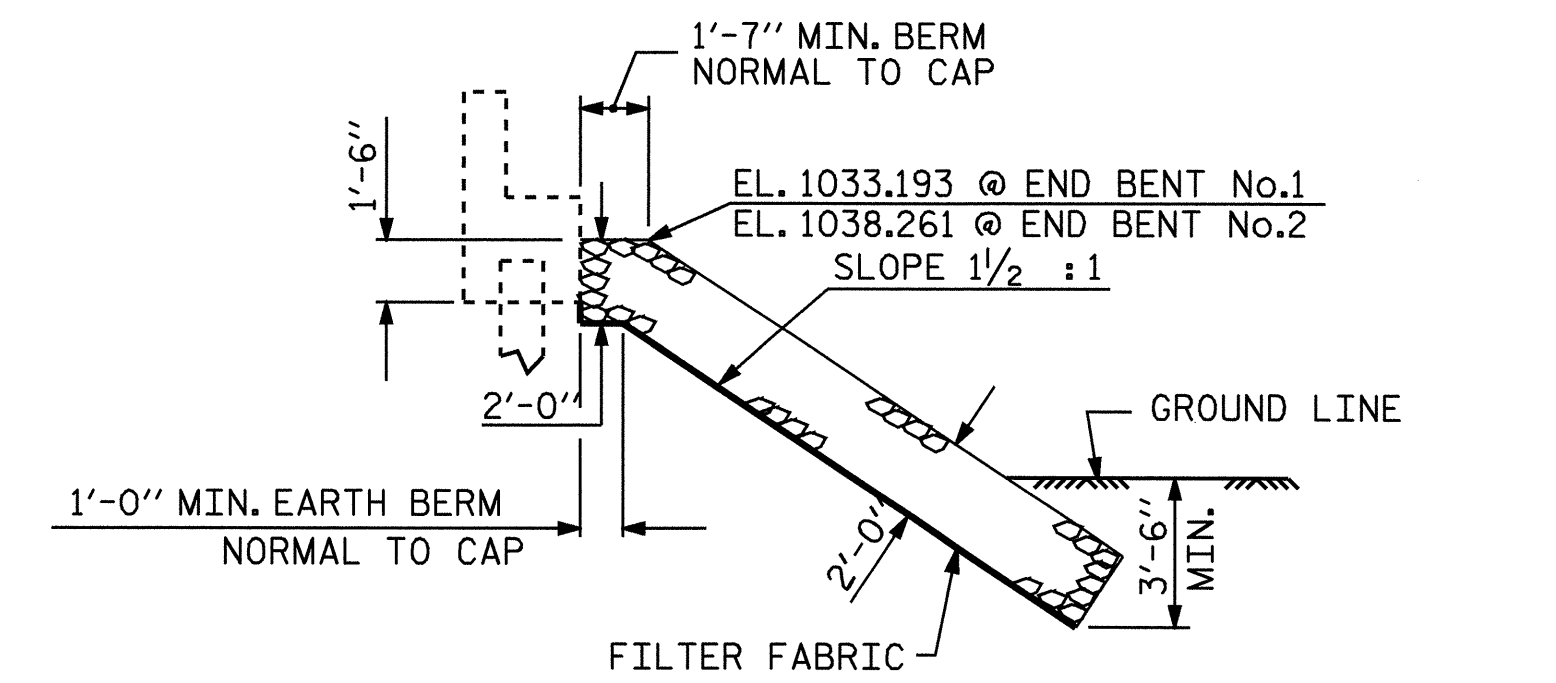
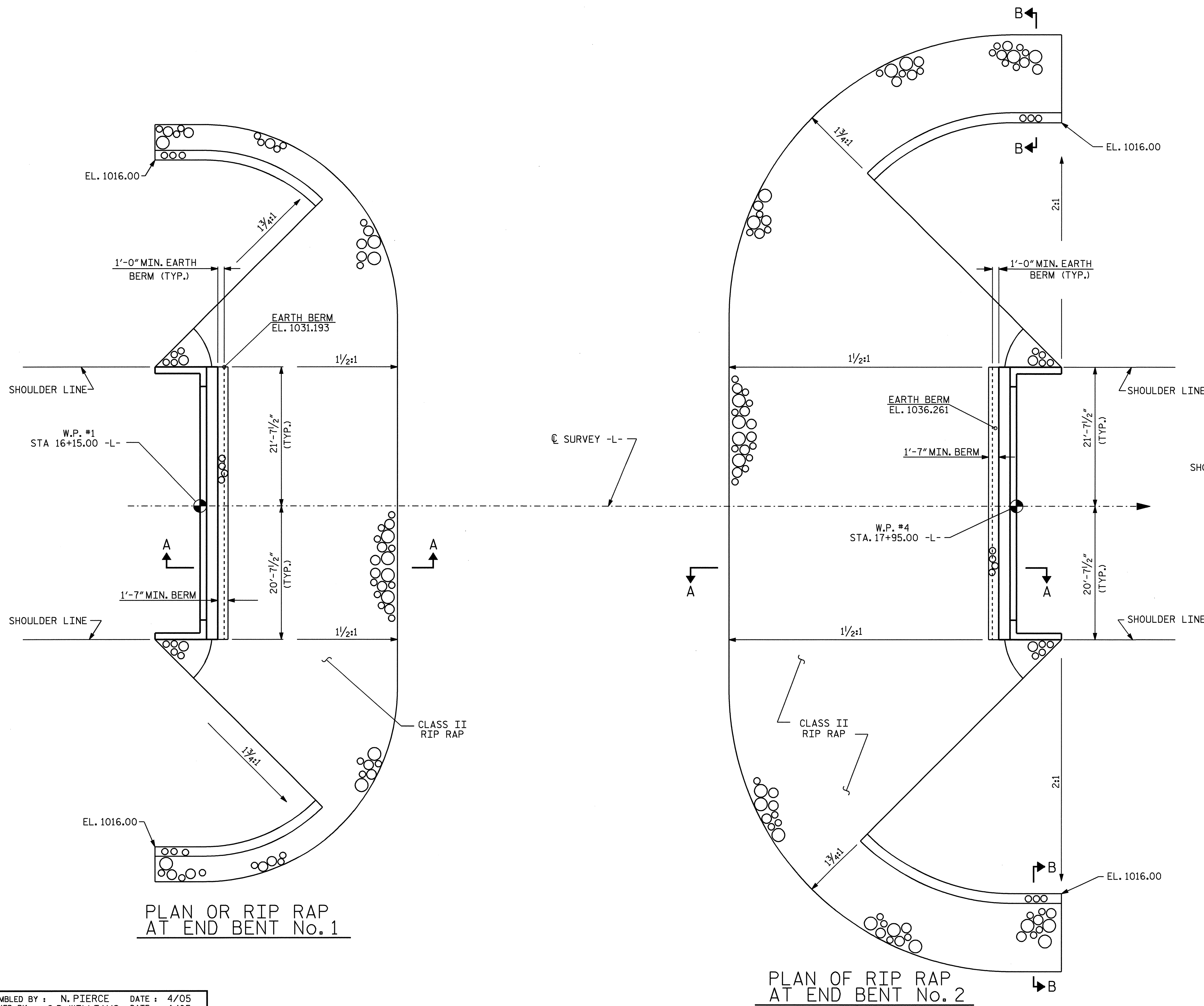
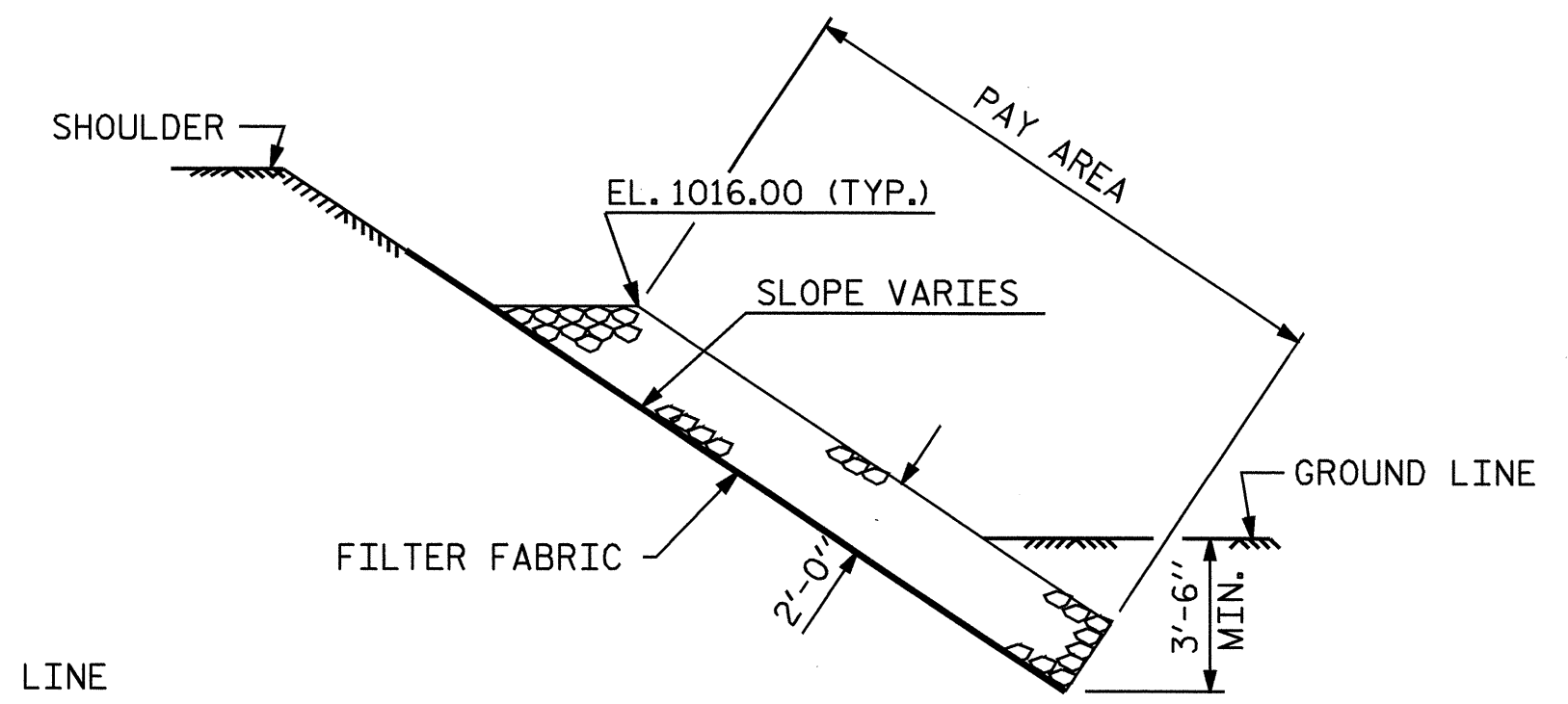


ESTIMATED QUANTITIES		
BRIDGE AT STA. 17+05.00 -L-	PLAIN RIP RAP CLASS II	FILTER FABRIC FOR DRAINAGE
	TONS	SQUARE YARDS
END BENT 1	304	338
END BENT 2	640	712



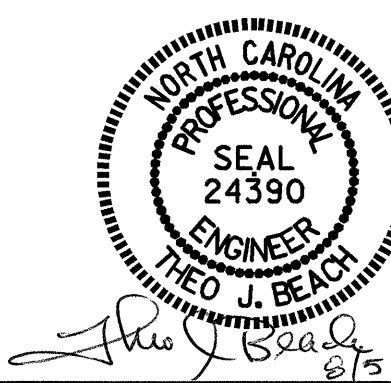
SECTION A-A



SECTION B-B

PROJECT NO. B-4044  
BURKE COUNTY  
 STATION: 17+05.00 -L-

STATE OF NORTH CAROLINA  
 DEPARTMENT OF TRANSPORTATION  
 RALEIGH  
 STANDARD  
 — RIP RAP DETAILS —



ASSEMBLED BY : N. PIERCE	DATE : 4/05
CHECKED BY : S.B. WILLIAMS	DATE : 4/05
DRAWN BY : FCJ 2/88	REV. 7/17/98 REK/RWW
CHECKED BY : ARB 8/88	REV. 8/16/99 RWW/LES
	REV. 10/17/00 RWW/LES

05-AUG-2005 09:24  
 R:\STRUCT\B4044\NPIerce\B4044\_02.DGN  
 nplerce

REVISIONS						SHEET NO.
NO.	BY:	DATE:	NO.	BY:	DATE:	S-29
1			3			TOTAL SHEETS
2			4			35