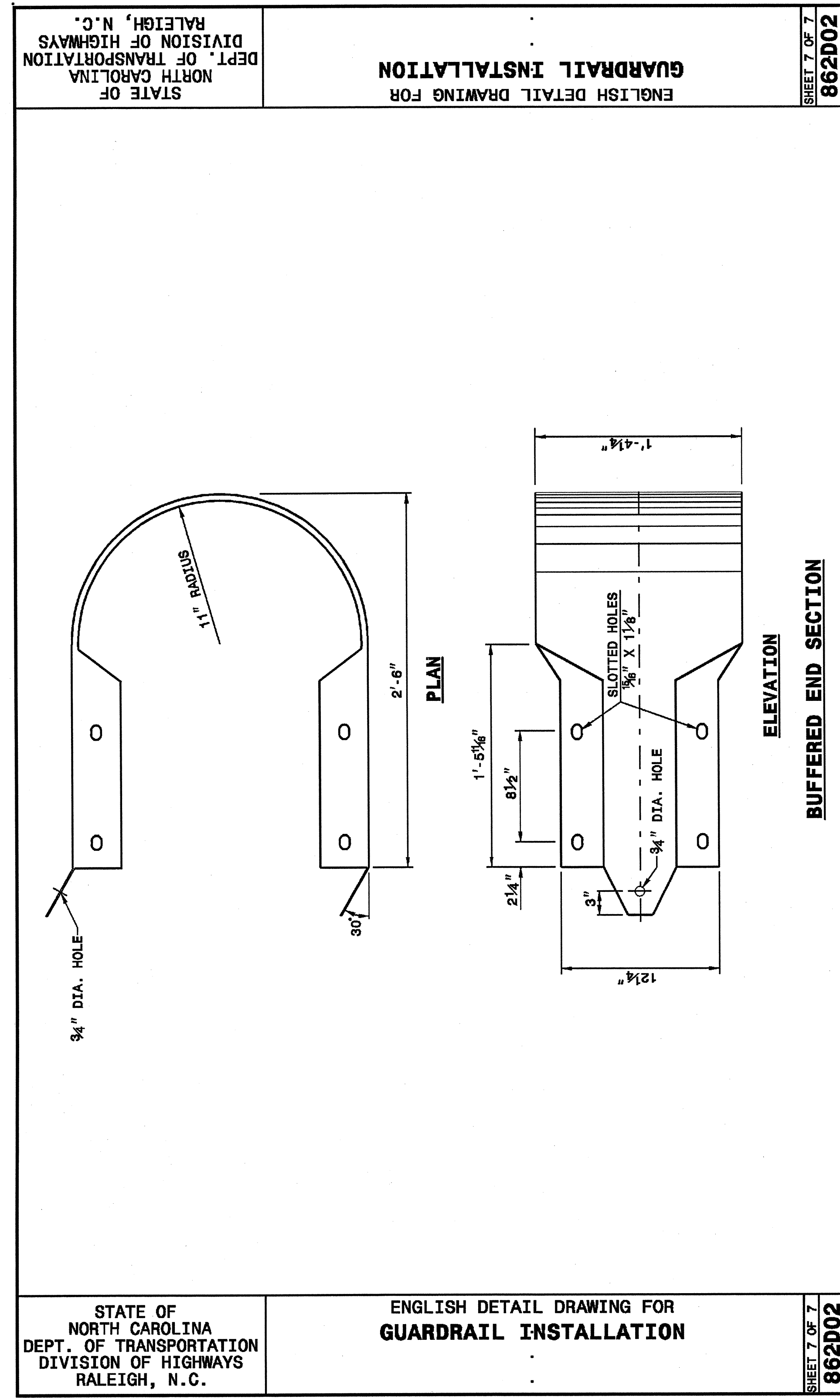


5/14/99

W:\MAY-2003\1452
 W:\Special Design\stds\02\stds to Special Details\english\86202\0862d02.dgn
 ericward AT DS18668



**DESIGN SERVICES UNIT
 STANDARDS AND SPECIAL DESIGN**
 Office 919-250-4128 FAX 919-250-4119

SEE PLATE FOR TITLE

ORIGINAL BY: 2002 STD.862.02 DATE:
 MODIFIED BY: E.E. WARD DATE: 02-09-03
 CHECKED BY: DATE:
 FILE SPEC.: /usr/stds/02tdetail/eng/186202/862d02.dgn