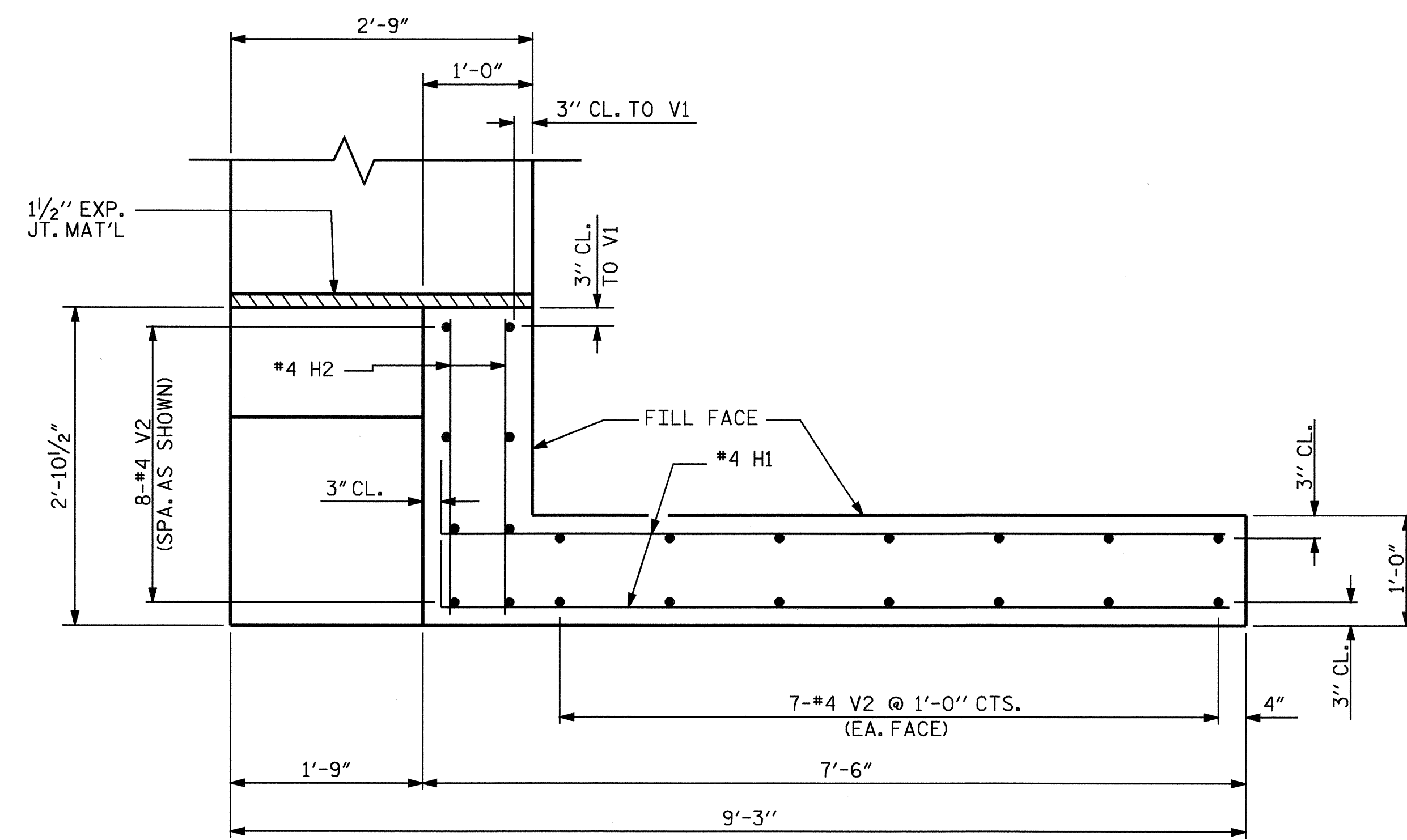
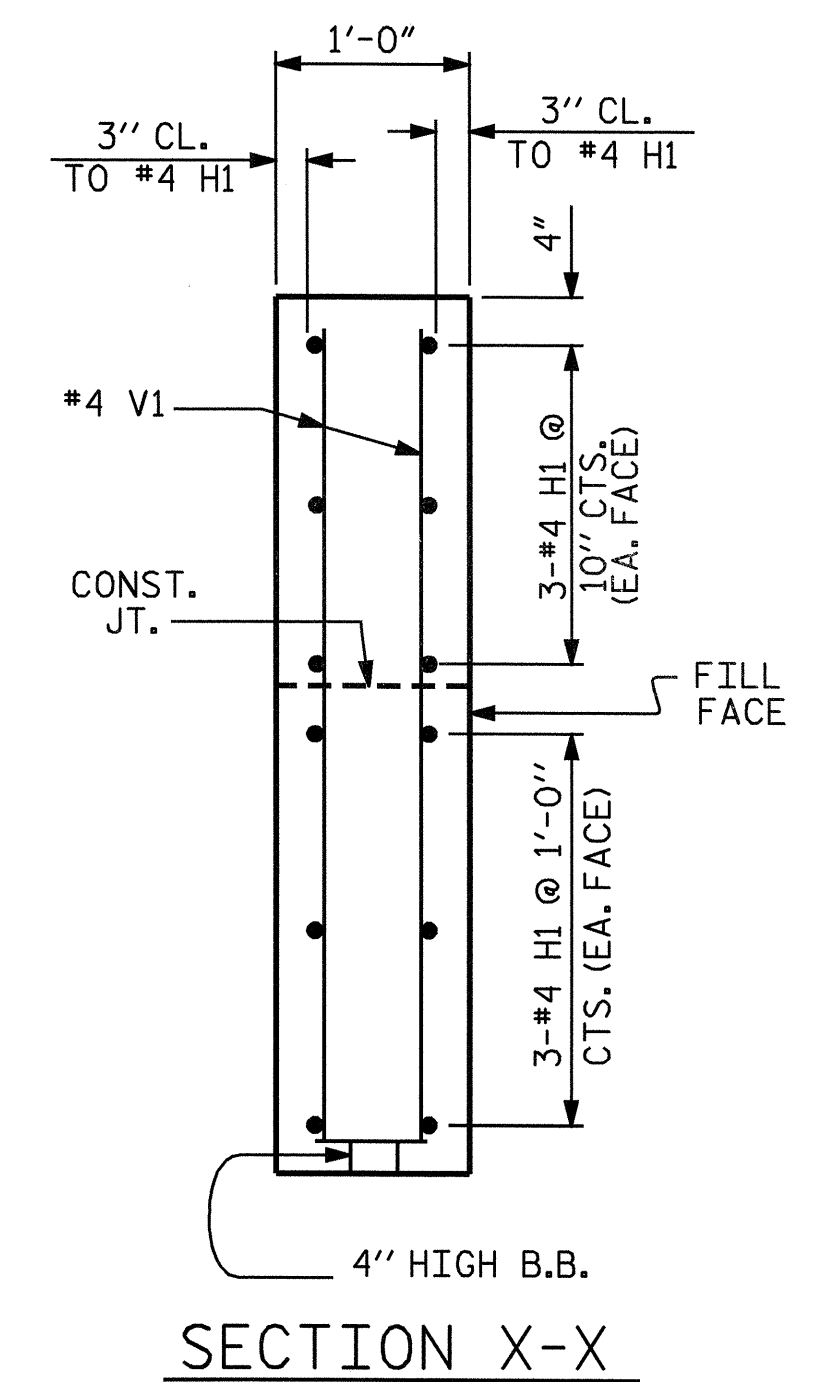


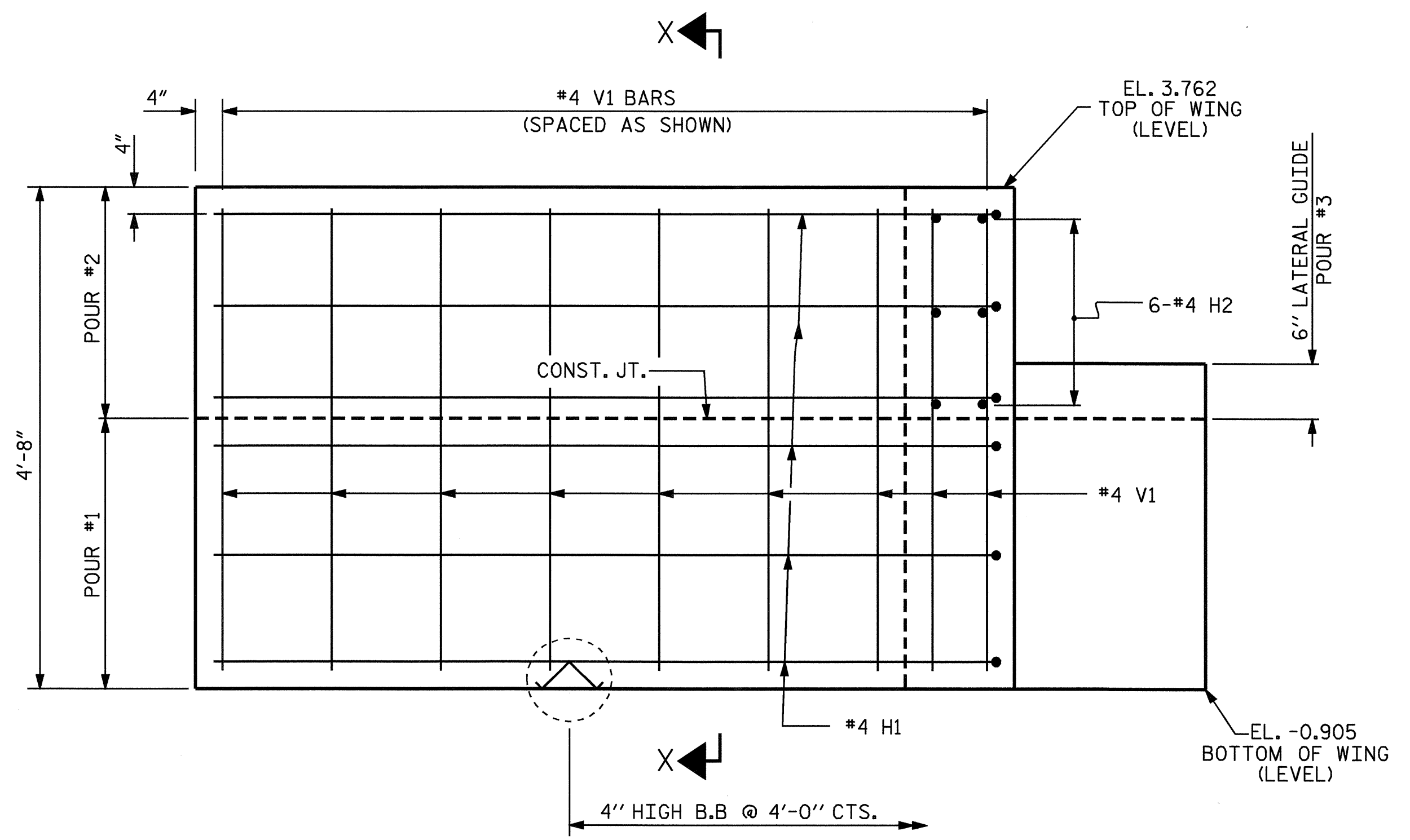
PLAN OF WING - W1



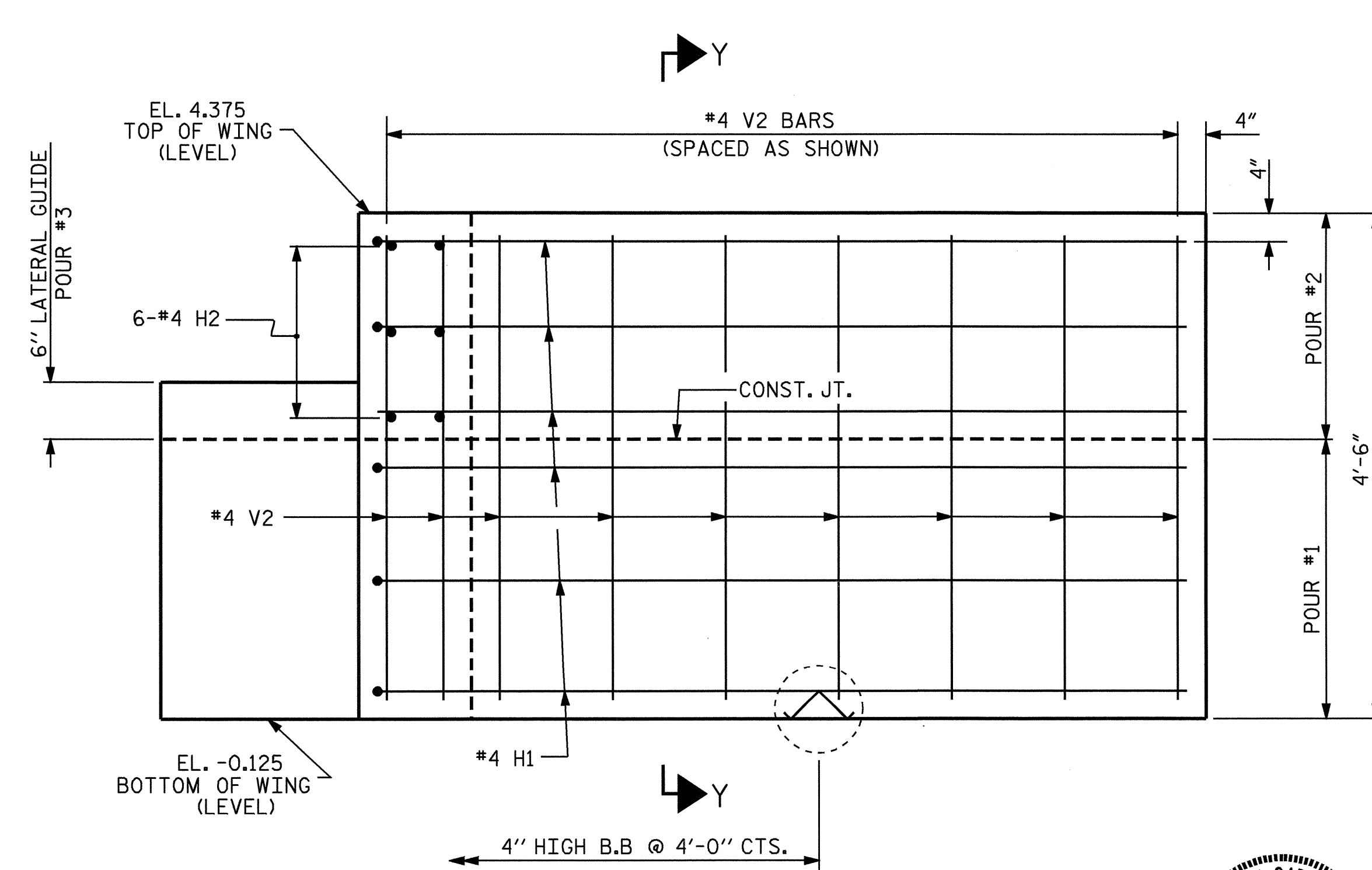
PLAN OF WING - W2



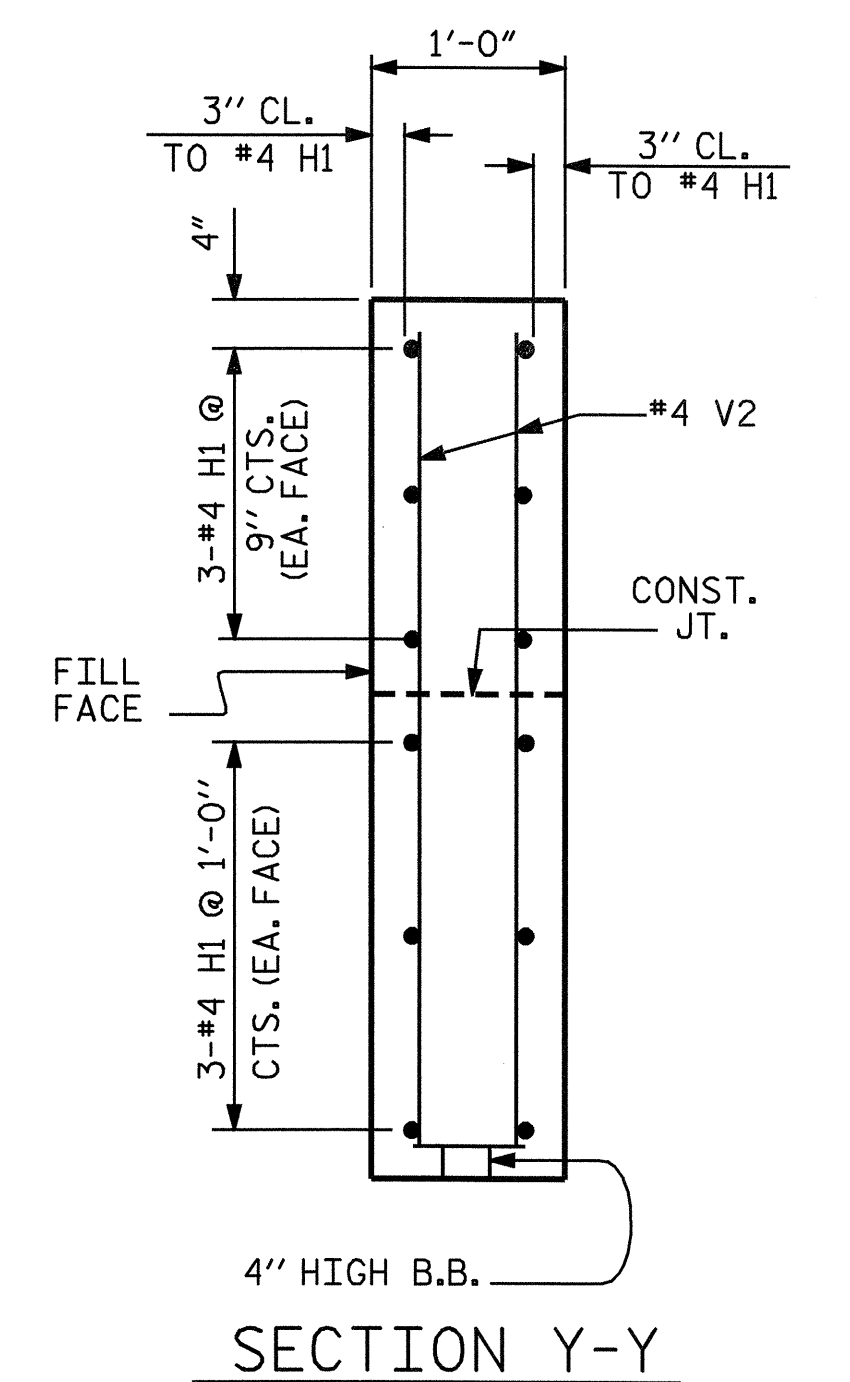
SECTION X-X



ELEVATION OF WING - W1



ELEVATION OF WING - W2



SECTION Y-Y

PROJECT NO. B-4222
PASQUOTANK COUNTY
 STATION: 11+27.00 -L-
 SHEET 2 OF 3

STATE OF NORTH CAROLINA DEPARTMENT OF TRANSPORTATION RALEIGH					
SUBSTRUCTURE END BENT 2					
REVISIONS					
NO.	BY:	DATE:	NO.	BY:	DATE:
1			3		
2			4		
					SHEET NO. S-15
					TOTAL SHEETS 20

DRAWN BY: J. LAMBERT DATE: 2/2004
 CHECKED BY: M. POOLE DATE: 7/2004

