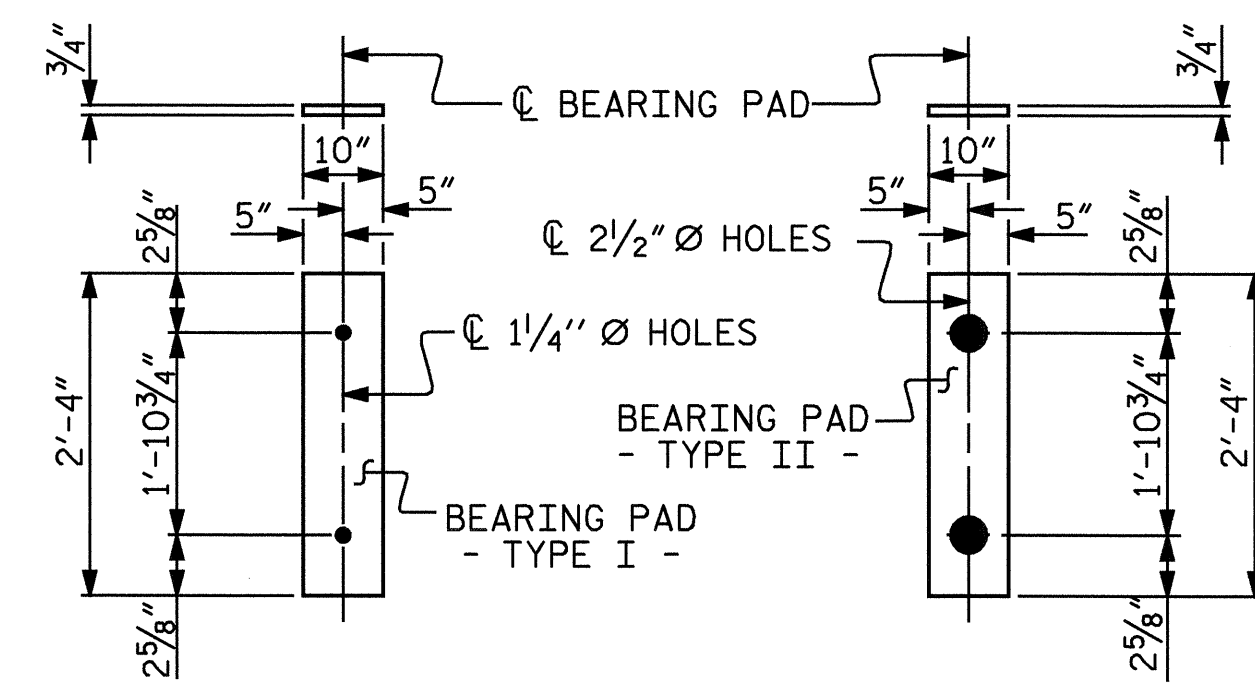


HALF-SECTION AT INTERMEDIATE DIAPHRAGMS

HALF-SECTION AT VOIDS

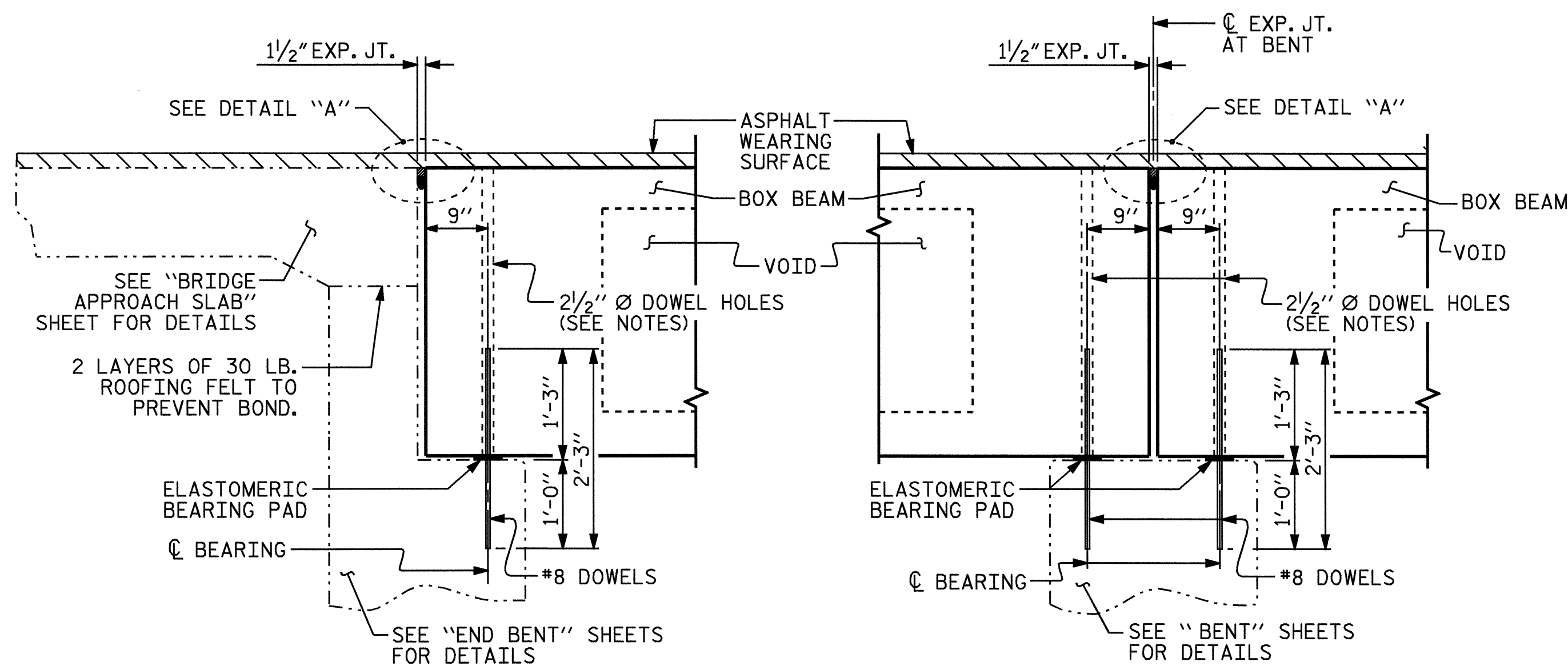
TYPICAL SECTION



FIXED END
(TYPE I - 24 REQ'D)

EXPANSION END
(TYPE II - 24 REQ'D)

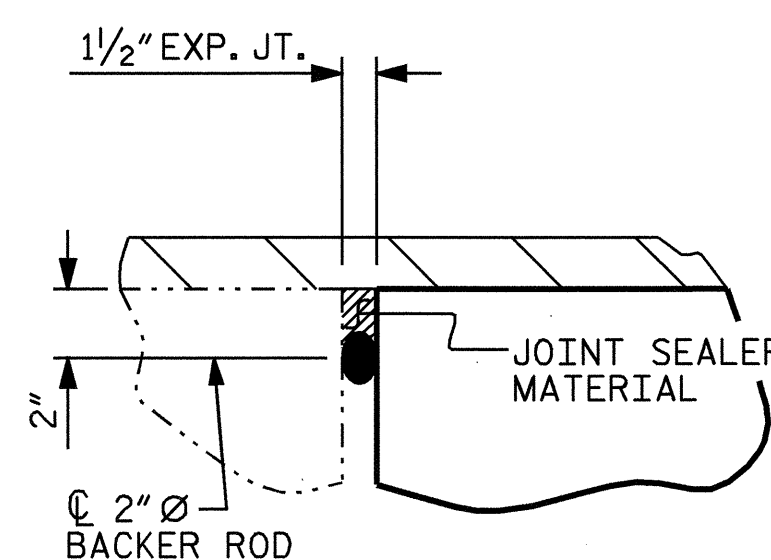
ELASTOMERIC BEARING DETAILS



SECTION AT END BENT

END BENT No. 1 SHOWN; END BENT No. 2 SIMILAR

SECTION AT BENT



DETAIL "A"

PROJECT NO. B-4047
BURKE COUNTY
STATION: 15+30.00 -L-

SHEET 1 OF 6

STATE OF NORTH CAROLINA
DEPARTMENT OF TRANSPORTATION
RALEIGH

STANDARD

3'-0" X 2'-3"
PRESTRESSED CONCRETE
BOX BEAM UNIT



DRAWN BY: A.R.CHESSON DATE: 3-05
CHECKED BY: B.N.GRADY DATE: 3-05

09-SEP-2005 12:28
G:\Structures\B4047\achesson\mrcrostation\B4047_sd.pcb_01.dgn
achesson

REVISIONS						SHEET NO.
NO.	BY:	DATE:	NO.	BY:	DATE:	S-4
1			3			TOTAL SHEETS
2			4			24