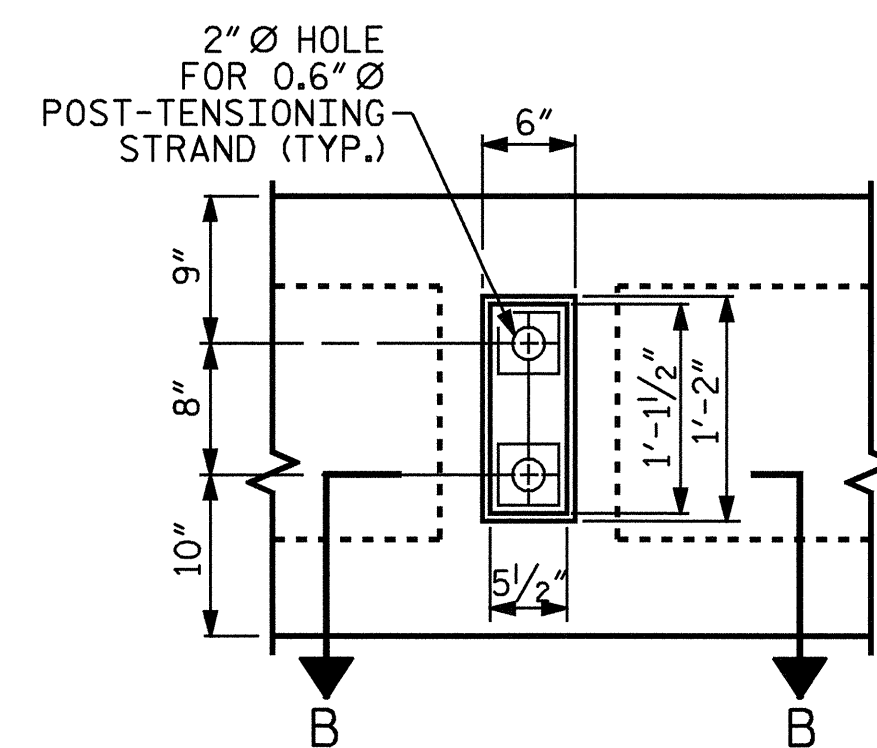
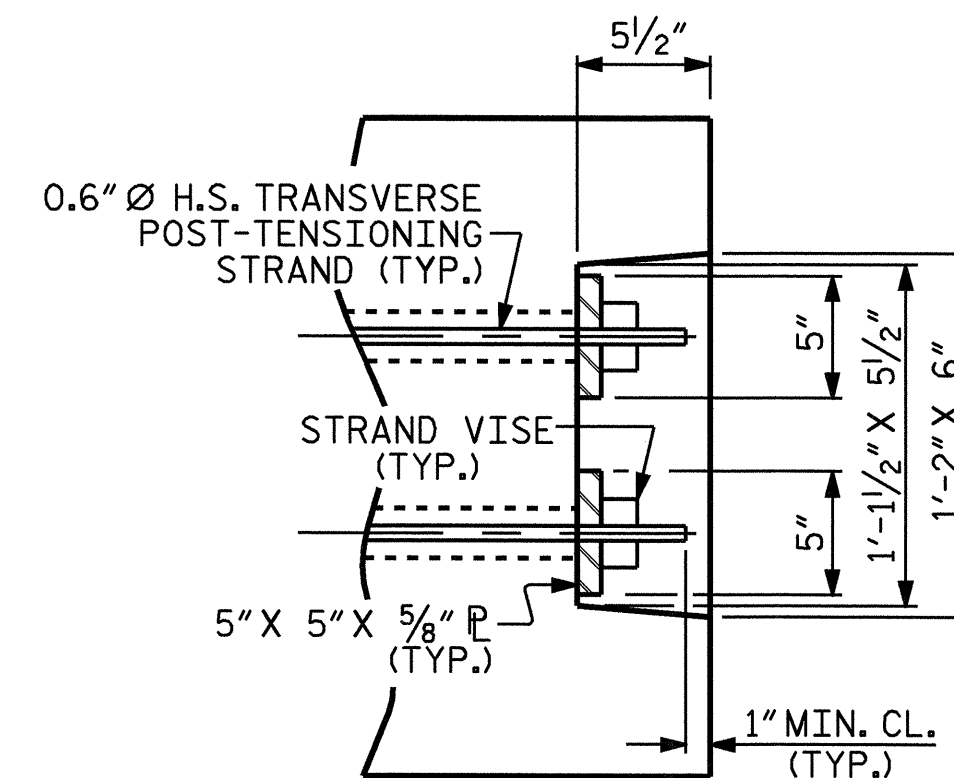


DOUBLE DIAPHRAGM DETAILS FOR 27" BOX BEAM

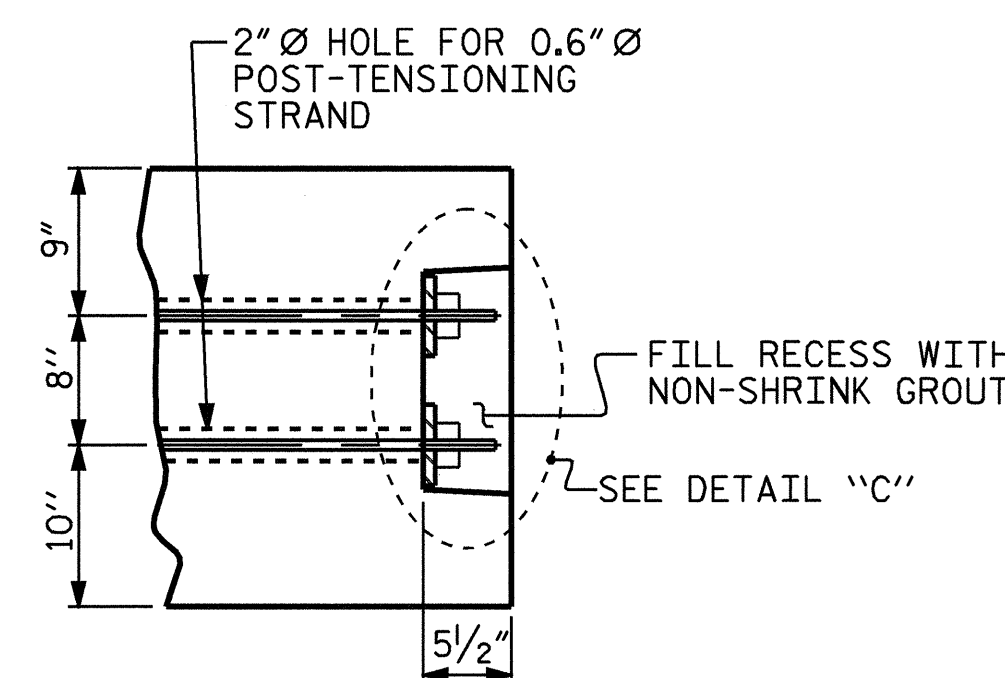
#4 "S" BARS NOT SHOWN. #4 "S" BARS MAY BE SHIFTED SLIGHTLY TO CLEAR 2" Ø HOLE.



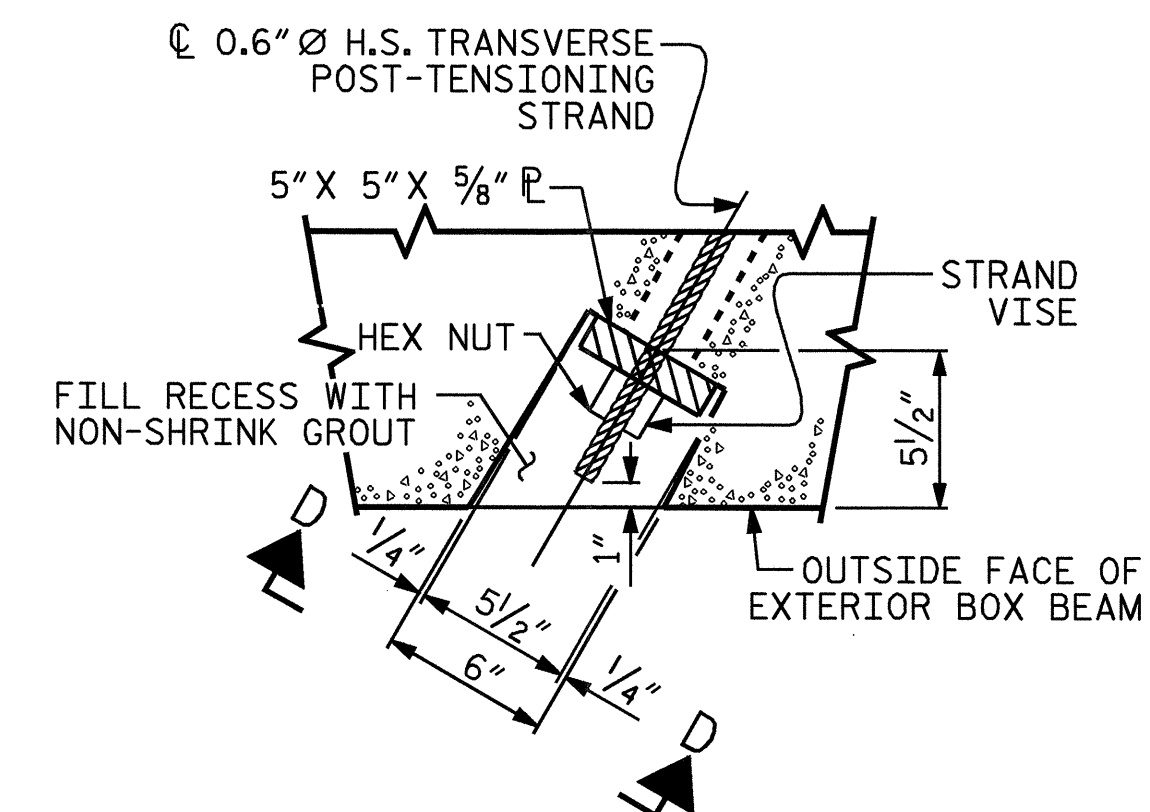
VIEW D-D
SHOWING ELEVATION VIEW OF GROUDED RECESS



DETAIL "C"

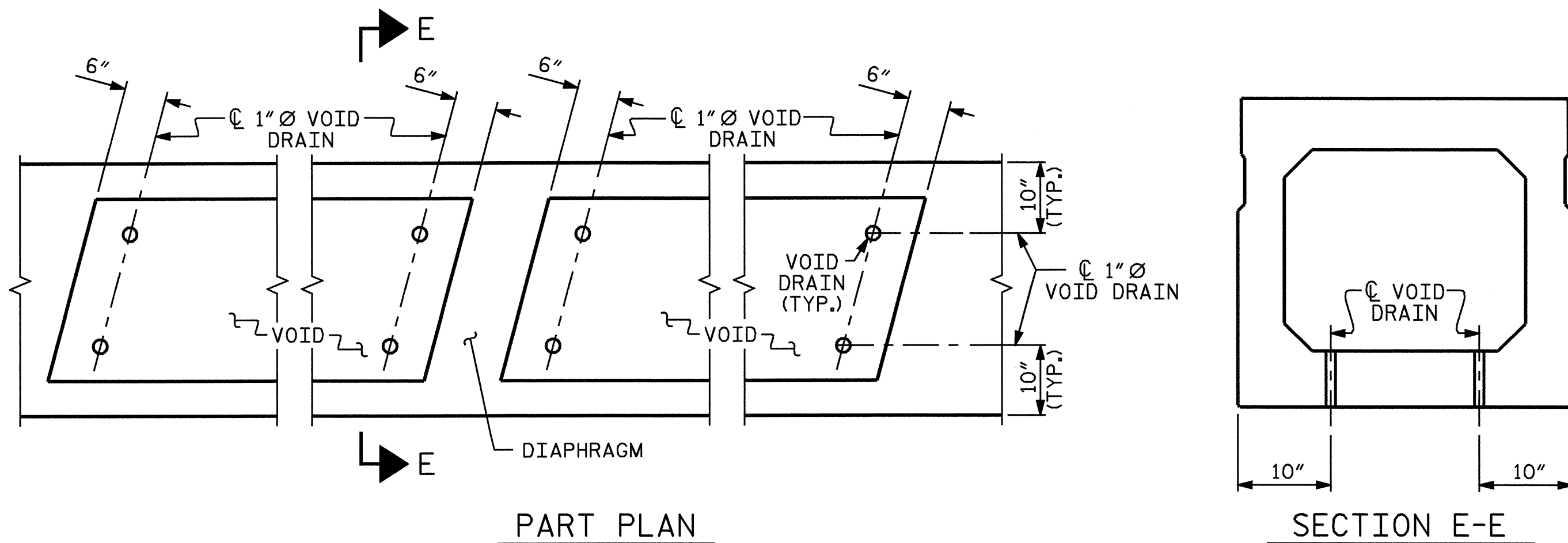


PART SECTION AT RECESS



SECTION B-B
SHOWING PLAN VIEW OF GROUDED RECESS

**GROUDED RECESS DETAIL AT
END OF POST-TENSIONING STRANDS
OF EXTERIOR 27" BOX BEAM**



VOID DRAIN DETAILS
(DIMENSIONS SHOWN ARE TYPICAL FOR EACH VOID)

DEAD LOAD DEFLECTION AND CAMBER		
	3'-0" x 2'-3"	
	0.5" Ø L.R. STRAND	
	SPAN "A"	SPAN "B"
CAMBER (BEAM ALONE IN PLACE) ↓	2 5/8"	2 5/8"
DEFLECTION DUE TO SUPERIMPOSED DEAD LOAD ** ↓	1 1/16"	1 1/16"
FINAL CAMBER ↑	1 15/16"	1 15/16"

** INCLUDES FUTURE WEARING SURFACE

PROJECT NO. B-4047
BURKE COUNTY
STATION: 15+30.00 -L-

SHEET 5 OF 6

STATE OF NORTH CAROLINA
DEPARTMENT OF TRANSPORTATION
RALEIGH

STANDARD
3'-0" X 2'-3"
PRESTRESSED CONCRETE
BOX BEAM UNIT

MARCH 2005

REVISIONS						SHEET NO.
NO.	BY:	DATE:	NO.	BY:	DATE:	S-8
1			3			TOTAL SHEETS
2			4			24

ASSEMBLED BY : A.R.CHESSON DATE : 3-05
CHECKED BY : B.N.GRADY DATE : 3-05

09-SEP-2005 12:28
G:\Structures\B4047\chesson\microstat\ton\B4047_sd.pcb_01.dgn
chesson

