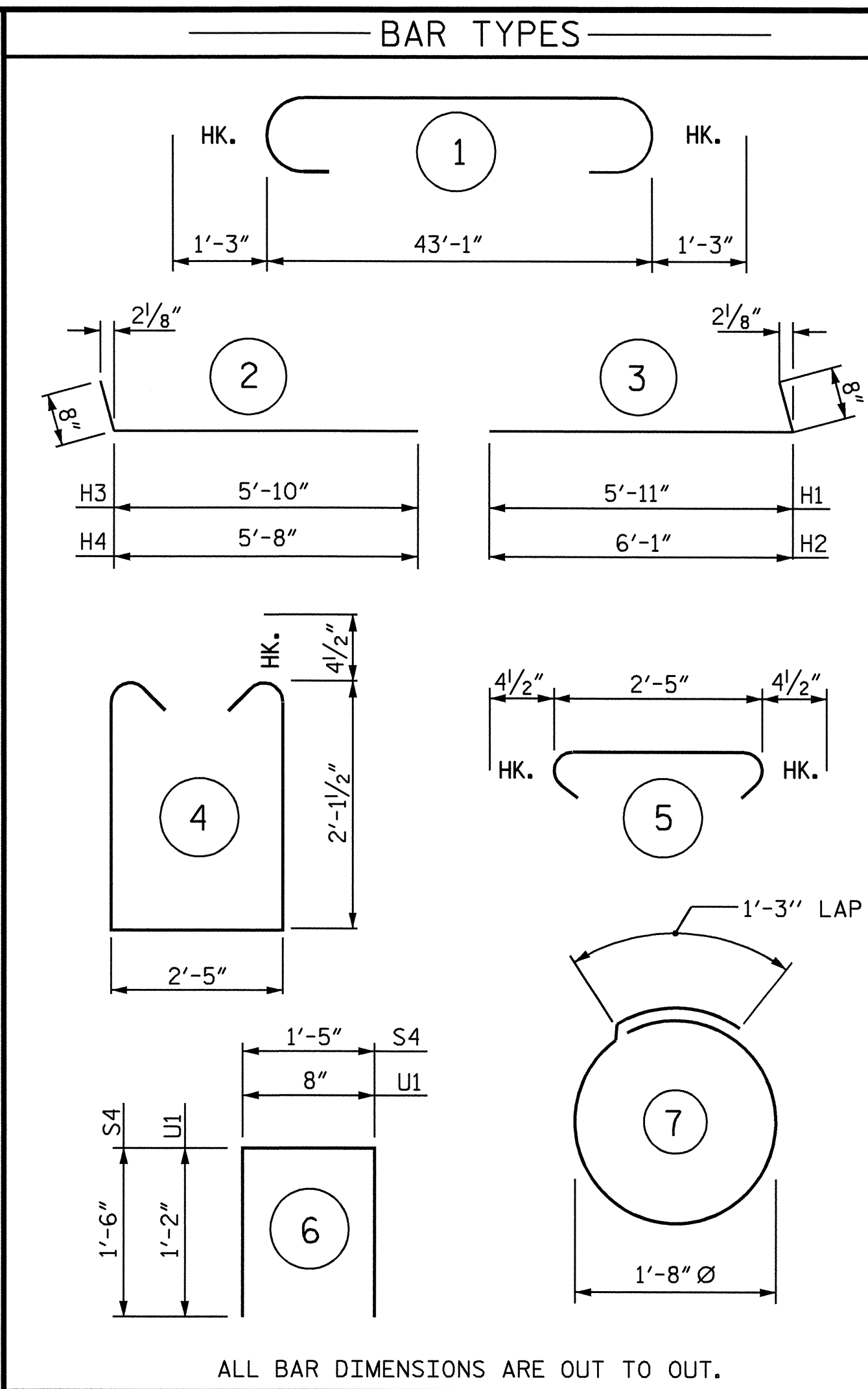
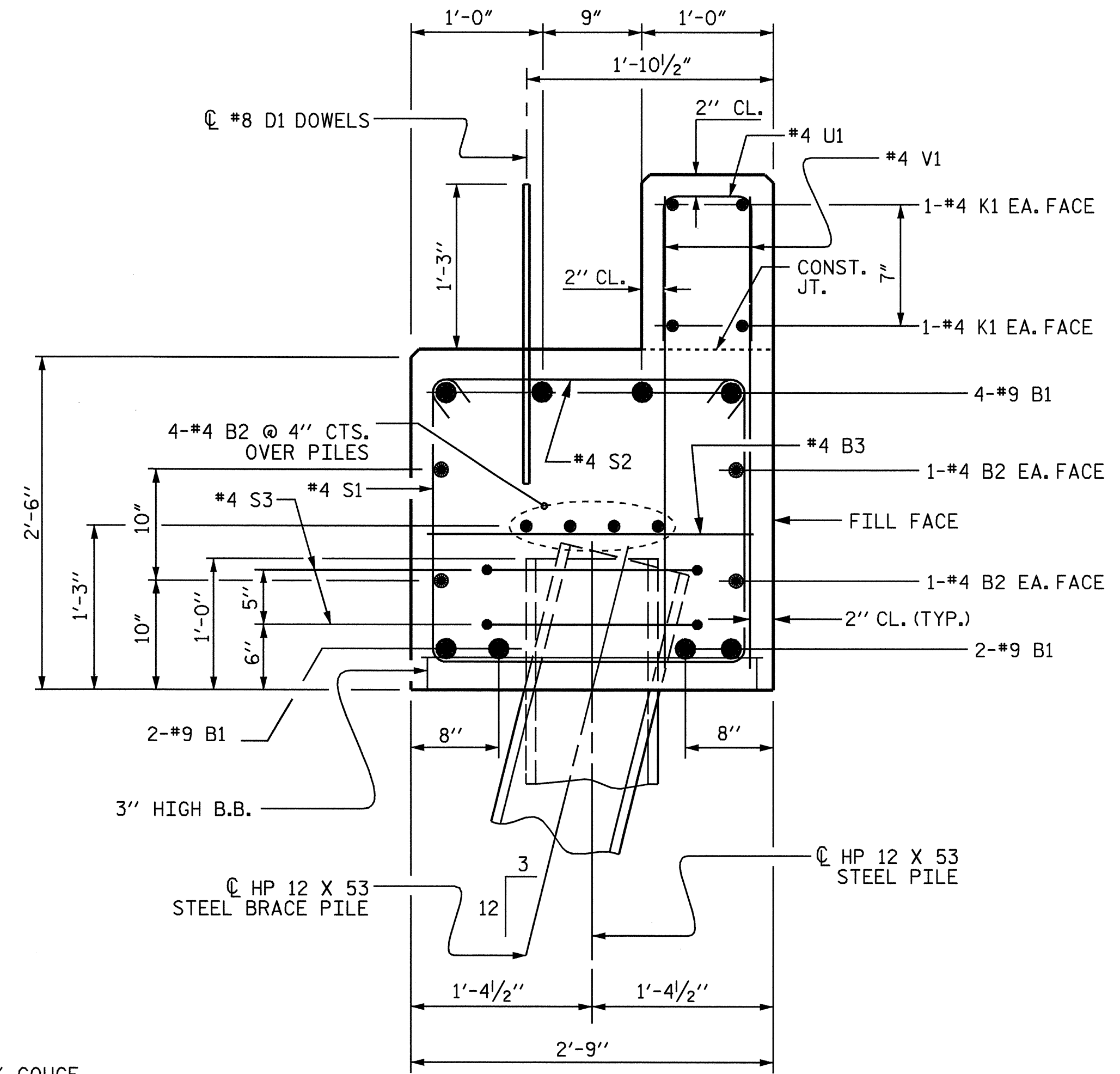


BAGGED STONE AND PIPE SHALL BE PLACED IMMEDIATELY AFTER COMPLETION OF END BENT EXCAVATION. PIPE MAY BE EITHER CONCRETE, CORRUGATED STEEL, CORRUGATED ALUMINUM ALLOY, OR CORRUGATED PLASTIC. PERFORATED PIPE WILL NOT BE ALLOWED.

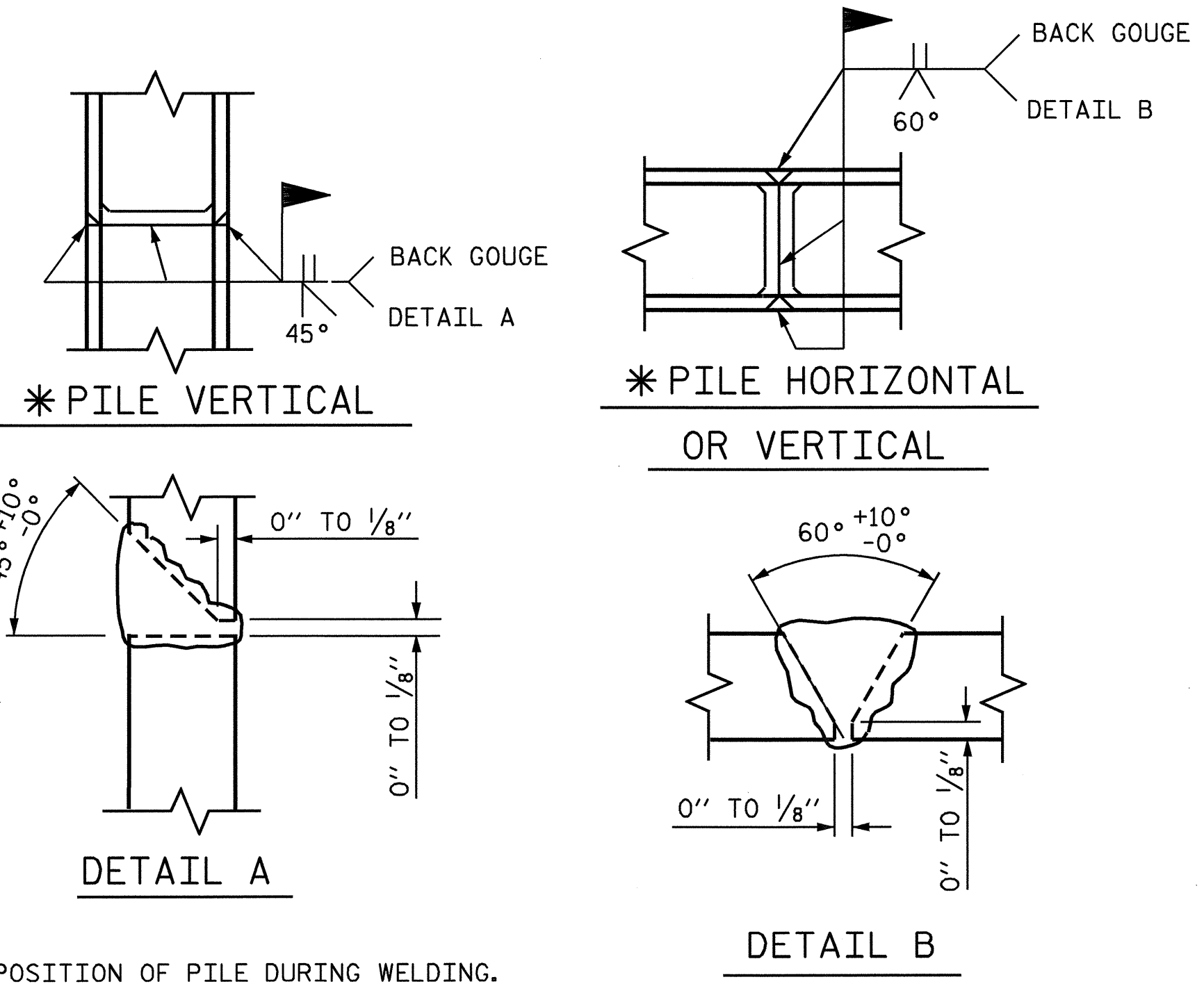
BAGGED STONE SHALL REMAIN IN PLACE UNTIL THE ENGINEER DIRECTS THAT IT BE REMOVED. THE CONTRACTOR SHALL REMOVE AND DISPOSE OF SILT ACCUMULATIONS AT BAGGED STONE WHEN SO DIRECTED BY THE ENGINEER. BAGS SHALL BE REMOVED AND REPLACED WHENEVER THE ENGINEER DETERMINES THAT THEY HAVE DETERIORATED AND LOST THEIR EFFECTIVENESS.

NO SEPARATE PAYMENT WILL BE MADE FOR THIS WORK AND THE ENTIRE COST OF THIS WORK SHALL BE INCLUDED IN THE UNIT CONTRACT PRICE BID FOR THE SEVERAL PAY ITEMS.

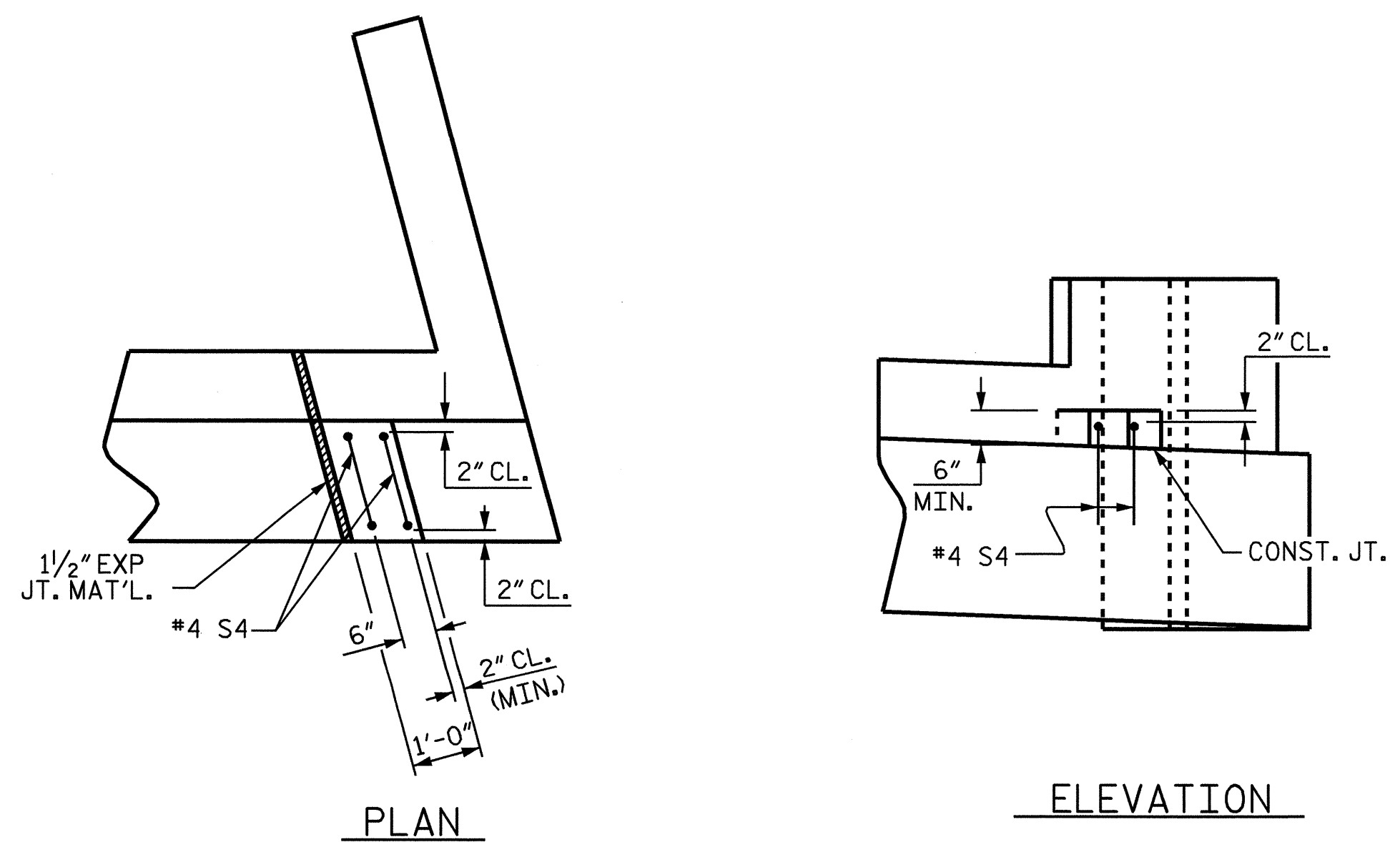
TEMPORARY DRAINAGE AT END BENT



| BILL OF MATERIAL | | | | | |
|------------------------------------|------|------|--------|---------|------------|
| END BENT No. 2 | | | | | |
| BAR NO. | SIZE | TYPE | LENGTH | WEIGHT | |
| B1 | 8 | 9 | 1 | 45'-7" | 1240 |
| B2 | 16 | 4 | STR | 22'-10" | 244 |
| B3 | 11 | 4 | STR | 2'-5" | 18 |
| | | | | | |
| D1 | 24 | 8 | STR | 2'-3" | 144 |
| H1 | 6 | 4 | 3 | 6'-7" | 26 |
| H2 | 6 | 4 | 3 | 6'-9" | 27 |
| H3 | 6 | 4 | 2 | 6'-6" | 26 |
| H4 | 6 | 4 | 2 | 6'-4" | 25 |
| K1 | 8 | 4 | STR | 22'-10" | 122 |
| K2 | 8 | 4 | STR | 2'-7" | 14 |
| | | | | | |
| S1 | 42 | 4 | 4 | 7'-5" | 208 |
| S2 | 42 | 4 | 5 | 3'-2" | 89 |
| S3 | 18 | 4 | 7 | 6'-6" | 78 |
| S4 | 4 | 4 | 6 | 4'-5" | 12 |
| U1 | 38 | 4 | 6 | 3'-0" | 76 |
| V1 | 76 | 4 | STR | 3'-1" | 157 |
| V2 | 22 | 4 | STR | 5'-0" | 73 |
| V3 | 21 | 4 | STR | 4'-7" | 64 |
| REINFORCING STEEL LBS. | | | | | 2643 |
| CLASS A CONCRETE BREAKDOWN: | | | | | |
| POUR #1 - (CAP & LOWER WINGS) | | | 12.1 | C. Y. | |
| POUR #2 - (BACKWALL & UPPER WINGS) | | | 3.2 | C. Y. | |
| POUR #3 - (LATERAL GUIDES) | | | 0.1 | C. Y. | |
| | | | | TOTAL | 15.4 C. Y. |
| | | | | | |
| HP 12 X 53 STEEL PILES | | | | | |
| No. 9 | | | | 180 | LIN. FT. |



PILE SPLICE DETAILS



LATERAL GUIDE DETAILS

(RIGHT LATERAL GUIDE SHOWN, LEFT END SIMILAR)

PROJECT NO. B-4047
BURKE COUNTY
 STATION: 15+30.00 -L-

SHEET 3 OF 3

STATE OF NORTH CAROLINA
 DEPARTMENT OF TRANSPORTATION
 RALEIGH

SUBSTRUCTURE
 END BENT No. 2



| REVISIONS | | | | | | SHEET NO. |
|-----------|-----|-------|-----|-----|-------|--------------|
| NO. | BY: | DATE: | NO. | BY: | DATE: | S-17 |
| 1 | | | 3 | | | TOTAL SHEETS |
| 2 | | | 4 | | | 24 |

DRAWN BY : A. V. ROYAL DATE : 4/05
 CHECKED BY : B. N. GRADY DATE : 4/05