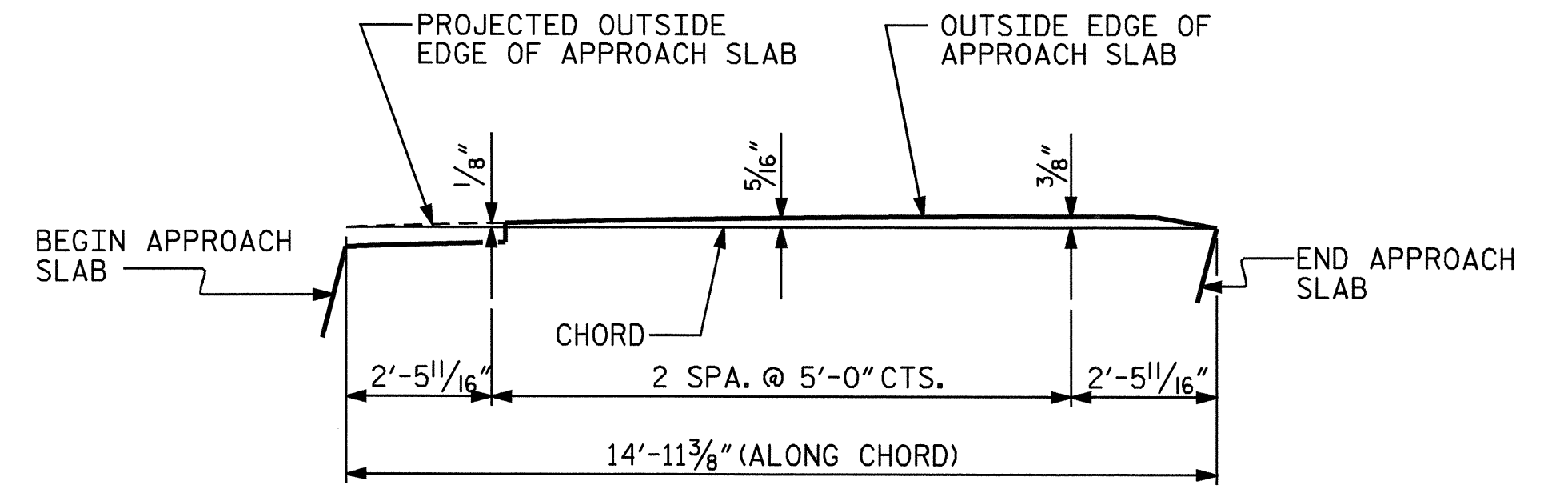
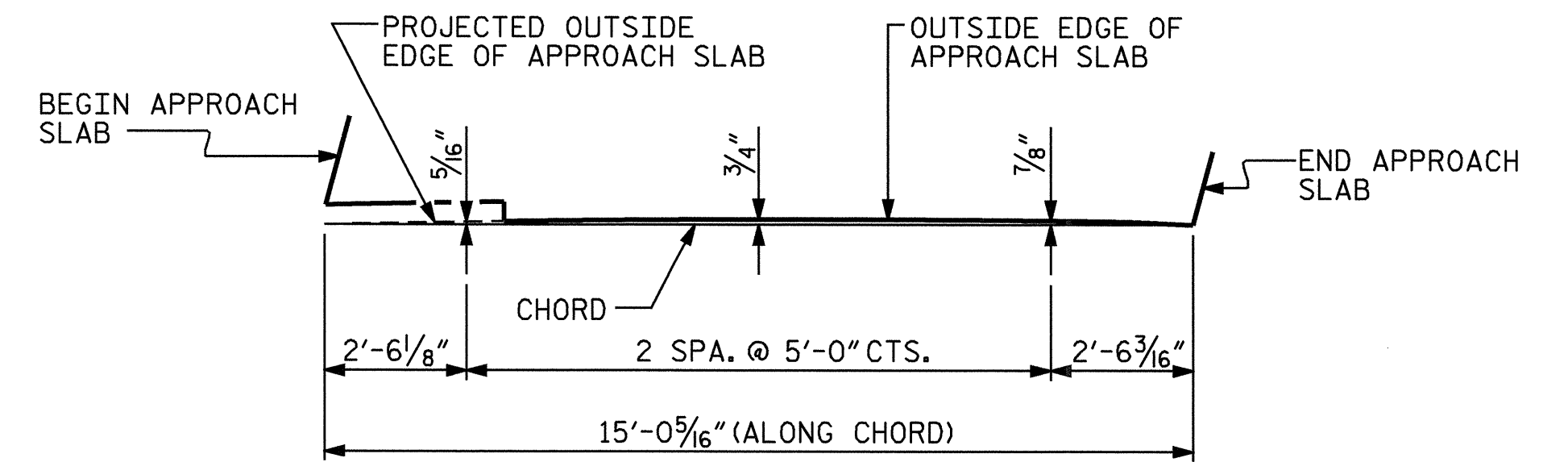


PLAN OF APPROACH SLAB AT END BENT No. 1

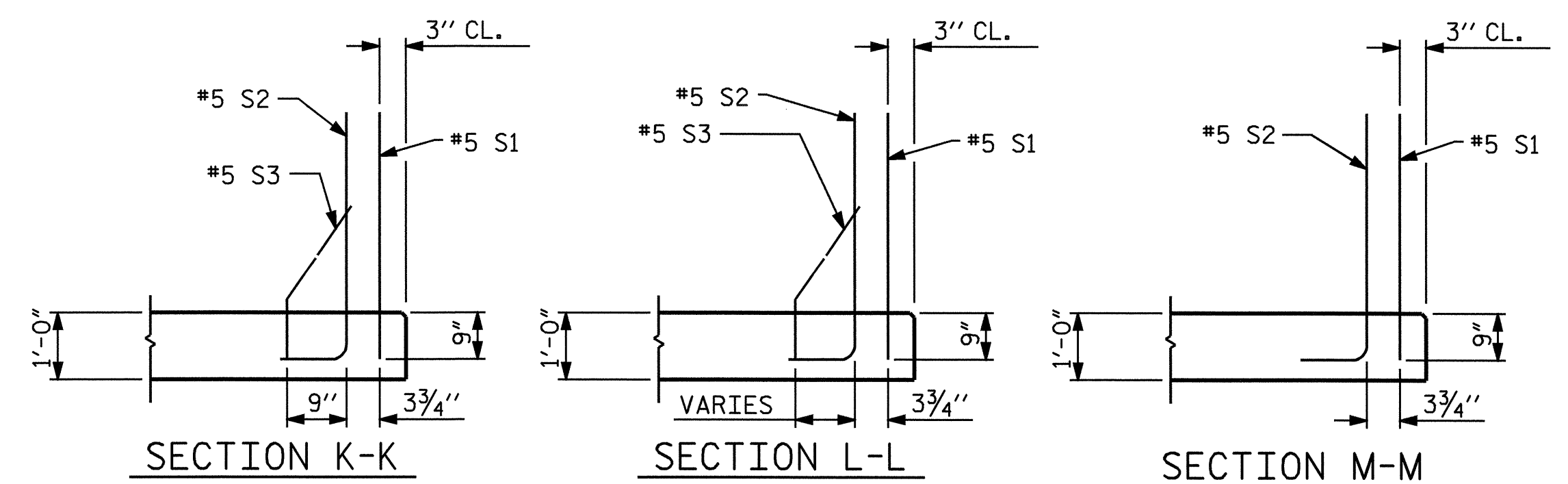


LEFT SIDE



RIGHT SIDE

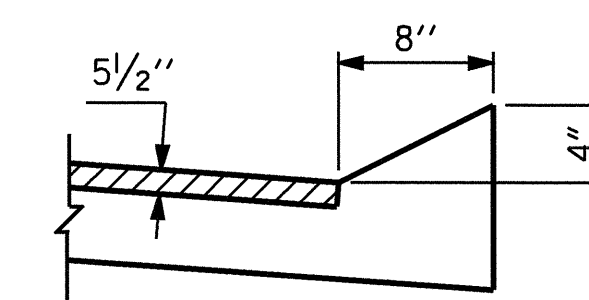
ARC OFFSETS AT END BENT No. 1



SECTION K-K

SECTION L-L

SECTION M-M



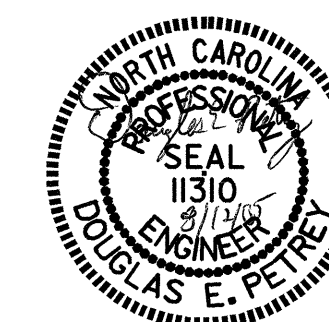
SECTION N-N

PROJECT NO. B-4047
 BURKE COUNTY
 STATION: 15+30.00 -L-

SHEET 1 OF 6

STATE OF NORTH CAROLINA
 DEPARTMENT OF TRANSPORTATION
 RALEIGH

BRIDGE APPROACH SLAB
 FOR PRESTRESSED CONCRETE
 BOX BEAM WITH
 BARRIER RAIL



NOTES:

★ MEASURED RADIALLY

"B" BARS SHALL BE PLACED PARALLEL TO THE APPROACH SLAB CHORD.

"A" BARS SHALL BE PLACED PARALLEL TO THE END APPROACH SLAB FACE.

DRAWN BY: A.V.ROYAL DATE: 8-05
 CHECKED BY: A.R.CHESSON DATE: 8-05

REVISIONS						SHEET NO.
NO.	BY:	DATE:	NO.	BY:	DATE:	S-19
1			3			TOTAL SHEETS
2			4			24