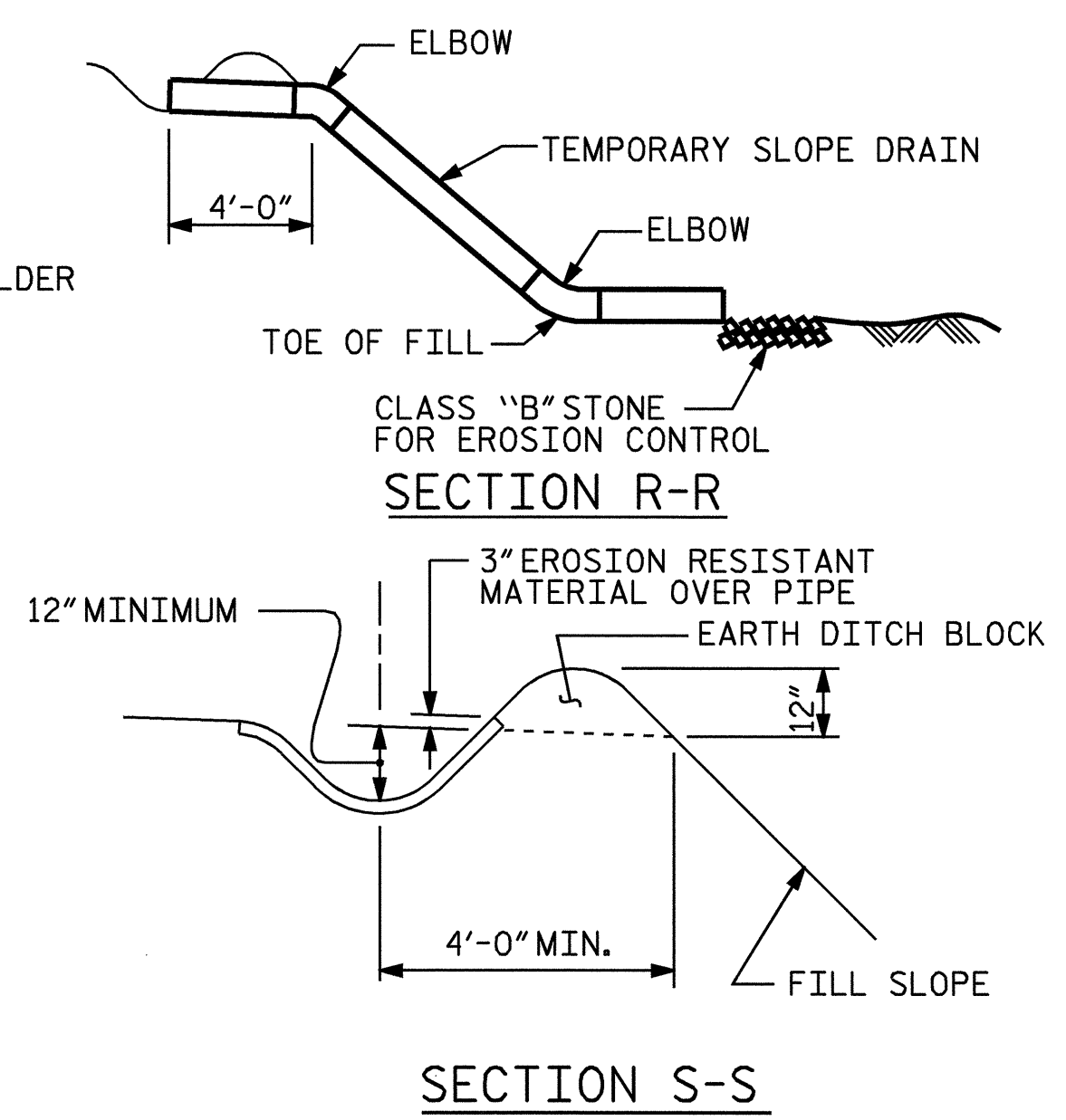
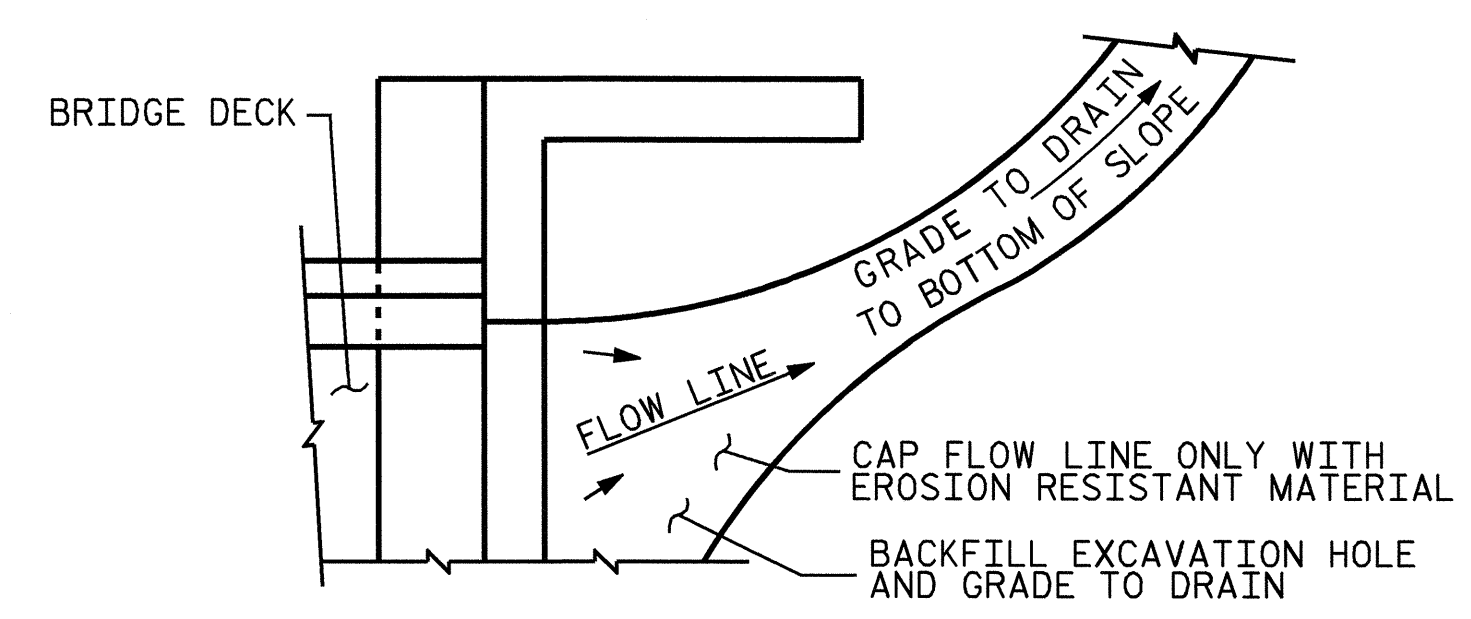


PLAN VIEW



**TEMPORARY BERM AND SLOPE DRAIN DETAILS**  
(TO BE USED WHEN SHOULDER BERM GUTTER IS REQUIRED)



NOTE: IF THE APPROACH SLAB IS NOT CONSTRUCTED IMMEDIATELY AFTER THE BACKFILLING OF THE END BENT EXCAVATION, GRADE TO DRAIN TO THE BOTTOM OF THE SLOPE AND PROVIDE EROSION RESISTANT MATERIAL, SUCH AS FIBERGLASS ROVING OR AS DIRECTED BY THE ENGINEER TO PREVENT SOIL EROSION AND TO PROTECT THE AREA ADJACENT TO THE STRUCTURE. THE CONTRACTOR WILL BE REQUIRED TO REMOVE THESE

**TEMPORARY DRAINAGE DETAIL**

PROJECT NO. B-4047  
BURKE COUNTY  
 STATION: 15+30.00 -L-

SHEET 4 OF 6

STATE OF NORTH CAROLINA  
 DEPARTMENT OF TRANSPORTATION  
 RALEIGH

STANDARD

BRIDGE APPROACH  
 SLAB DETAILS



ASSEMBLED BY :	A.V.ROYAL	DATE :	8-05
CHECKED BY :	A.R.CHESSON	DATE :	8-05
DRAWN BY :	FCJ	11/88	REV. 8/16/99 MAB/LES
CHECKED BY :	ARB	11/88	REV. 10/17/00 RWW/LES
			REV. 5/7/03 RWW/JTE

REVISIONS						1988
NO.	BY:	DATE:	NO.	BY:	DATE:	SHEET NO.
1			3			S-22
2			4			TOTAL SHEETS 24