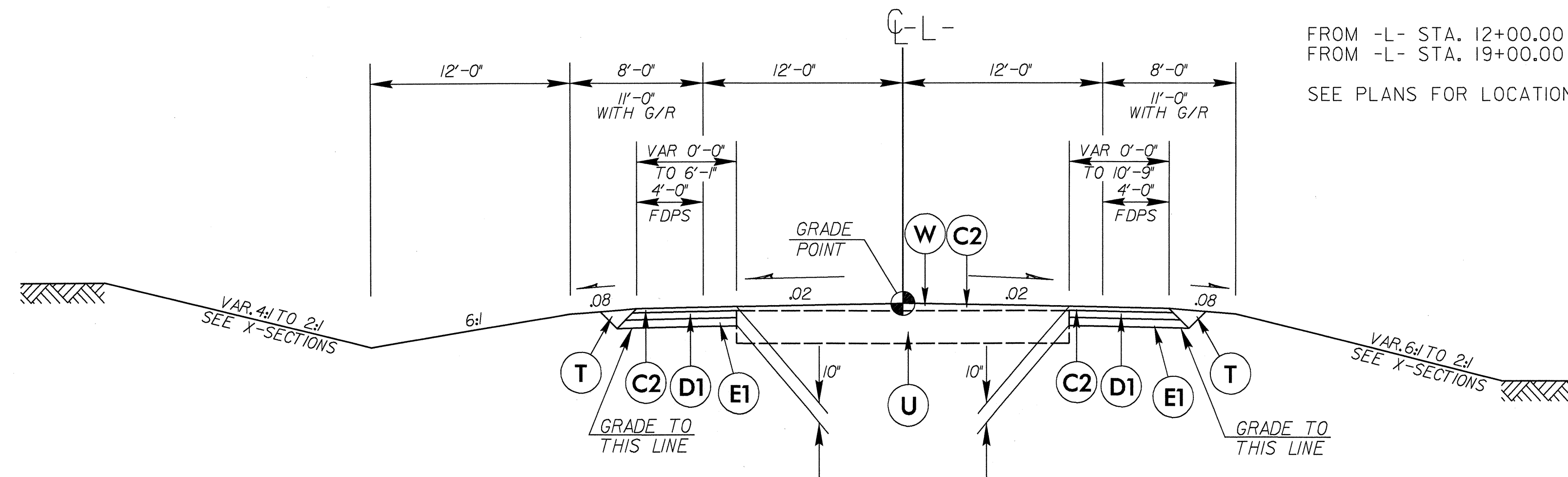


USE TYPICAL SECTION NO. 1:

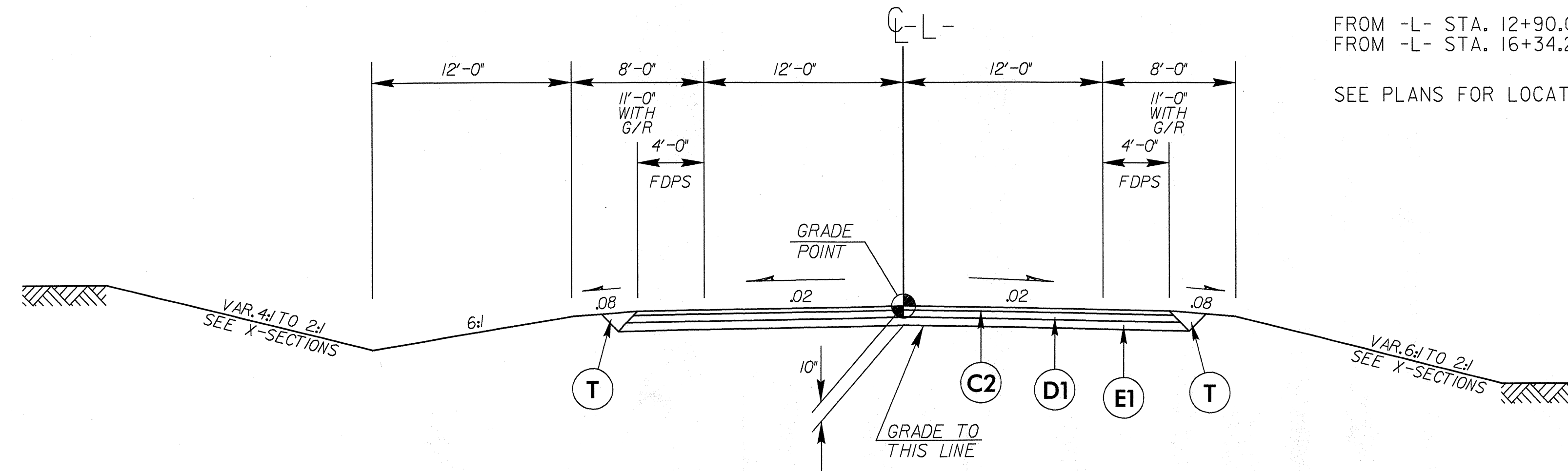
FROM -L- STA. 12+00.00 TO -L- STA 12+90.00
FROM -L- STA. 19+00.00 TO -L- STA. 21+10.00
SEE PLANS FOR LOCATIONS OF TAPERS



TYPICAL SECTION NO. 1

USE TYPICAL SECTION NO. 2:

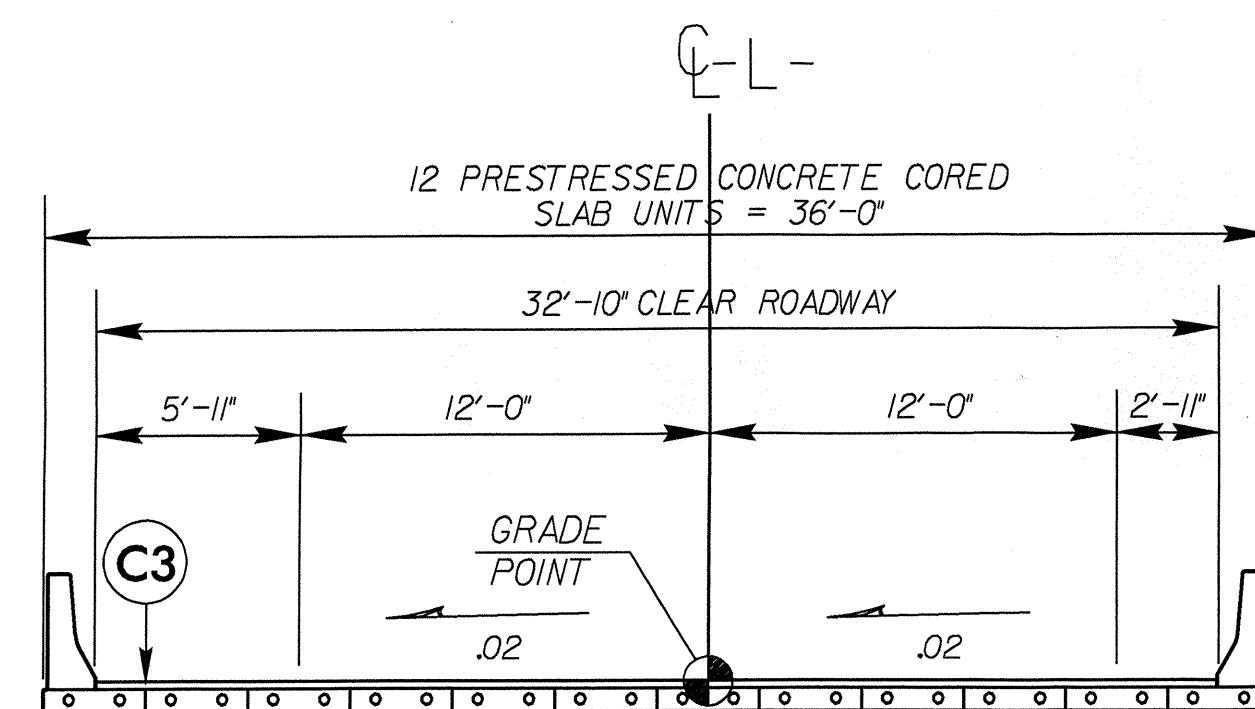
FROM -L- STA. 12+90.00 TO -L- STA 15+31.75 (BEGIN BRIDGE)
FROM -L- STA. 16+34.25 (END BRIDGE) TO -L- STA. 19+00.00
SEE PLANS FOR LOCATIONS OF TAPERS



TYPICAL SECTION NO. 2

USE TYPICAL SECTION NO. 3

FROM -L- STA. 15+31.75 TO -L- STA. 16+34.25



TYPICAL SECTION NO. 3

PAVEMENT SCHEDULE

C1	PROP. APPROX. 1½" ASPHALT CONCRETE SURFACE COURSE, TYPE S9.5B, AT AN AVERAGE RATE OF 168 LBS. PER SQ. YD.
C2	PROP. APPROX. 2½" ASPHALT CONCRETE SURFACE COURSE, TYPE S9.5B, AT AN AVERAGE RATE OF 140 LBS. PER SQ. YD. IN EACH OF TWO LAYERS.
C3	PROP. VAR. DEPTH ASPHALT CONCRETE SURFACE COURSE, TYPE S9.5B, AT AN AVERAGE RATE OF 112 LBS. PER SQ. YD. PER 1" DEPTH, TO BE PLACED IN LAYERS NOT TO EXCEED 1½" IN DEPTH.
D1	PROP. APPROX. 3½" ASPHALT CONCRETE INTERMEDIATE COURSE, TYPE I19.0B, AT AN AVERAGE RATE OF 399 LBS. PER SQ. YD.
D2	PROP. VAR. DEPTH ASPHALT CONCRETE INTERMEDIATE COURSE, TYPE I19.0B, AT AN AVERAGE RATE OF 114 LBS. PER SQ. YD. PER 1" DEPTH, TO BE PLACED IN LAYERS NOT LESS THE 2¼" IN DEPTH OR GREATER THAN 4" IN DEPTH
E1	PROP. APPROX. 4" ASPHALT CONCRETE BASE COURSE, TYPE B25.0B, AT AN AVERAGE RATE OF 456 LBS. PER SQ. YD.
E2	PROP. VAR. DEPTH ASPHALT CONCRETE BASE COURSE, TYPE B25.0B, AT AN AVERAGE RATE OF 114 LBS. PER SQ. YD. PER 1" DEPTH, TO BE PLACED IN LAYERS NOT LESS THAN 3" IN DEPTH OR GREATER THAN 5½" IN DEPTH.
J1	PROP. 6" AGGREGATE BASE COURSE.
T	EARTH MATERIAL.
U	EXISTING PAVEMENT.
W	VARIABLE DEPTH ASPHALT PAVEMENT (SEE STANDARD WEDGING DETAIL SHEET No. 2A)

NOTE: PAVEMENT EDGE SLOPES ARE 1:1 UNLESS SHOWN OTHERWISE.

USER: nll14800 DATE: 10/20/2004
 PATH: C:\GIS\DATA\PROJECTS\103530\103530.dwg
 PLOT: C:\GIS\DATA\PROJECTS\103530\103530.dwg