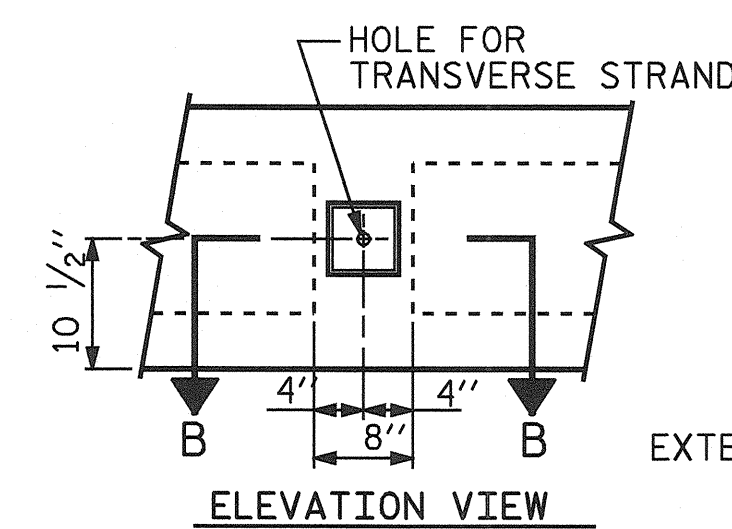


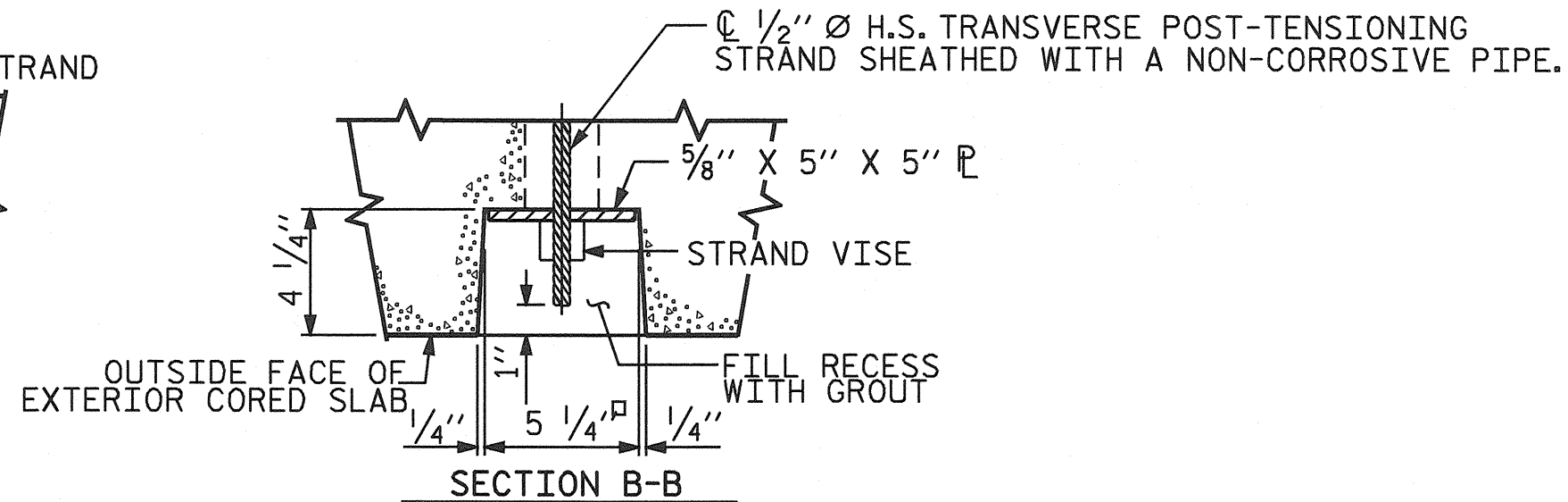
HALF SECTION  
AT INTERMEDIATE DIAPHRAGMS

HALF SECTION  
THROUGH VOIDS

TYPICAL SECTION

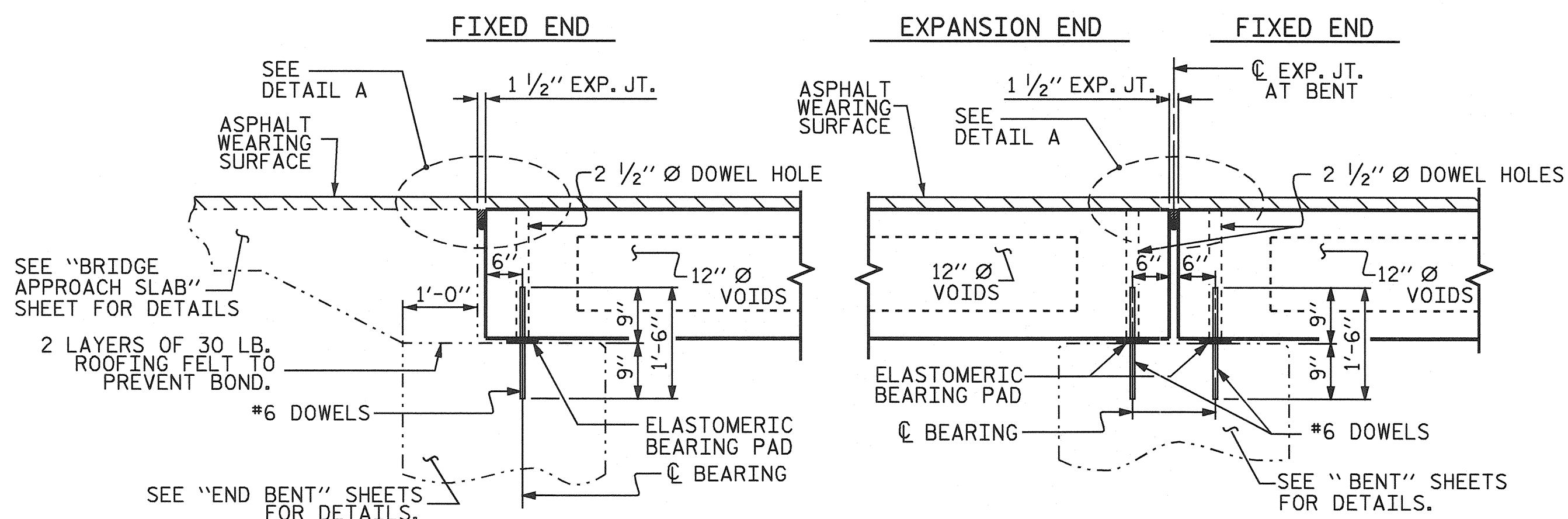


ELEVATION VIEW



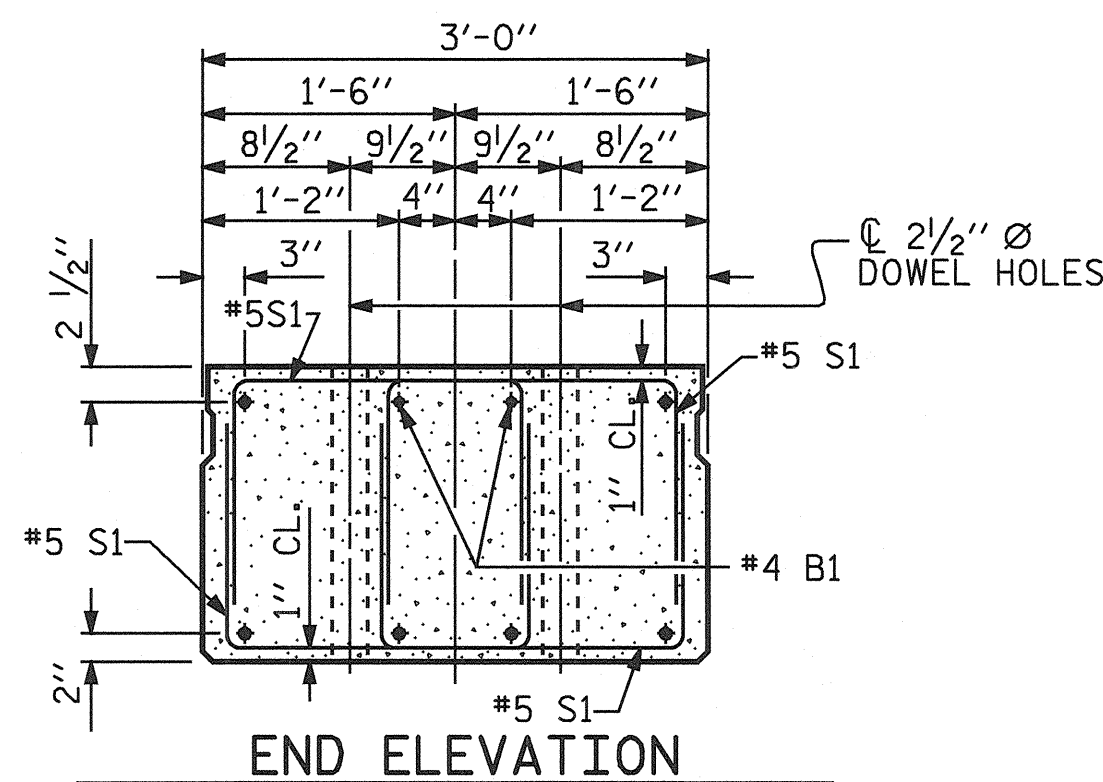
SECTION B-B

GROUTED RECESS AT END OF  
POST-TENSIONED STRAND CORED SLABS



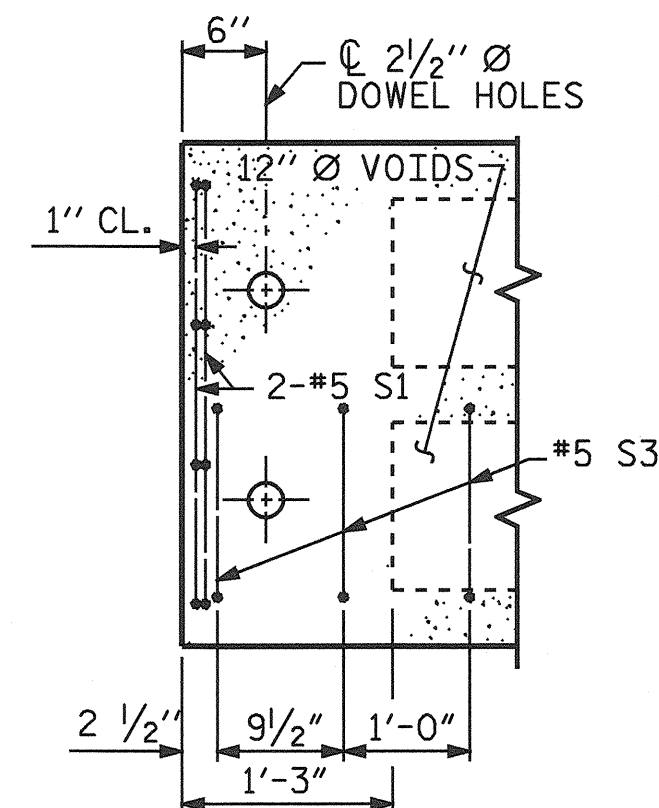
SECTION AT END BENT

SECTION AT BENT



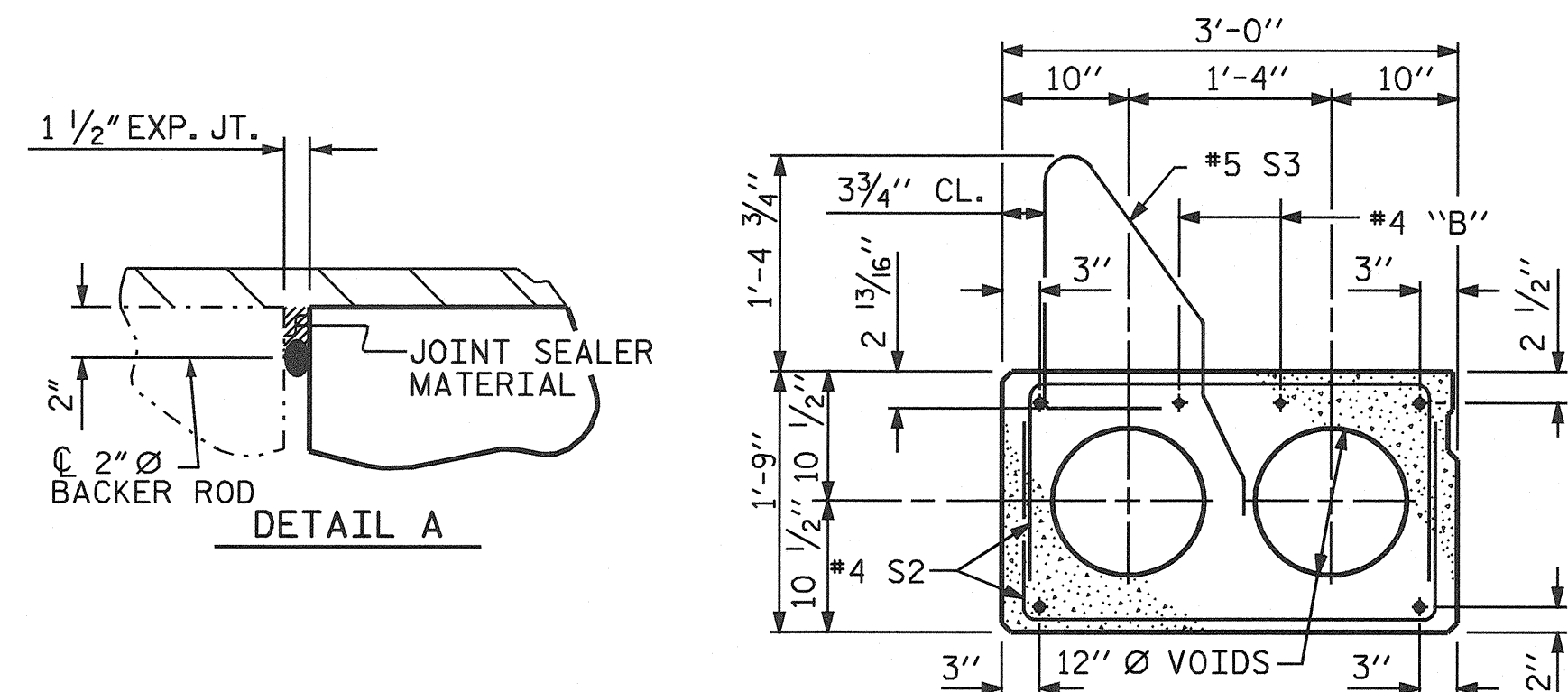
END ELEVATION

SHOWING PLACEMENT OF DOUBLE STIRRUPS AND  
LOCATION OF DOWEL HOLES. (STRAND LAYOUT NOT SHOWN.)  
INTERIOR SLAB SECTION SHOWN-EXTERIOR SLAB  
SECTION SIMILAR EXCEPT SHEAR KEY LOCATION.



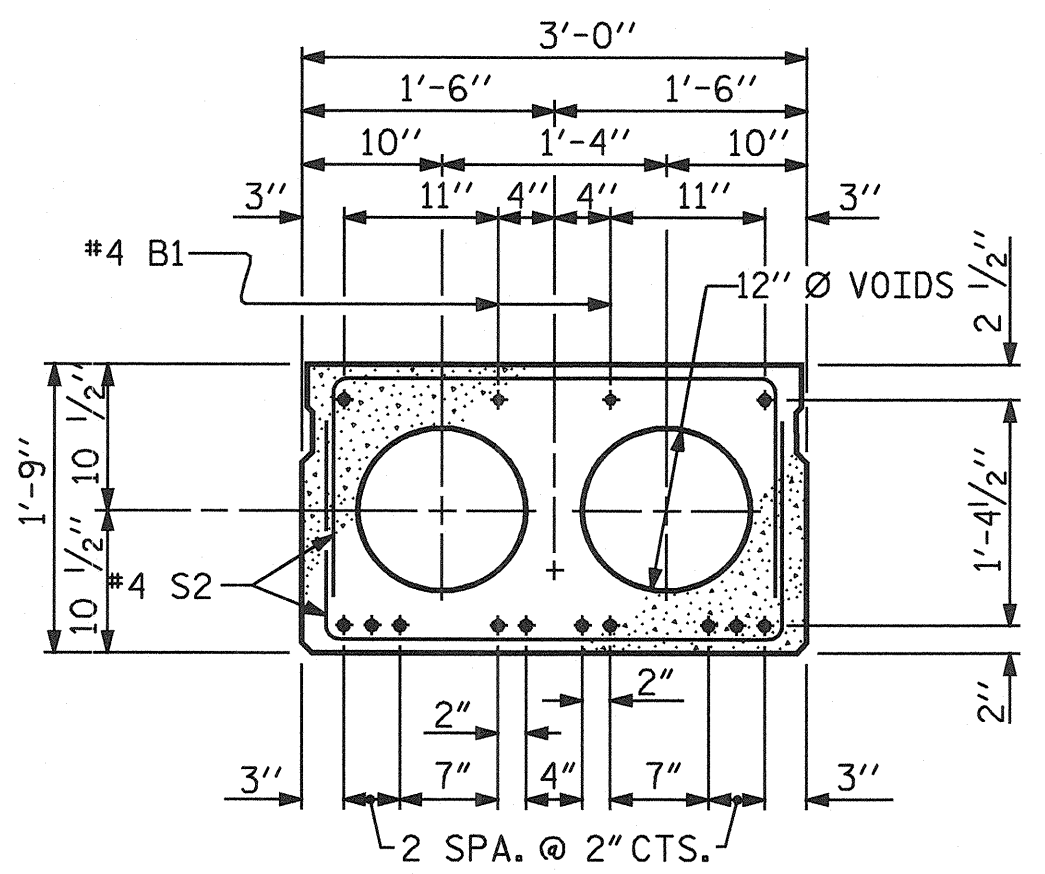
PART PLAN-EXTERIOR SECTION

NOTE: EXTERIOR SECTION SHOWN-INTERIOR SECTION SIMILAR EXCEPT OMIT S3 BARS.

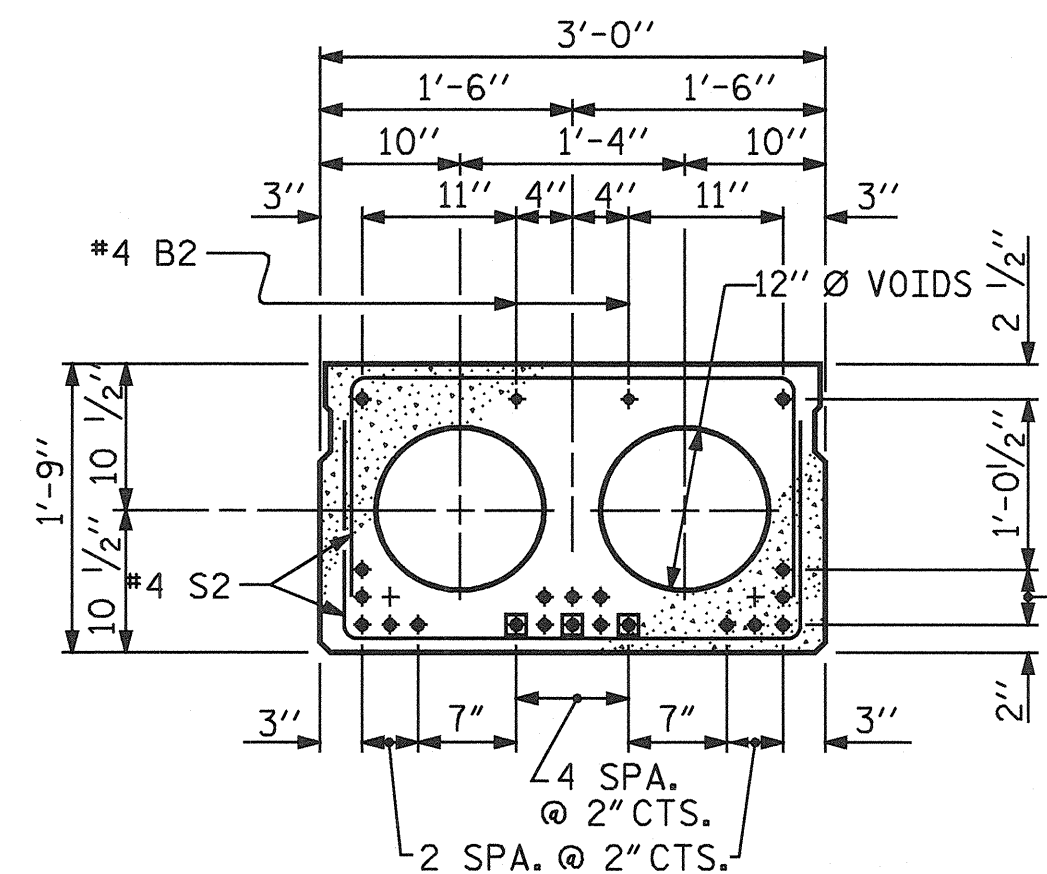


EXTERIOR SLAB SECTION

(FOR PRESTRESSED STRAND LAYOUT, SEE  
INTERIOR SLAB SECTION.)

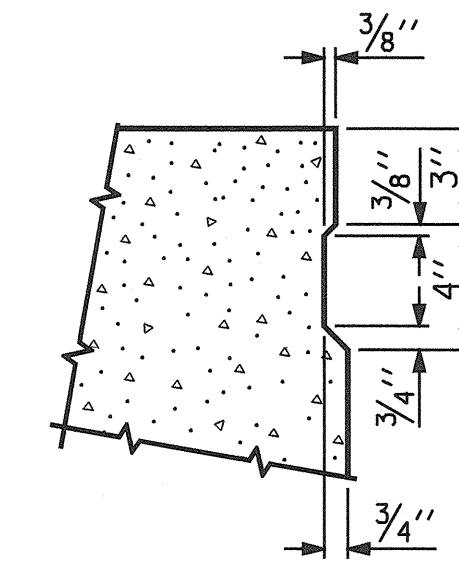


INTERIOR SLAB SECTION FOR SPANS A & C  
1/2" Ø LOW RELAXATION  
STRAND LAYOUT



INTERIOR SLAB SECTION FOR SPAN B  
1/2" Ø LOW RELAXATION  
STRAND LAYOUT

BOND SHALL BE BROKEN ON THESE STRANDS FOR  
A DISTANCE OF 4'-0" FROM END OF CORED SLAB  
UNIT, SEE STANDARD SPECIFICATIONS ARTICLE 1078-7.



SHEAR KEY DETAIL

NOTE: OMIT SHEAR KEY ON OUTSIDE FACE  
OF EXTERIOR CORED SLABS.

PROJECT NO. B-3530  
WAKE COUNTY  
STATION: 15+83.00 -L-

STATE OF NORTH CAROLINA  
DEPARTMENT OF TRANSPORTATION  
RALEIGH

STANDARD  
3'-0" X 1'-9"  
PRESTRESSED CONCRETE  
CORED SLAB UNIT

REVISIONS				SHEET NO.	
NO.	BY:	DATE:	NO.	BY:	DATE:
1			3		
2			4		

S-4  
TOTAL  
SHEETS  
21

