

NOTES

STIRRUPS IN CAP MAY BE SHIFTED AS NECESSARY TO CLEAR DOWELS.

HOOKS ON "M" BARS MAY BE TURNED AS NECESSARY FOR PLACING REINFORCING STEEL.

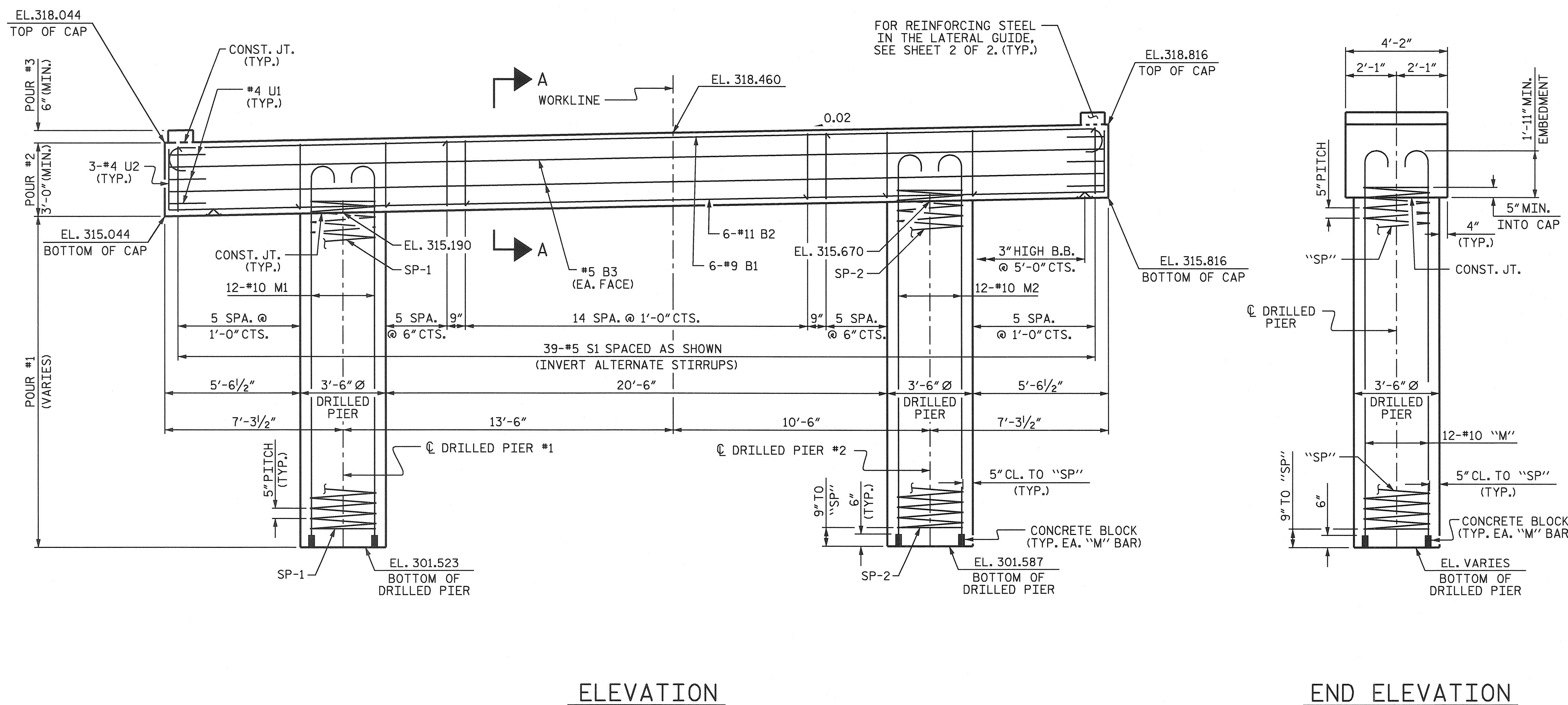
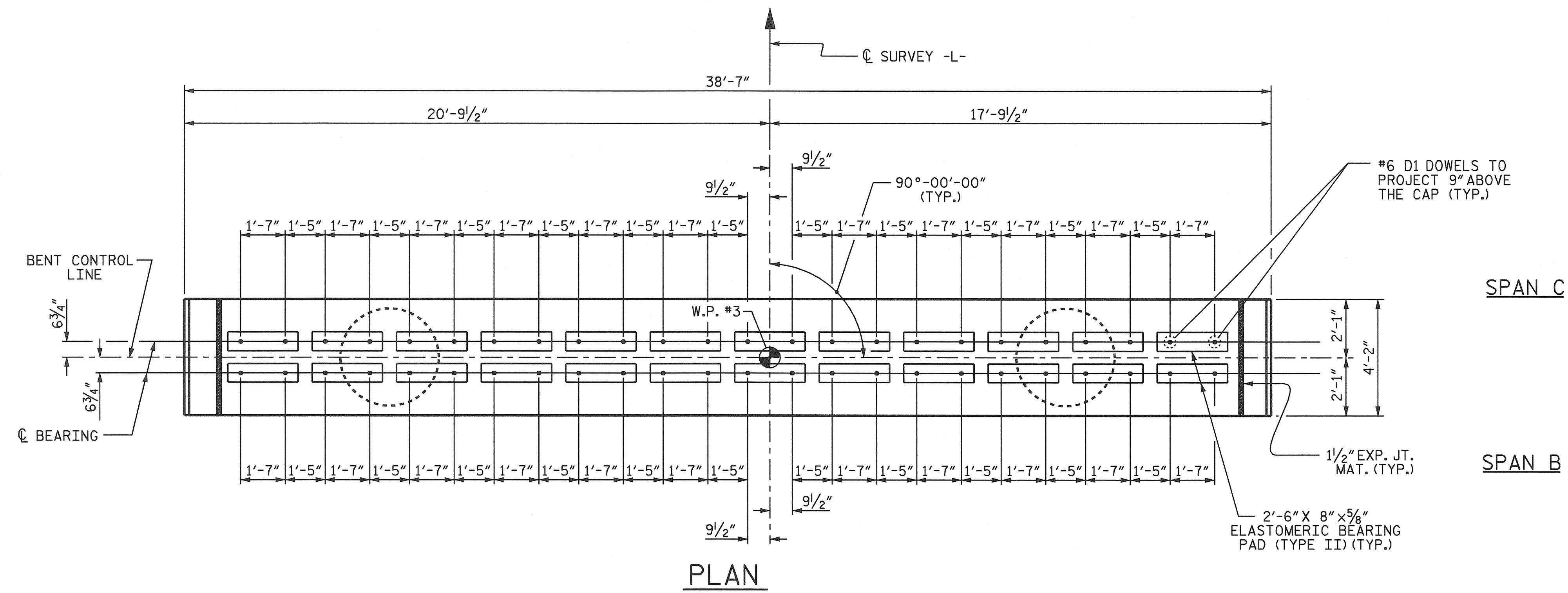
THE LATERAL GUIDE AT EACH END OF THE CAP IS NOT TO BE POURED UNTIL AFTER THE CORED SLAB UNITS ARE IN PLACE. SEE LATERAL GUIDE DETAILS.

THE CONTRACTOR'S ATTENTION IS CALLED TO THE FACT THAT THE LONGITUDINAL REINFORCEMENT FOR THE DRILLED PIERS IS DETAILED WITH 3 FEET OF EXTRA LENGTH.

FOR PERMANENT STEEL CASING, SEE SPECIAL PROVISIONS FOR DRILLED PIERS.

LAP SPlicing OF THE LONGITUDINAL BARS IN THE DRILLED PIER WILL NOT BE PERMITTED. AT THE CONTRACTOR'S OPTION, MECHANICAL COUPLERS MAY BE USED TO FACILITATE POURING OF CONCRETE IN DRILLED PIERS. IF MECHANICAL COUPLERS ARE USED, THE HEIGHT OF THE COUPLERS SHALL BE STAGGERED ON ALTERNATING BARS BY 18 INCHES AND THE DRILLED PIER STEEL SHALL BE CUT ACCORDINGLY. SEE SPECIAL PROVISIONS FOR MECHANICAL BUTT SPlicing FOR REINFORCING STEEL.

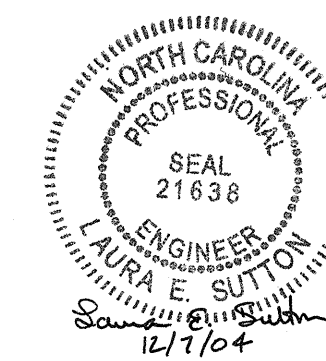
NO SEPARATE PAYMENT SHALL BE MADE FOR ANY ADDITIONAL STEEL REQUIRED IN CONSTRUCTION OF THE DRILLED PIER AS THIS IS CONSIDERED INCIDENTAL TO THE LINEAR FOOT PRICE FOR DRILLED PIER.



PROJECT NO. B-3530
WAKE COUNTY
 STATION: 15+83.00 -L-

SHEET 1 OF 2

| | | | | | |
|--|-----|-------|-----|-----|---|
| STATE OF NORTH CAROLINA DEPARTMENT OF TRANSPORTATION RALEIGH | | | | | |
| SUBSTRUCTURE BENT 2 | | | | | |
| REVISIONS | | | | | |
| NO. | BY: | DATE: | NO. | BY: | DATE: |
| 1 | | | 3 | | |
| 2 | | | 4 | | |
| | | | | | SHEET NO. S-14 TOTAL SHEETS 21 |



12/1/04
 DRAWN BY: J.L. WALTON DATE: 2/17/04
 CHECKED BY: B.N. BARODAWALA DATE: 3/15/04