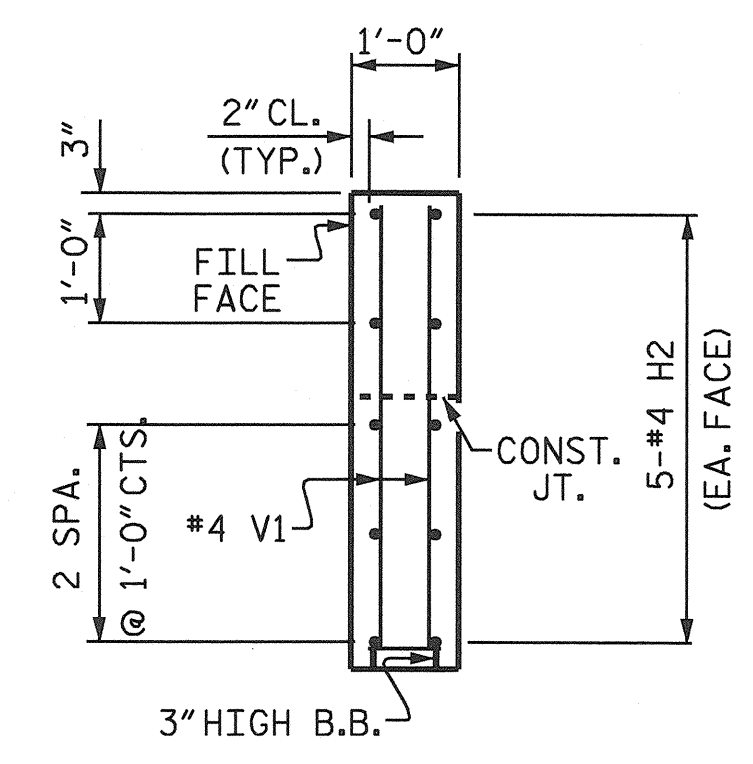
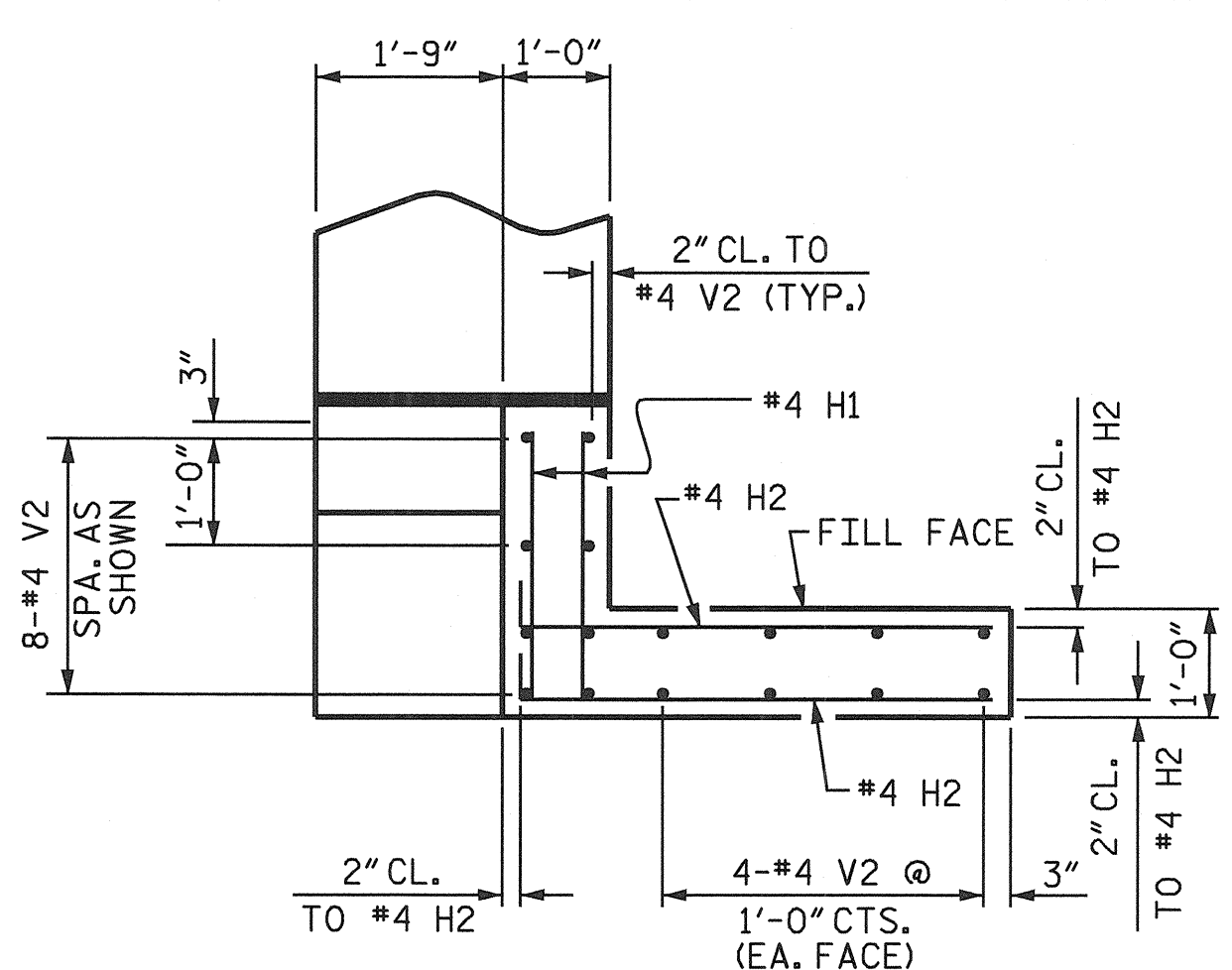


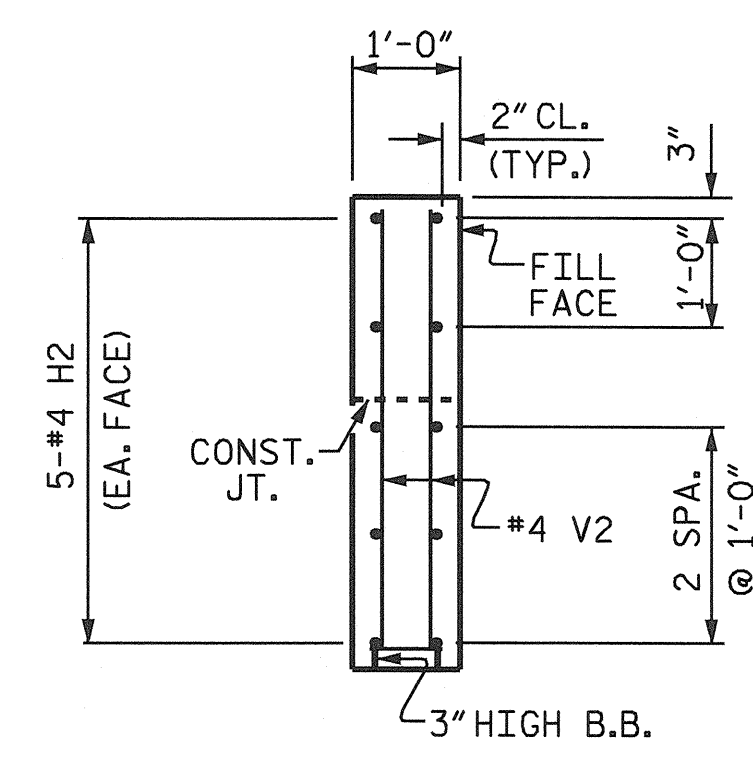
PLAN W1



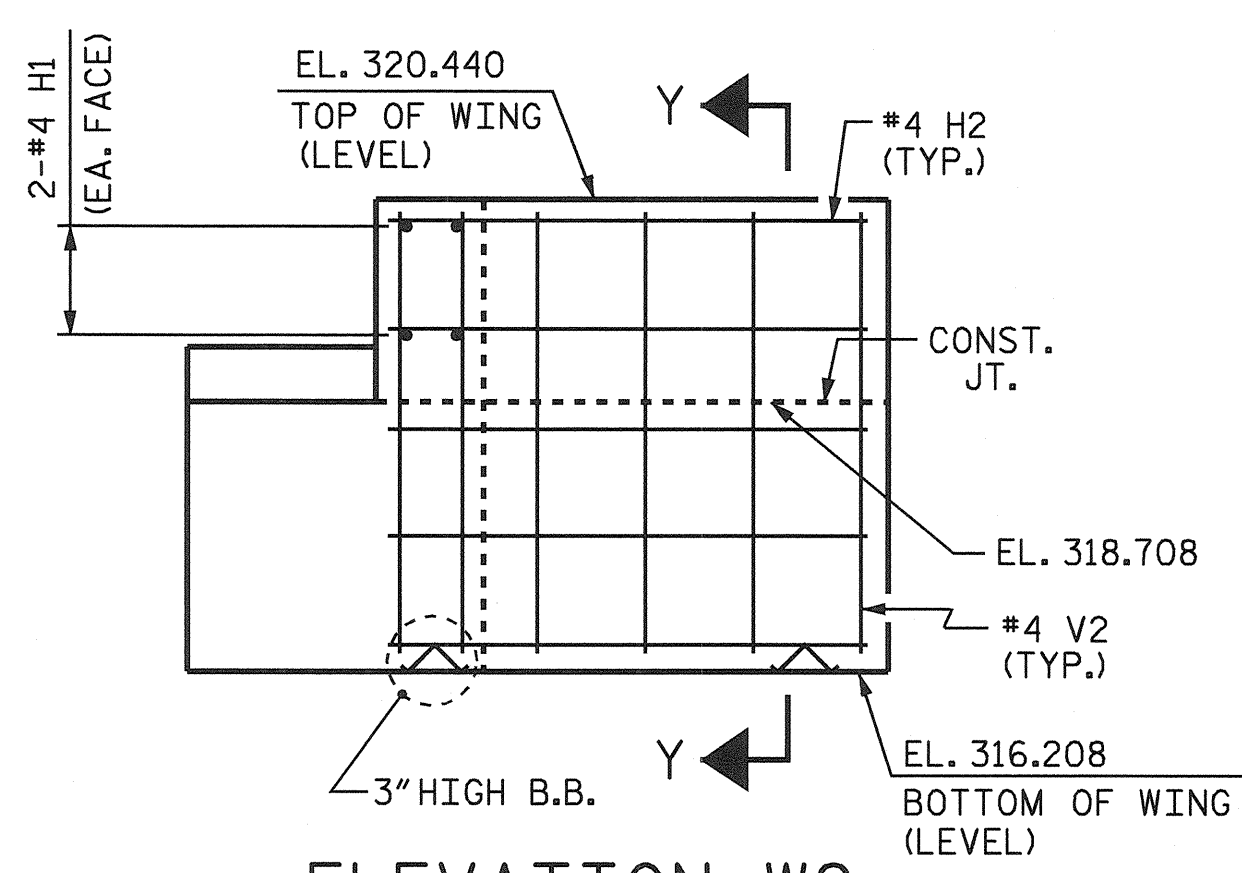
SECTION X-X



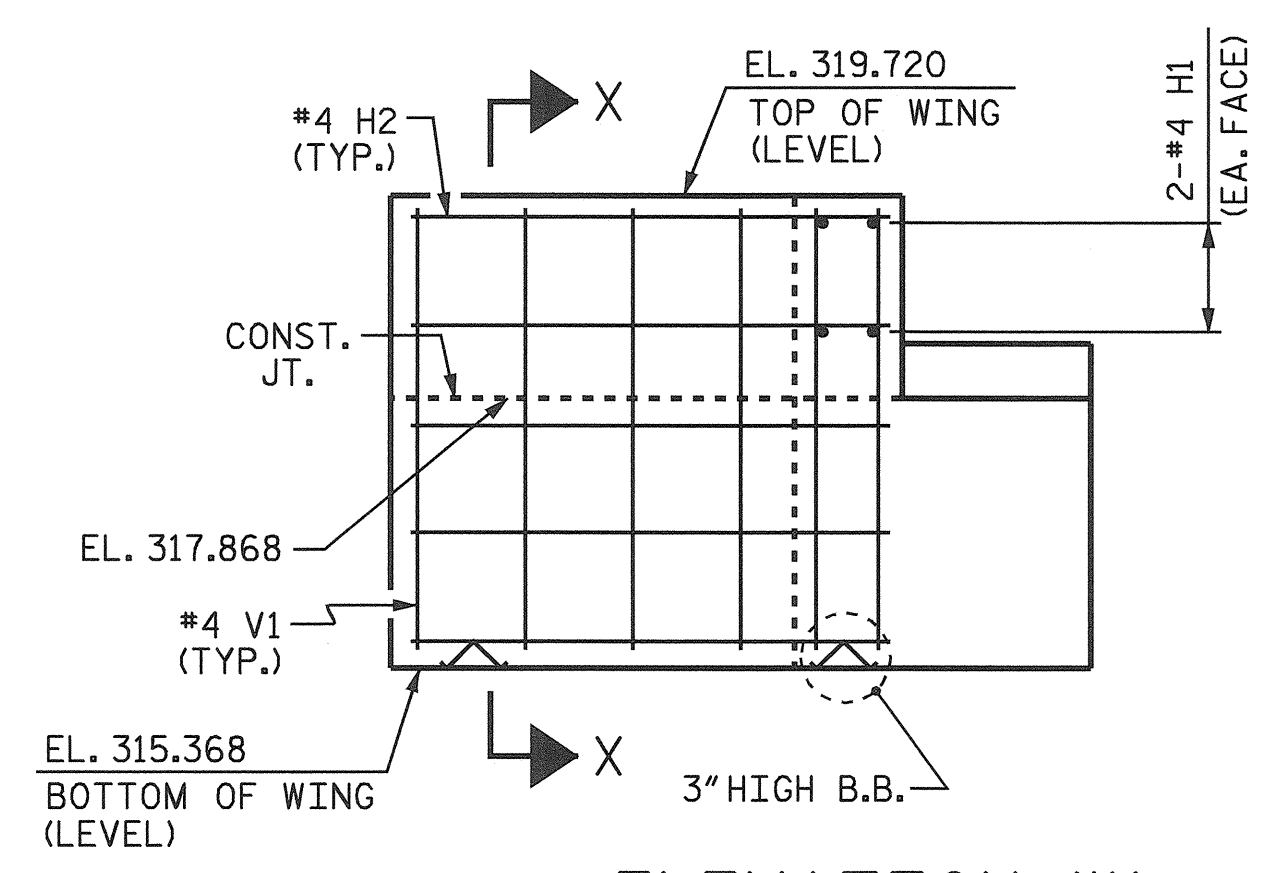
PLAN W2



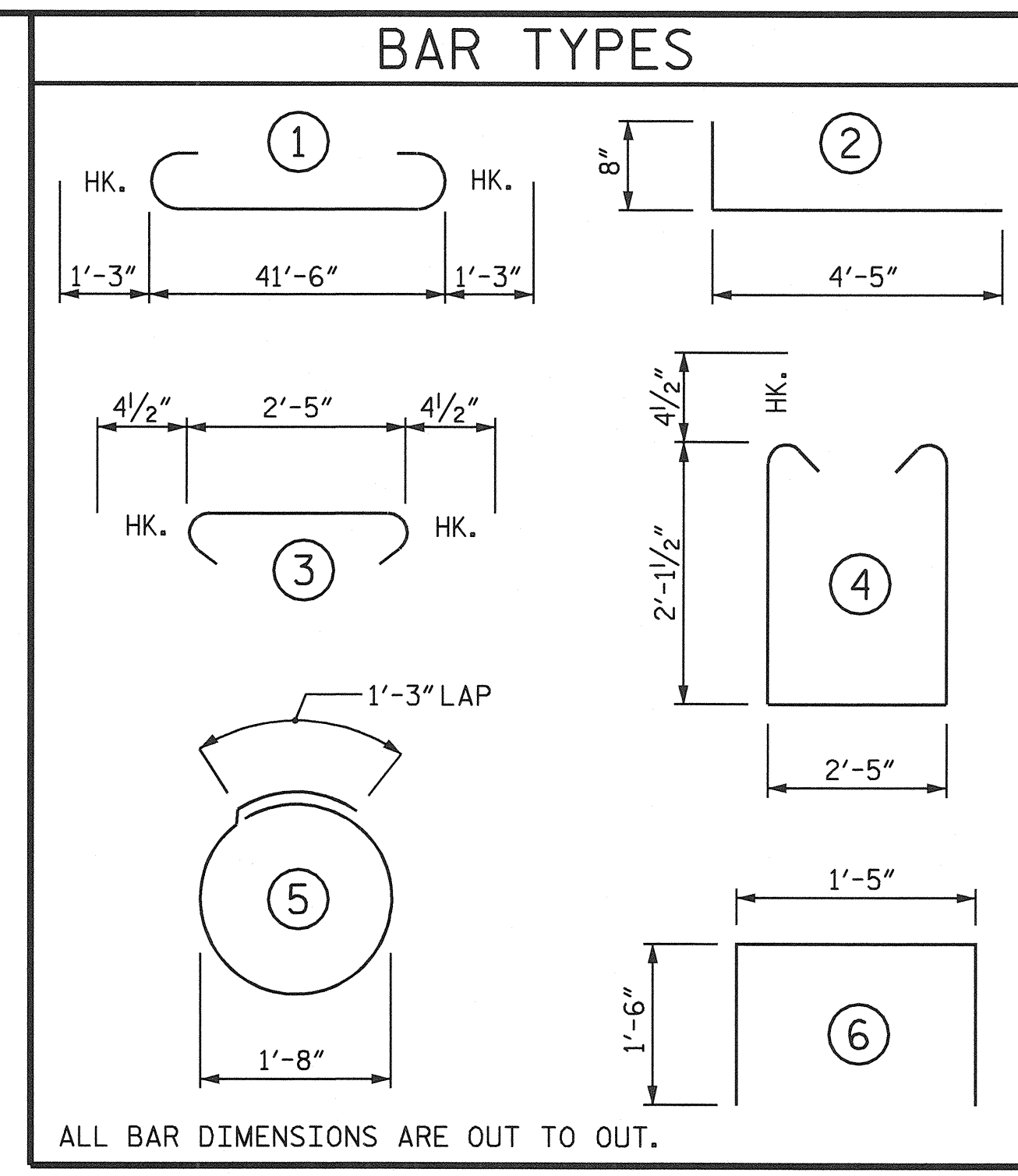
SECTION Y-Y



ELEVATION W2

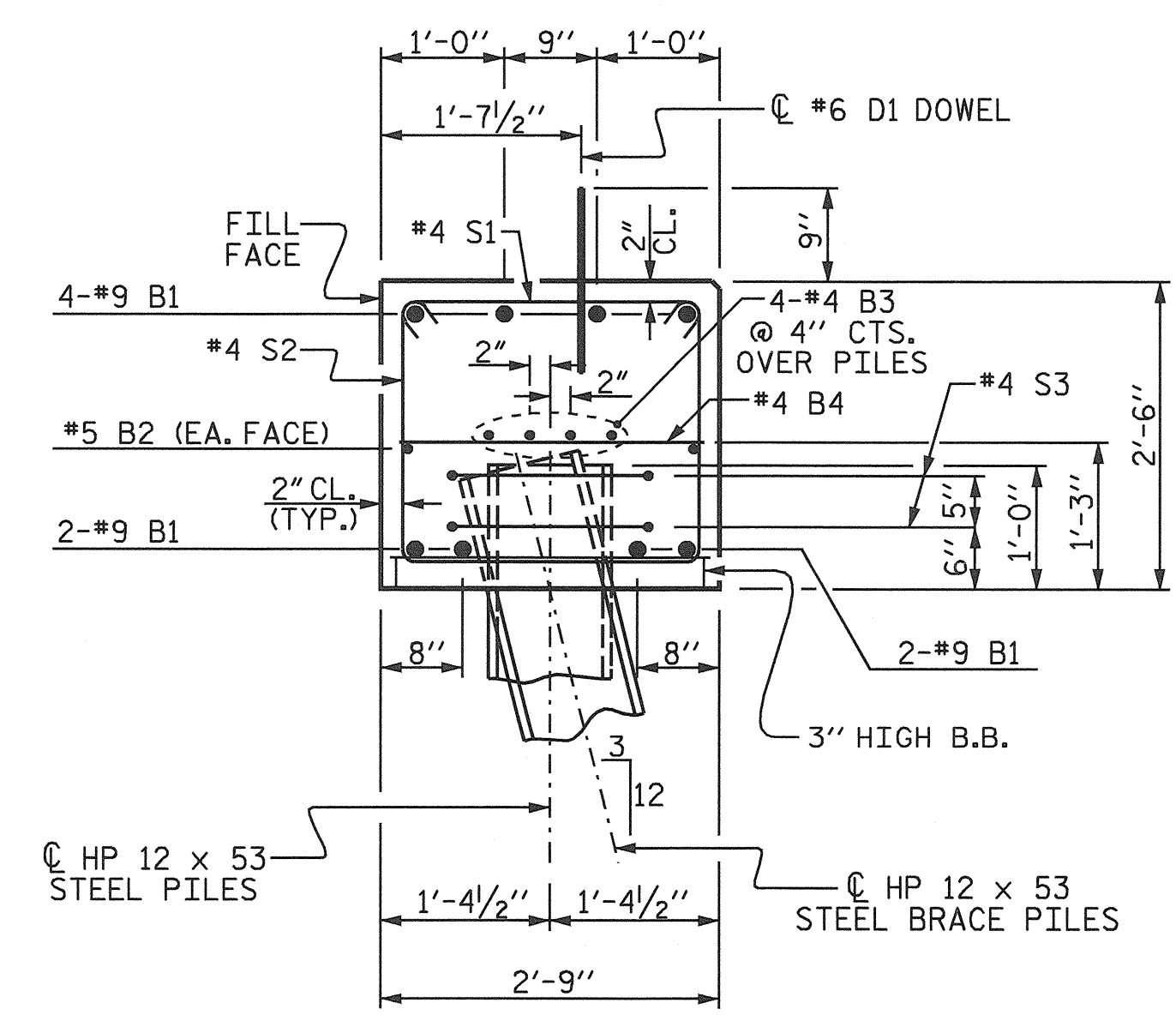


ELEVATION W1

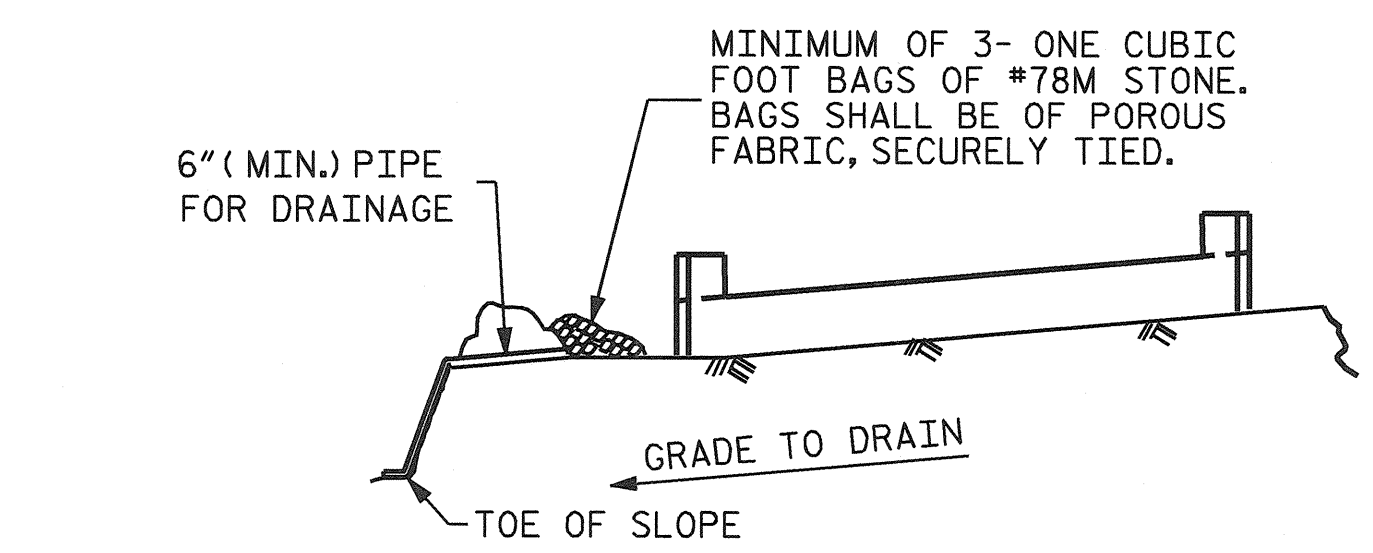


ALL BAR DIMENSIONS ARE OUT TO OUT.

BILL OF MATERIAL					
END BENT 2					
BAR	NO.	SIZE	TYPE	LENGTH	WEIGHT
B1	8	#9	1	44'-0"	1197
B2	2	#5	STR	41'-8"	87
B3	8	#4	STR	22'-1"	118
B4	11	#4	STR	2'-5"	18
D1	24	#6	STR	1'-6"	54
H1	8	#4	STR	2'-6"	13
H2	20	#4	2	5'-1"	68
S1	37	#4	3	3'-2"	78
S2	37	#4	4	7'-5"	183
S3	12	#4	5	6'-6"	52
S4	4	#4	6	4'-5"	12
V1	16	#4	STR	4'-0"	43
V2	16	#4	STR	3'-10"	41
REINFORCING STEEL				LBS	1964
CLASS 'A' CONCRETE					
POUR #1: CAP & WINGS				CU. YDS.	11.4
POUR #2: WINGS				CU. YDS.	0.9
POUR #3: LATERAL GUIDES				CU. YDS.	0.1
TOTAL:				CU. YDS.	12.4
HP 12 X 53 STEEL PILES				NO. 6	
				LIN. FT.	60
STEEL PILE POINTS				EA.	6



SECTION A-A



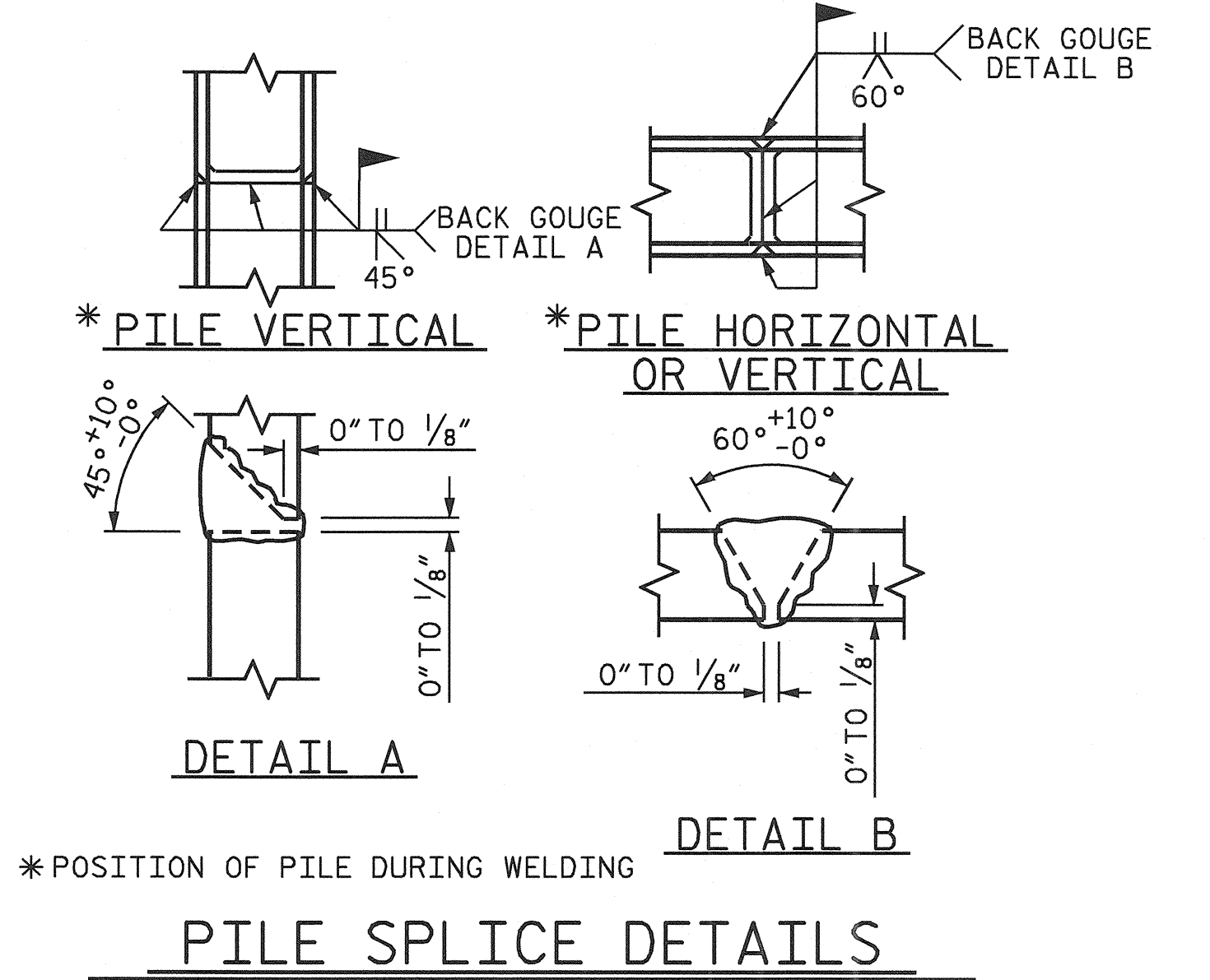
MINIMUM OF 3- ONE CUBIC FOOT BAGS OF #78M STONE. BAGS SHALL BE OF POROUS FABRIC, SECURELY TIED.

BAGGED STONE AND PIPE SHALL BE PLACED IMMEDIATELY AFTER COMPLETION OF END BENT EXCAVATION. PIPE MAY BE EITHER CONCRETE, CORRUGATED STEEL, CORRUGATED ALUMINUM ALLOY, OR CORRUGATED PLASTIC. PERFORATED PIPE WILL NOT BE ALLOWED.

BAGGED STONE SHALL REMAIN IN PLACE UNTIL THE ENGINEER DIRECTS THAT IT BE REMOVED. THE CONTRACTOR SHALL REMOVE AND DISPOSE OF SILT ACCUMULATIONS AT BAGGED STONE WHEN SO DIRECTED BY THE ENGINEER. BAGS SHALL BE REMOVED AND REPLACED WHENEVER THE ENGINEER DETERMINES THAT THEY HAVE DETERIORATED AND LOST THEIR EFFECTIVENESS.

NO SEPARATE PAYMENT WILL BE MADE FOR THIS WORK AND THE ENTIRE COST OF THIS WORK SHALL BE INCLUDED IN THE UNIT CONTRACT PRICE BID FOR THE SEVERAL PAY ITEMS.

TEMPORARY DRAINAGE AT END BENT

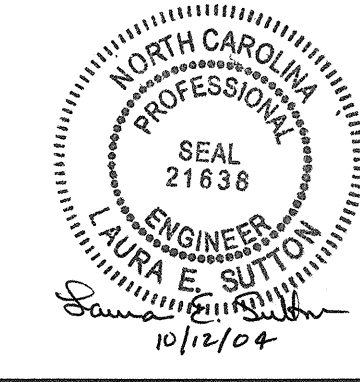


PILE SPLICE DETAILS

PROJECT NO. B-3530  
WAKE COUNTY  
STATION: 15+83.00 -L-

SHEET 2 OF 2

REVISIONS						SHEET NO.
NO.	BY:	DATE:	NO.	BY:	DATE:	S-17
1			3			TOTAL SHEETS
2			4			21



24 SEP 2004 11:50 W:\S\2004\B3530\Wellton\B3530.sd.E\*01.dgn

DRAWN BY: J.L.W./A.S. CALLAWAY DATE: 2-3-04  
CHECKED BY: B.N. BARODAWALA DATE: 3-19-04