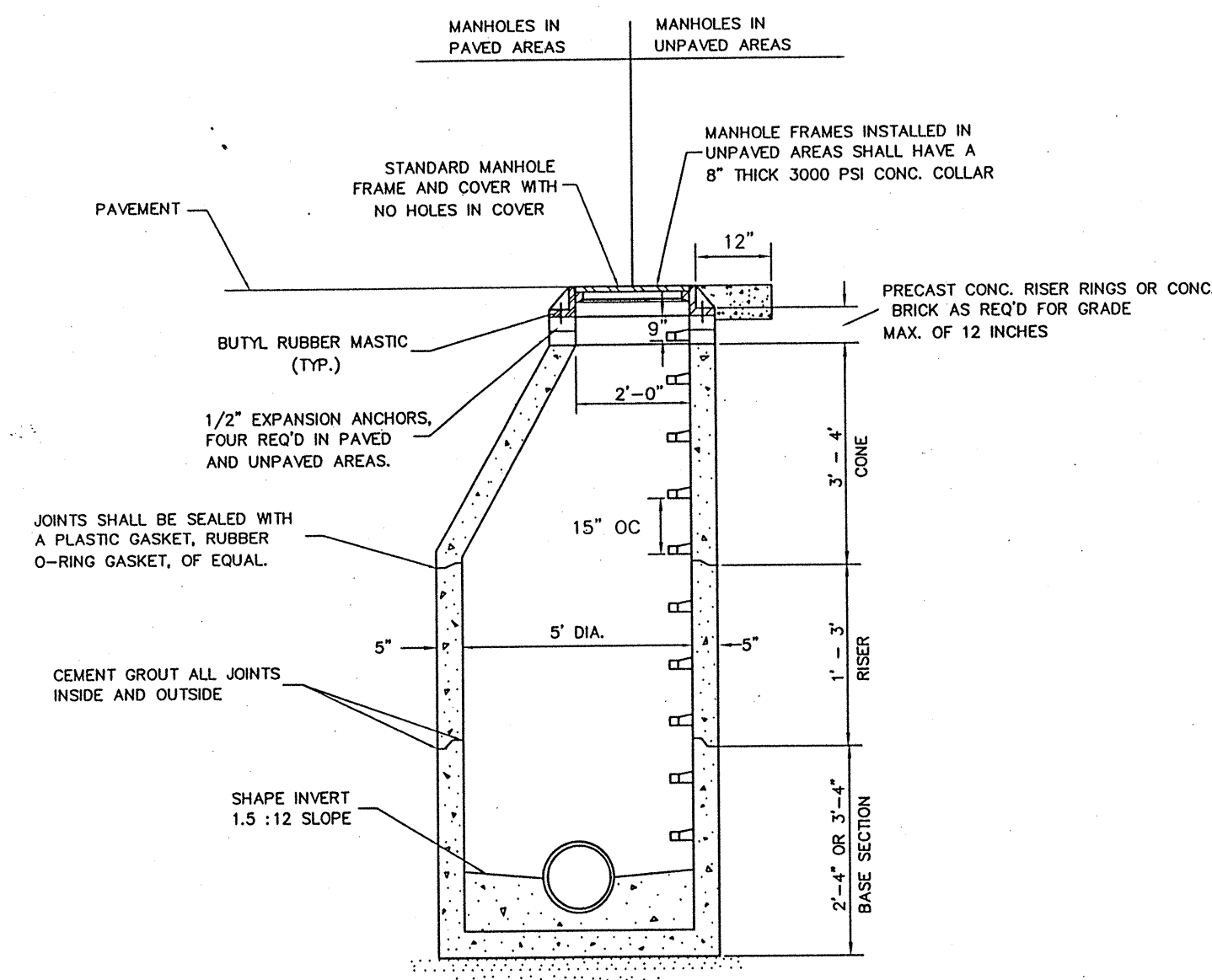
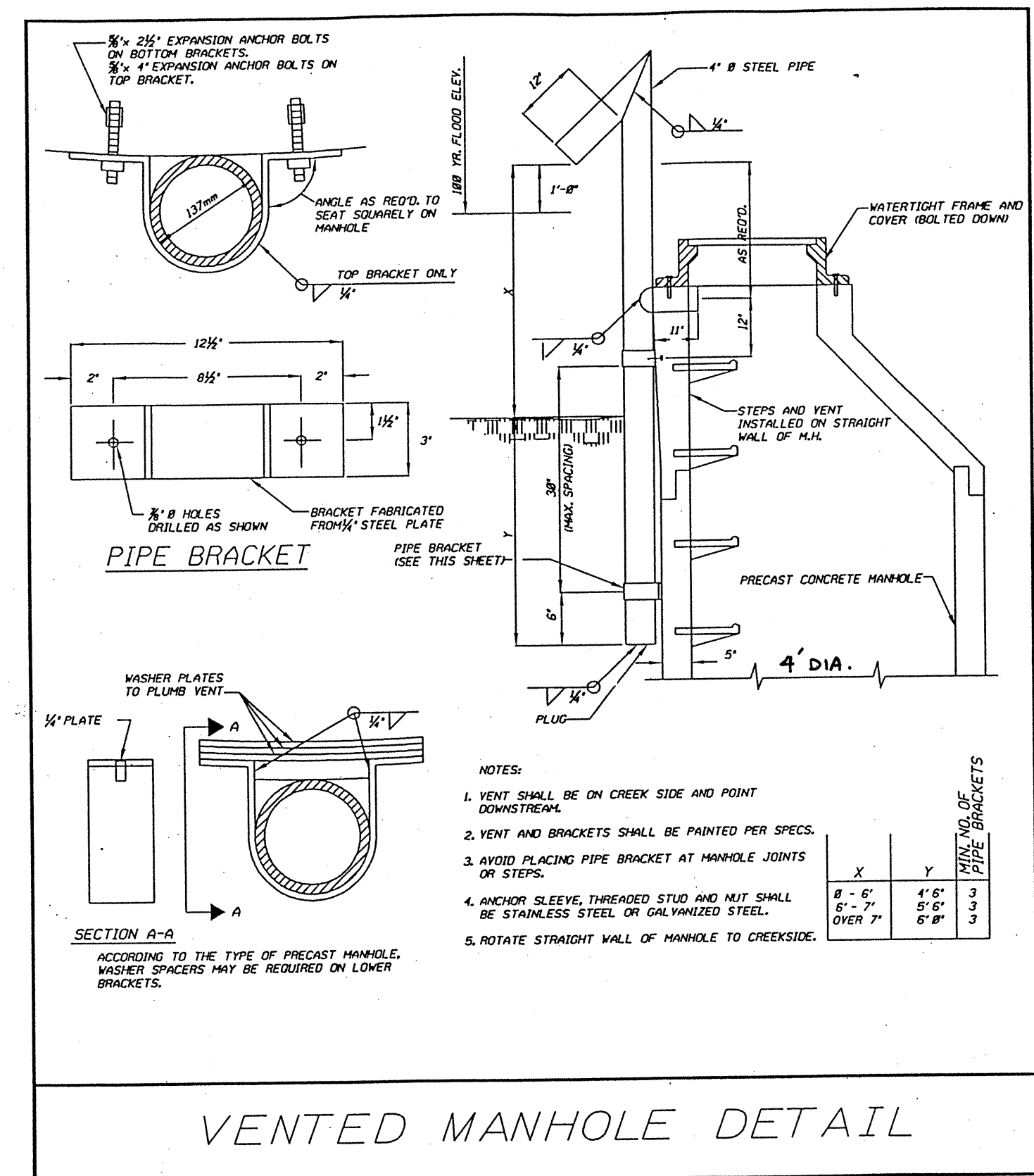


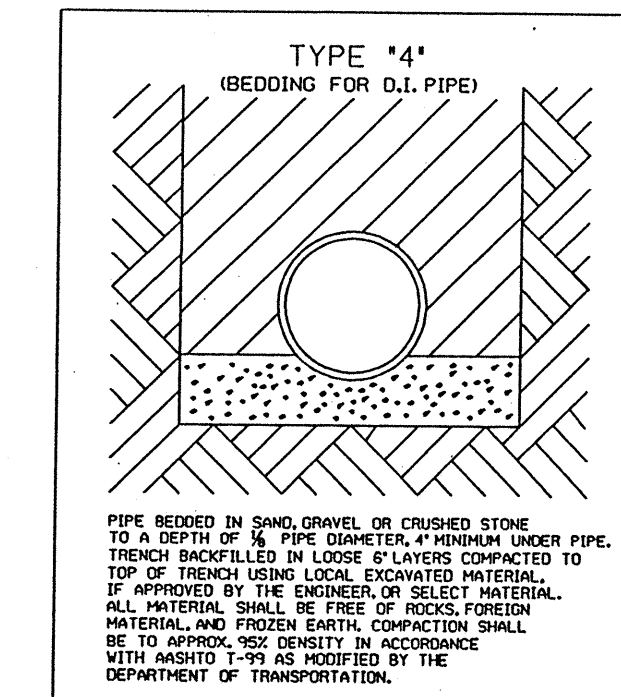
**UTILITY CONSTRUCTION**



TYPICAL PRECAST MANHOLE WITH CONCRETE BOTTOM



VENTED MANHOLE DETAIL



MAXIMUM TRENCH WIDTH AT TOP OF PIPE			
NOMINAL PIPE SIZE (INCHES)	TRENCH WIDTH (INCHES)	NOMINAL PIPE SIZE (INCHES)	TRENCH WIDTH (INCHES)
4	28	28	44
6	38	24	48
8	32	30	54
10	34	36	60
12	36	42	66
14	38	48	72
16	48	54	78
18	42		