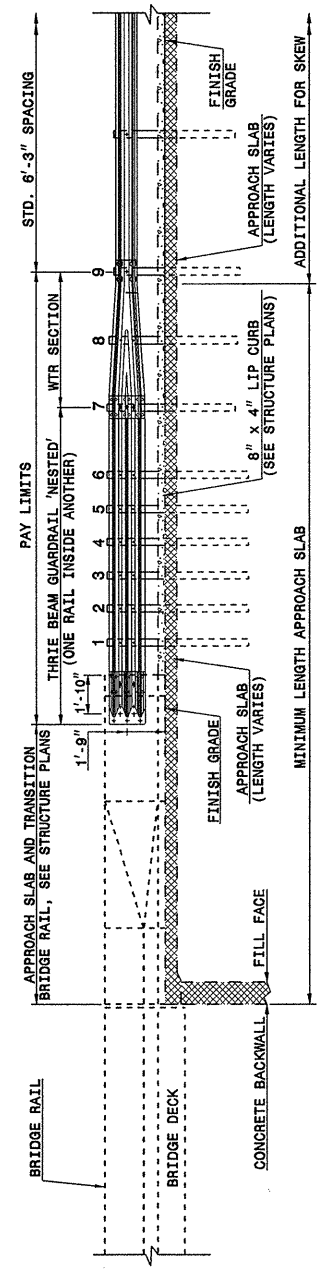


STATE OF NORTH CAROLINA  
DEPT. OF TRANSPORTATION  
DIVISION OF HIGHWAYS  
RALEIGH, N.C.

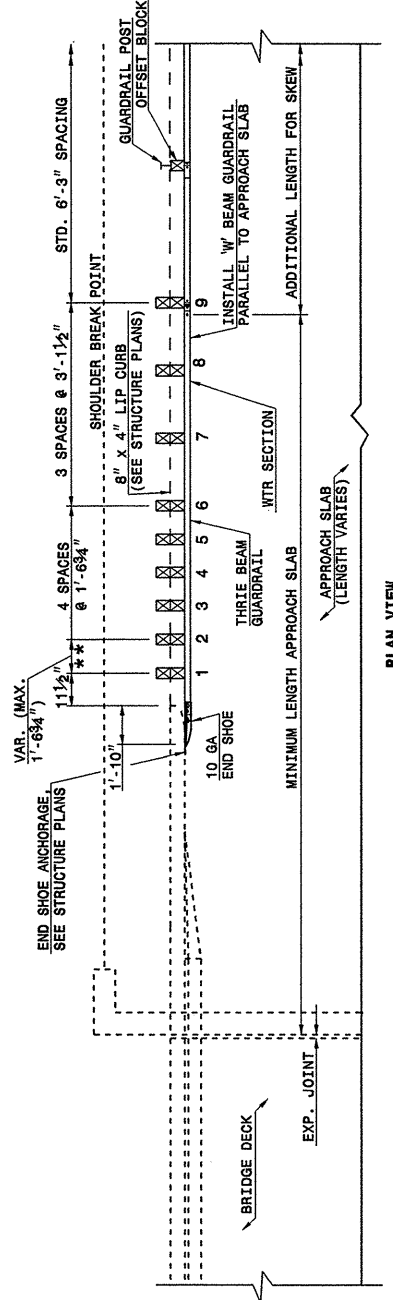
ENGLISH DETAIL DRAWING FOR  
**STRUCTURE ANCHOR UNITS**  
GUARDRAIL ANCHOR UNIT, TYPE III  
FOR ATTACHMENT TO RAIL ON APPROACH SLAB

SHEET 3 OF 4  
**862D03**



**ELEVATION**

**NOTE:**  
 \*\*POST NOT REQUIRED FOR SKEW ANGLES GREATER THAN 150° OR LESS THAN 30° UNLESS OTHERWISE DIRECTED BY THE ENGINEER.  
 -MEASURE GUARDRAIL HEIGHT FROM THE TOP OF ADJACENT SURFACE (SHOULDER, BERM, OR GUTTER).  
 -USE NO STEEL POSTS WITHIN THE GUARDRAIL ANCHOR UNIT LIMITS.  
 -LAP JOINTS IN THE DIRECTION OF TRAFFIC FLOW.  
 -SEE SHEET 4 FOR POST SECTIONS 1 THRU 9.



**PLAN VIEW**

**GUARDRAIL ANCHOR UNIT, TYPE III  
FOR ATTACHMENT TO RAIL ON APPROACH SLAB**

STATE OF NORTH CAROLINA  
DEPT. OF TRANSPORTATION  
DIVISION OF HIGHWAYS  
RALEIGH, N.C.

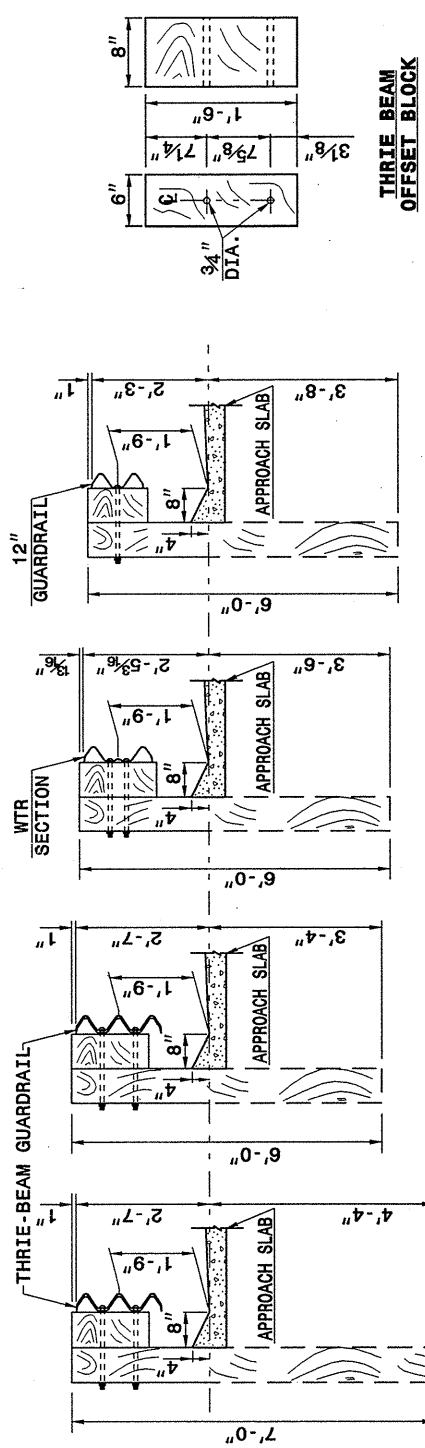
ENGLISH DETAIL DRAWING FOR  
**STRUCTURE ANCHOR UNITS**  
GUARDRAIL ANCHOR UNIT, TYPE III  
FOR ATTACHMENT TO RAIL ON APPROACH SLAB

SHEET 3 OF 4  
**862D03**

STATE OF NORTH CAROLINA  
DEPT. OF TRANSPORTATION  
DIVISION OF HIGHWAYS  
RALEIGH, N.C.

ENGLISH DETAIL DRAWING FOR  
**STRUCTURE ANCHOR UNITS**  
GUARDRAIL ANCHOR UNIT, TYPE III

SHEET 4 OF 4  
**862D03**

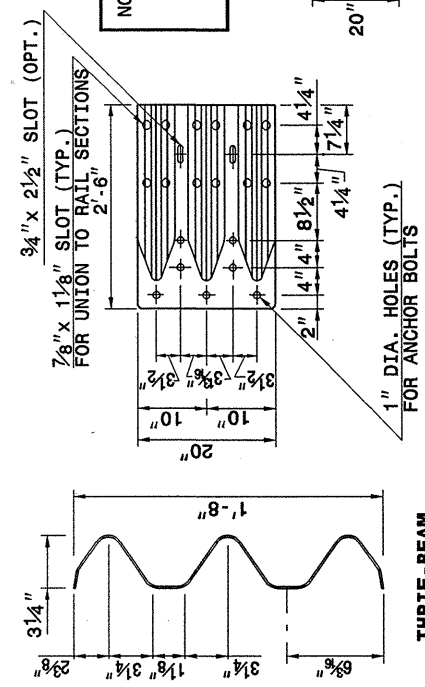


**SECTION OF THRIE BEAM POSTS 1 THRU 6**

**SECTION OF THRIE BEAM POST 7**

**SECTION OF WTR BEAM POST 8**

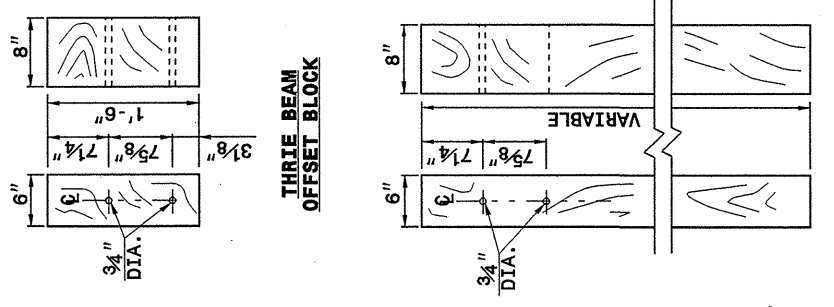
**SECTION OF 'w' BEAM POST 9**



**THRIE-BEAM SECTION**

**END SHOE**

**WTR SECTION ELEVATION VIEW**



**THRIE BEAM OFFSET BLOCK**

**THRIE BEAM LINE POST**

**NOTE:** THE MID POST AND OFFSET BLOCK OF THE WTR SECTION WILL REQUIRE SPECIAL BOLT HOLE DRILLING IN THE THRIE BEAM OFFSET BLOCK AND LINE POST.

STATE OF NORTH CAROLINA  
DEPT. OF TRANSPORTATION  
DIVISION OF HIGHWAYS  
RALEIGH, N.C.

ENGLISH DETAIL DRAWING FOR  
**STRUCTURE ANCHOR UNITS**  
GUARDRAIL ANCHOR UNIT, TYPE III

SHEET 4 OF 4  
**862D03**

**PROJECT SERVICES UNIT  
STANDARDS AND SPECIAL DESIGN**  
Office 919-250-4128 FAX 919-250-4119

**SEE PLATE FOR TITLE**

ORIGINAL BY: 2002 STANDARDS DATE: 01-15-02  
 MODIFIED BY: E.E. WARD DATE: 04-07-04  
 CHECKED BY: DATE:  
 FILE SPEC.: stds/02stdstodetails/engish/862d03.dgn