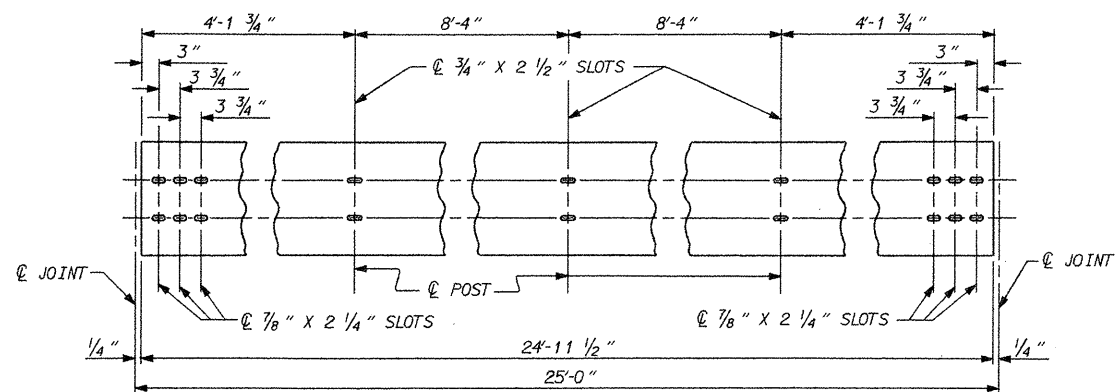
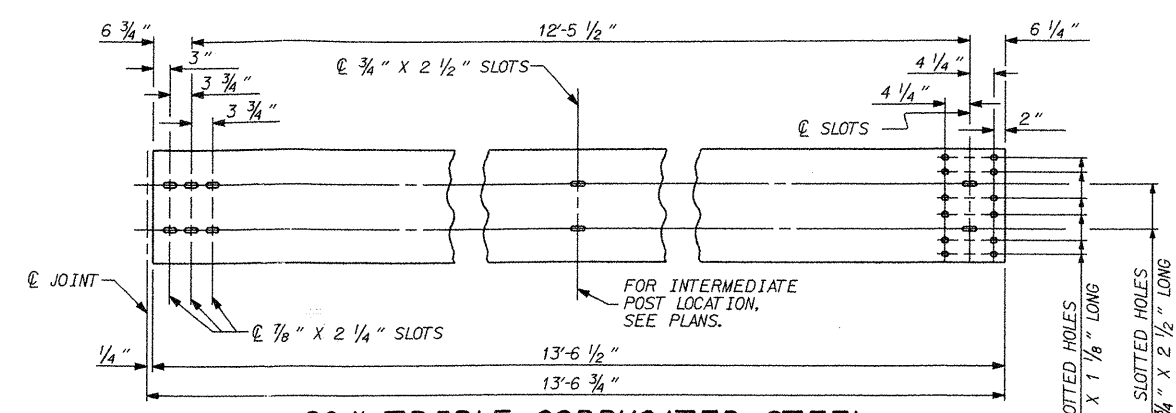


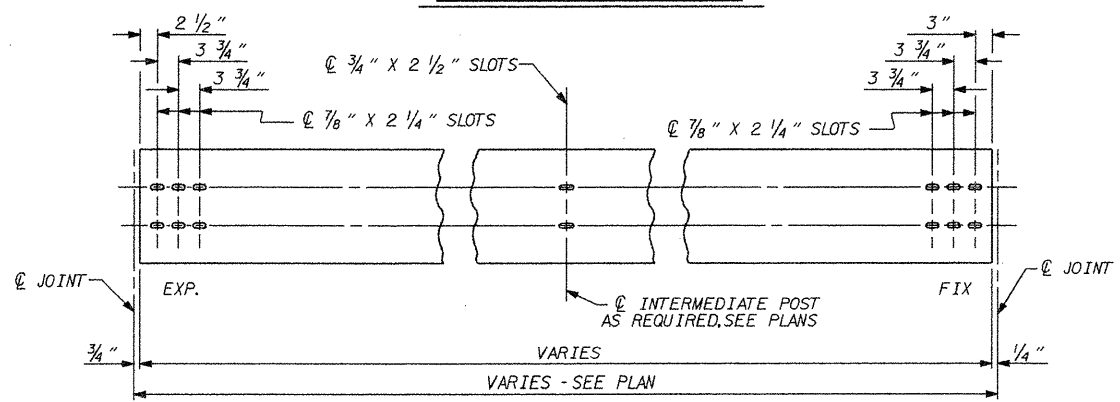
STATE	PROJECT NO.	SHEET NO.	TOTAL SHEETS
N. C.			
F. A. PROJ. NO.			



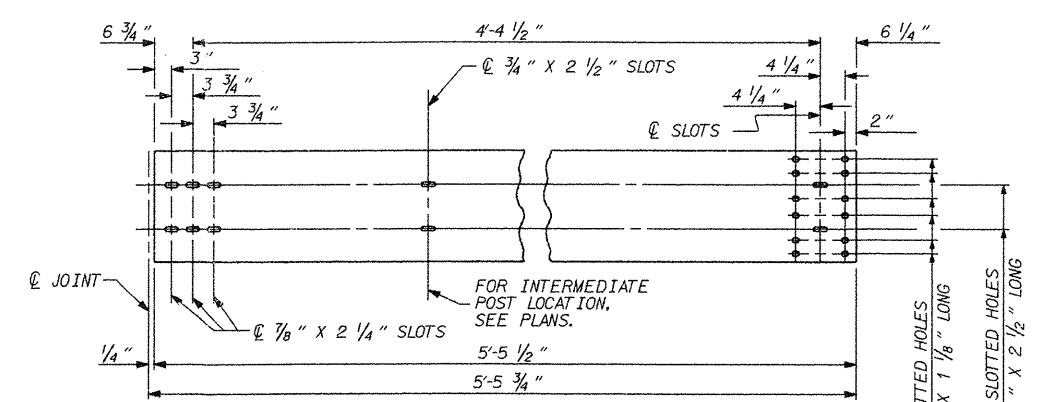
**ELEVATION TUBULAR BEAM
STANDARD RAIL**



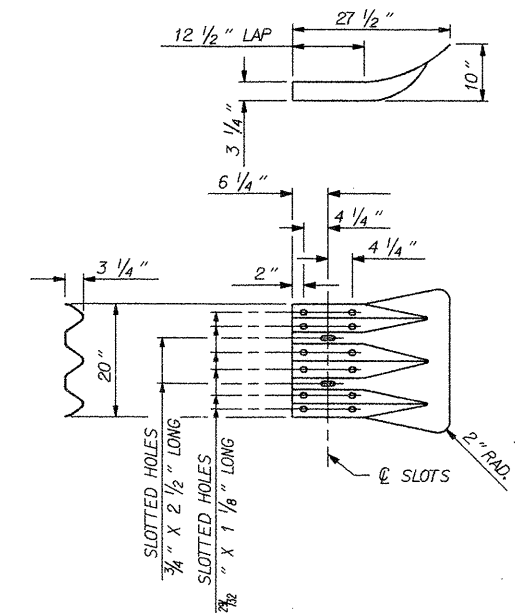
**20" TRIPLE CORRUGATED STEEL
BEAM GUARDRAIL - "C1"**



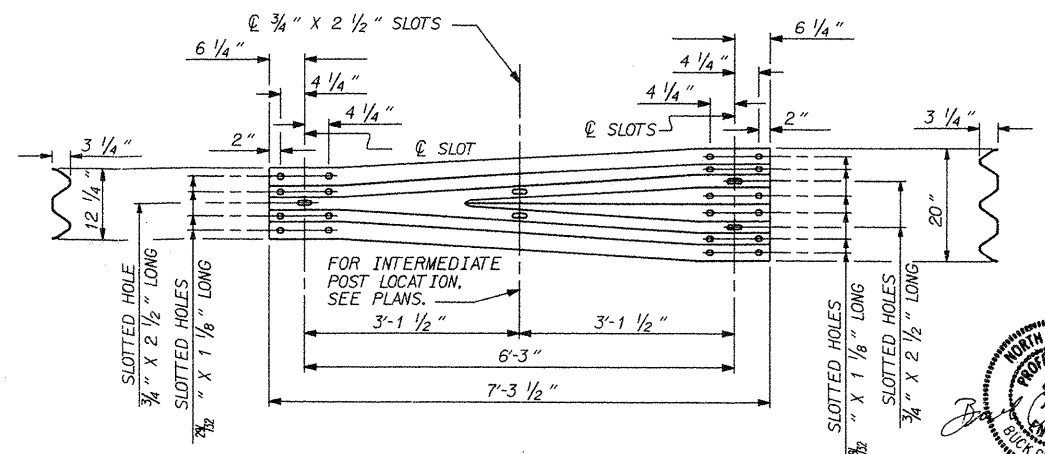
**ELEVATION TUBULAR BEAM
EXPANSION RAIL FOR TYPE 1 SPLICE**



**20" TRIPLE CORRUGATED STEEL
BEAM GUARDRAIL - "C2"**



**TRIPLE CORRUGATED GUARDRAIL
TERMINAL SECTION**



W-TR GUARDRAIL TRANSITIONAL SECTION

PROJECT NO. 37489
TYRELL COUNTY
 STATION: _____

SHEET 4 OF 5

STATE OF NORTH CAROLINA
 DEPARTMENT OF TRANSPORTATION
 RALEIGH
**DETAILS FOR RETROFIT
 OF EXISTING BRIDGE
 RAIL WITH TUBULAR
 BEAM GUARDRAIL**



ASSEMBLED BY: S.H. SOCKWELL	DATE: 7/22/04	SPECIAL
CHECKED BY: B.C. HUNT	DATE: 7/22/04	
DRAWN BY: N.M. RUFFIN	DATE: 5/88	STANDARD
CHECKED BY:	DATE:	

REVISIONS						SHEET NO.
NO.	BY:	DATE:	NO.	BY:	DATE:	10
1			3			TOTAL SHEETS
2			4			10

GARD PRF

23-JUL-2004 08:36
 *****DON*****
 ssockwell
 ADDED TO CADD 5/88 BY: NMR CHECKED BY: