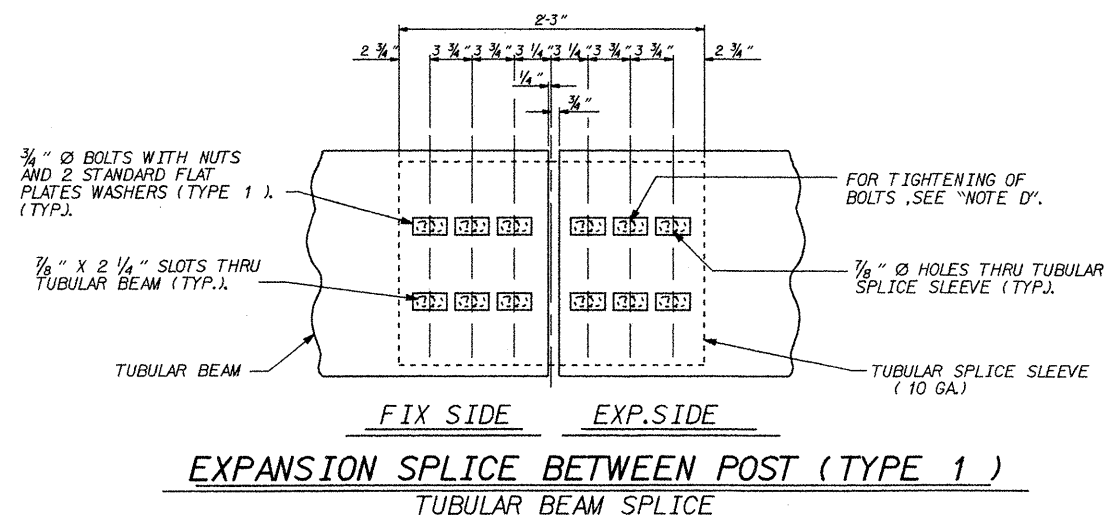
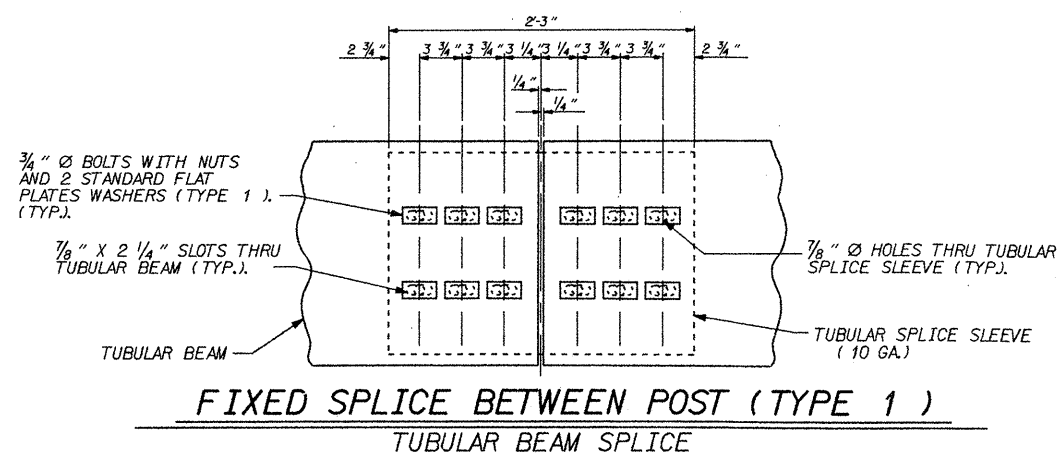
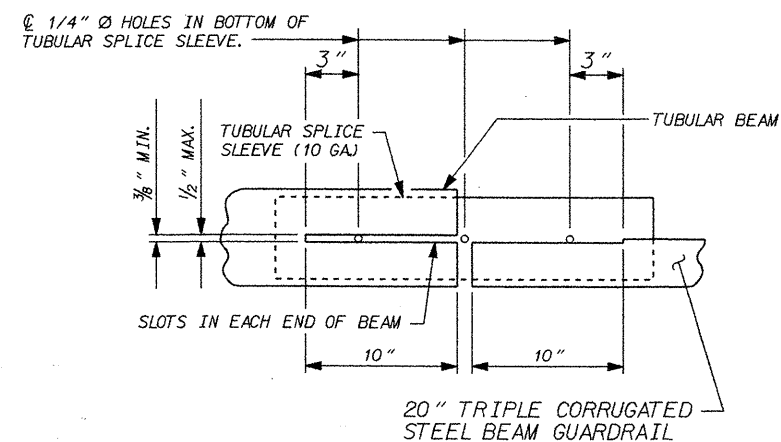
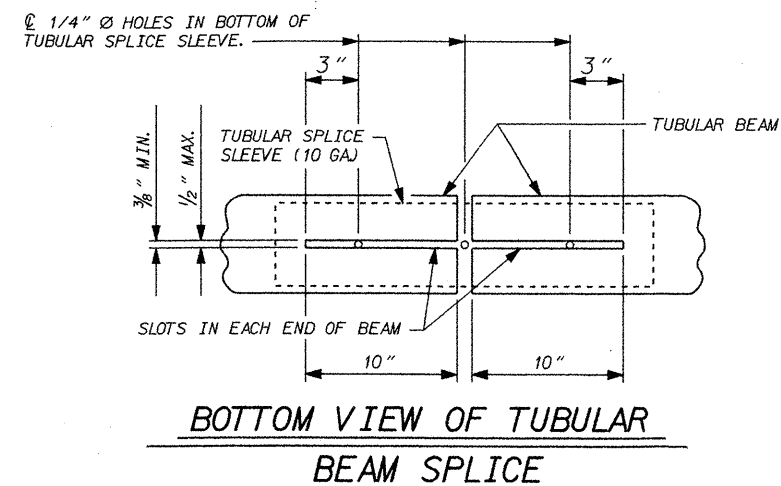


STATE	PROJECT NO.	SHEET NO.	TOTAL SHEETS
N. C.			
F. A. PROJ. NO.			

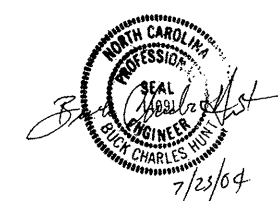


"NOTE D": BOLTS ON EXPANSION SIDE OF TUBULAR BEAM SPLICE SHALL BE TIGHTENED FINGER TIGHT. DOUBLE NUTS SHALL BE USED AND TIGHTENED AGAINST EACH OTHER TO PREVENT THE NUTS FROM BECOMING LOOSE ON THE BOLT.



PROJECT NO. 37489
TYRELL COUNTY
STATION: _____

SHEET 5 OF 5



STATE OF NORTH CAROLINA DEPARTMENT OF TRANSPORTATION RALEIGH					
DETAILS FOR RETROFIT OF EXISTING BRIDGE RAIL WITH TUBULAR BEAM GUARDRAIL					
REVISIONS					SHEET NO.
NO.	BY:	DATE:	NO.	BY:	DATE:
1			3		
2			4		
					TOTAL SHEETS 11
					16

ASSEMBLED BY : S.H. SOCKWELL	DATE : 7/22/04	SPECIAL
CHECKED BY : B.C. HUNT	DATE : 7/22/04	
DRAWN BY : N.M. RUFFIN	DATE : 5/88	STANDARD
CHECKED BY : S.B. WILLIAMS	DATE : 5/92	

GAR3 RRF

23-JUL-2004 08:38 SCKWBI ADD TO CADD 5/88 BY: NMR CHECKED BY: SBW 5/92