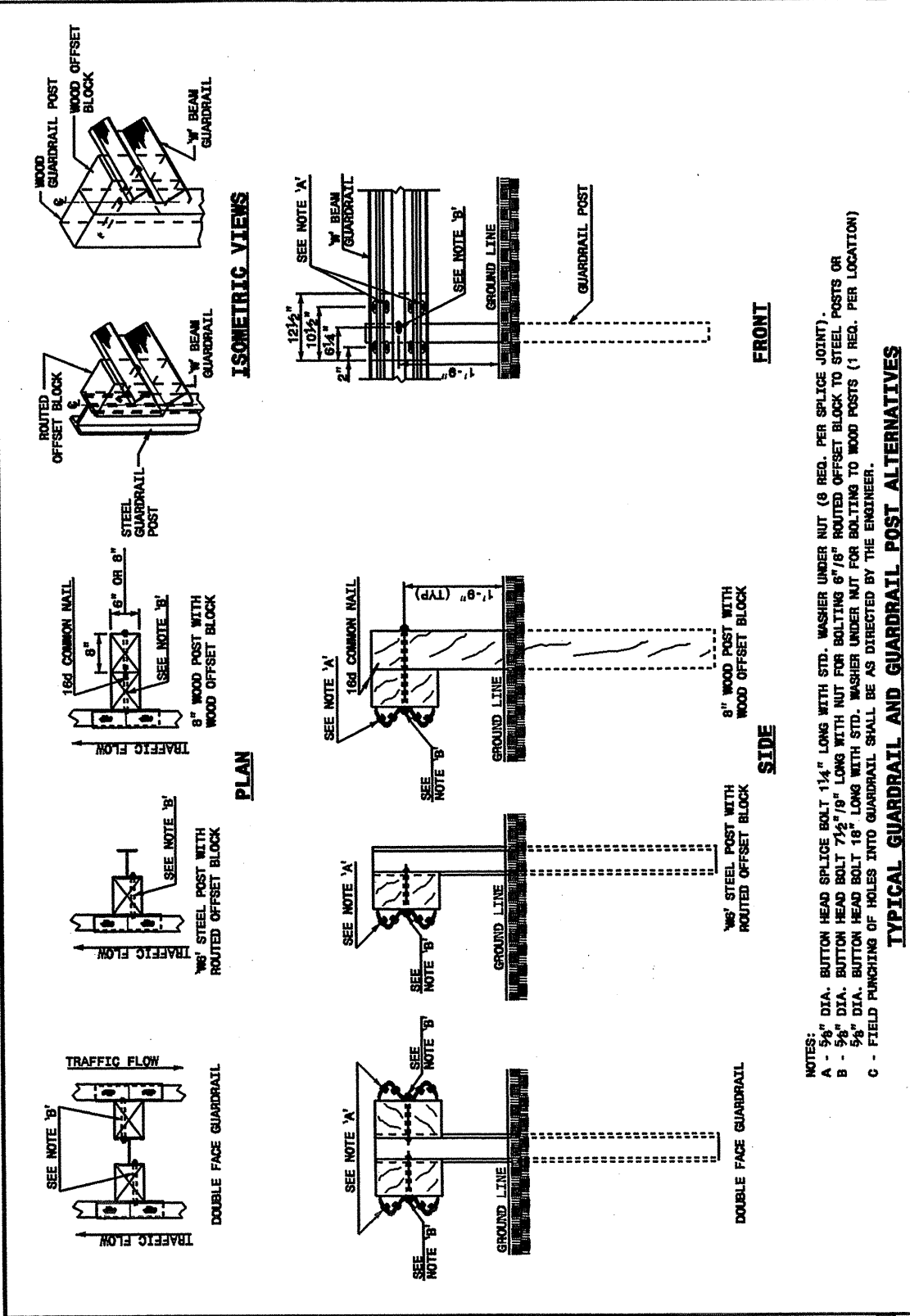


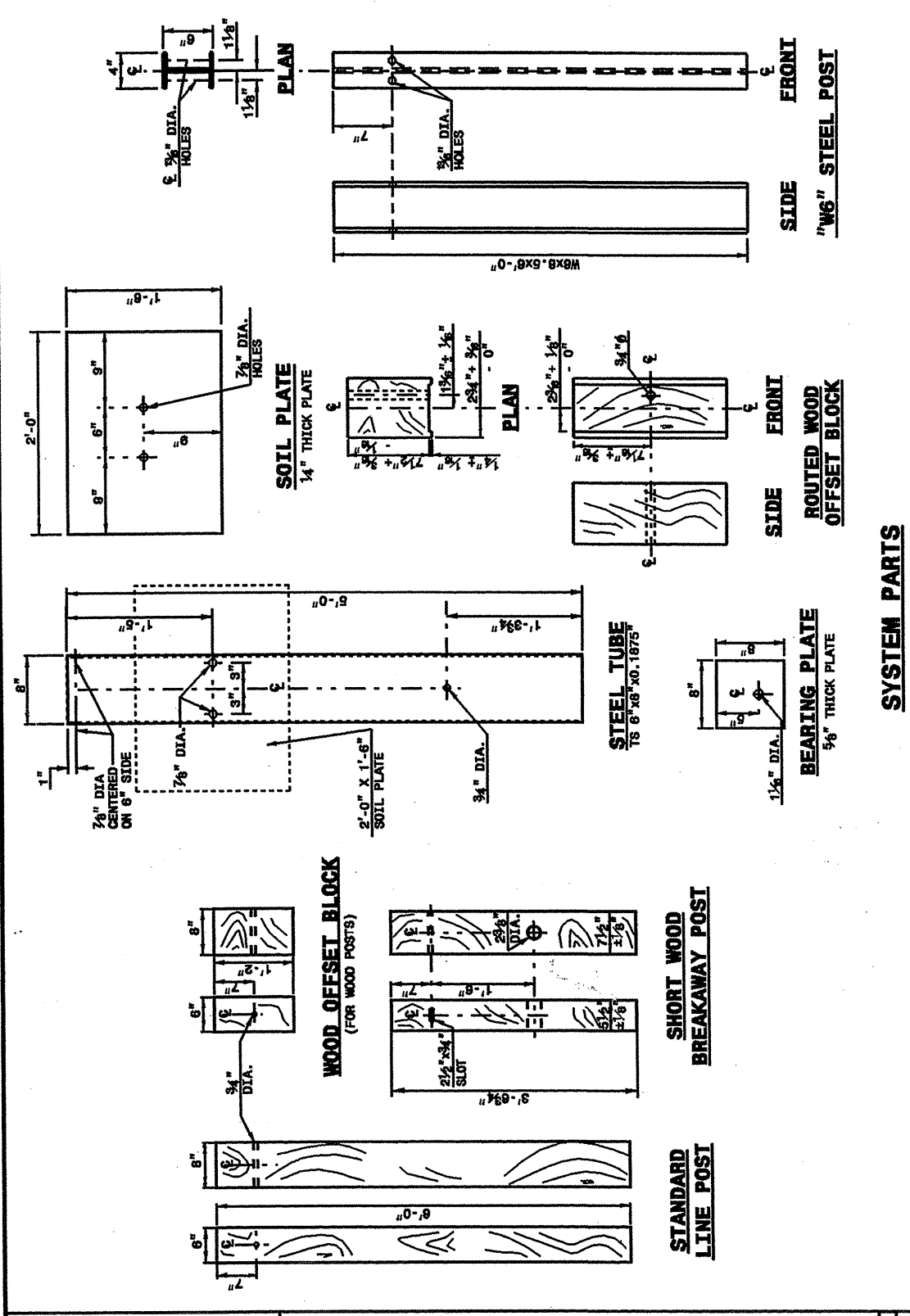
30-JUN-2003 10:35 W:\Special Details\encl\ward\stds\02 Stds to Special Details\english\86202\0862d02.dgn  
 5/14/99  
 86202

STATE OF NORTH CAROLINA DEPT. OF TRANSPORTATION DIVISION OF HIGHWAYS RALEIGH, N.C.  
 ENGLISH DETAIL DRAWING FOR GUARDRAIL INSTALLATION  
 SHEET 3 OF 7 862D02



STATE OF NORTH CAROLINA DEPT. OF TRANSPORTATION DIVISION OF HIGHWAYS RALEIGH, N.C.  
 ENGLISH DETAIL DRAWING FOR GUARDRAIL INSTALLATION  
 SHEET 3 OF 7 862D02

STATE OF NORTH CAROLINA DEPT. OF TRANSPORTATION DIVISION OF HIGHWAYS RALEIGH, N.C.  
 ENGLISH DETAIL DRAWING FOR GUARDRAIL INSTALLATION  
 SHEET 4 OF 7 862D02



STATE OF NORTH CAROLINA DEPT. OF TRANSPORTATION DIVISION OF HIGHWAYS RALEIGH, N.C.  
 ENGLISH DETAIL DRAWING FOR GUARDRAIL INSTALLATION  
 SHEET 4 OF 7 862D02

DESIGN SERVICES UNIT  
 STANDARDS AND SPECIAL DESIGN  
 Office 919-250-4128 FAX 919-250-4119

**SEE PLATE FOR TITLE**

ORIGINAL BY: 2002 STD. 862.02 DATE: 02-09-03  
 MODIFIED BY: E.E. WARD DATE: 7-03  
 CHECKED BY: DATE: 7-03  
 FILE SPEC.: W:\Special Details\encl\ward\stds\02 Stds to Special Details\english\86202\0862d02.dgn