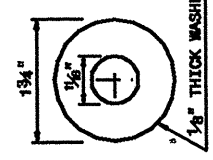
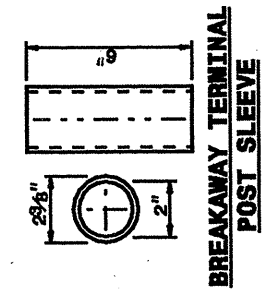


20 JUN 2003 10:55 \\p1eng\server\stds\02\stds to Special Details\english\86202\0862d02.dgn
 erickland AT 08212260

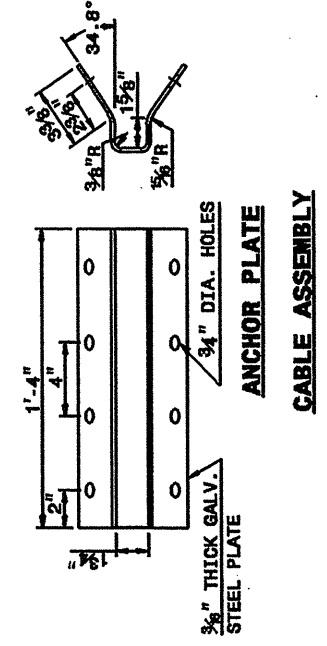
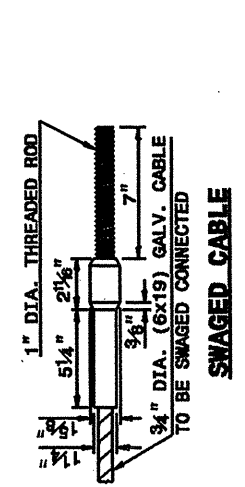
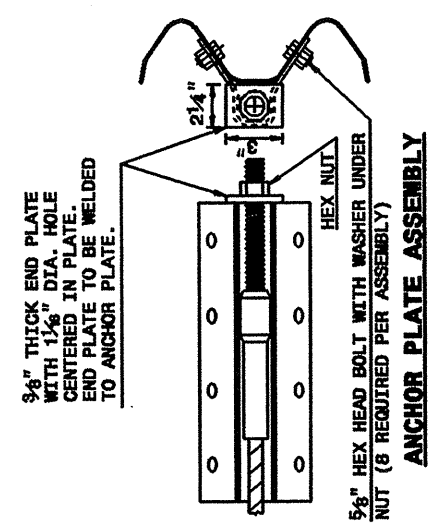
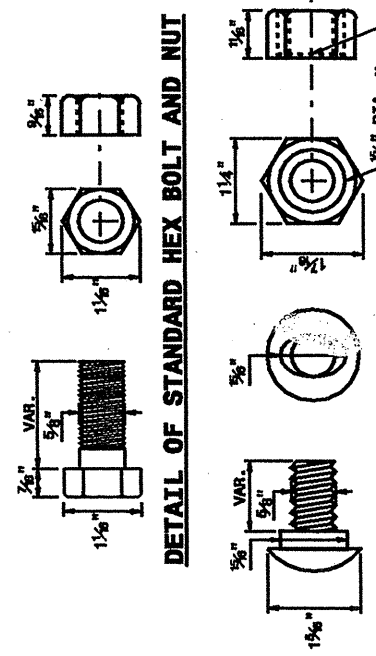
STATE OF NORTH CAROLINA
DEPT. OF TRANSPORTATION
DIVISION OF HIGHWAYS
RALEIGH, N.C.

ENGLISH DETAIL DRAWING FOR
GUARDRAIL INSTALLATION

SHEET 5 OF 7
862D02



DETAIL OF STANDARD WASHER
STANDARD WASHER: TYPICAL USE UNDER NUT WITH WOOD POST



SYSTEM PARTS

SHEET 5 OF 7
862D02

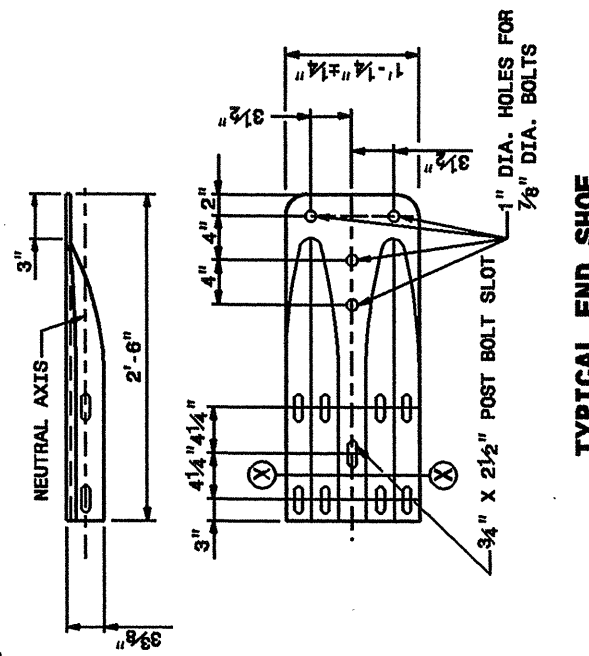
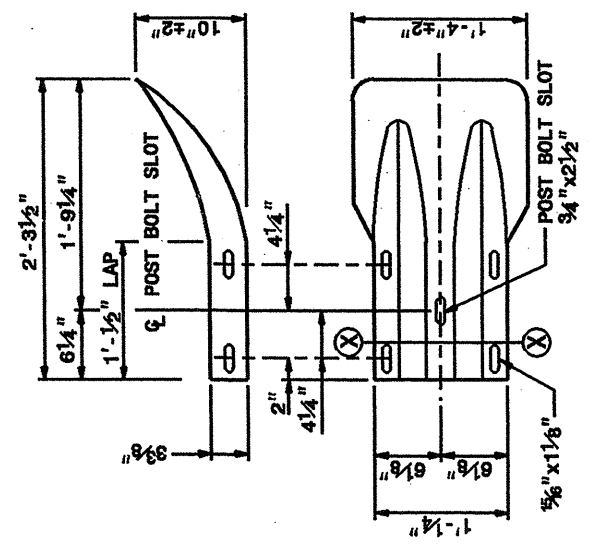
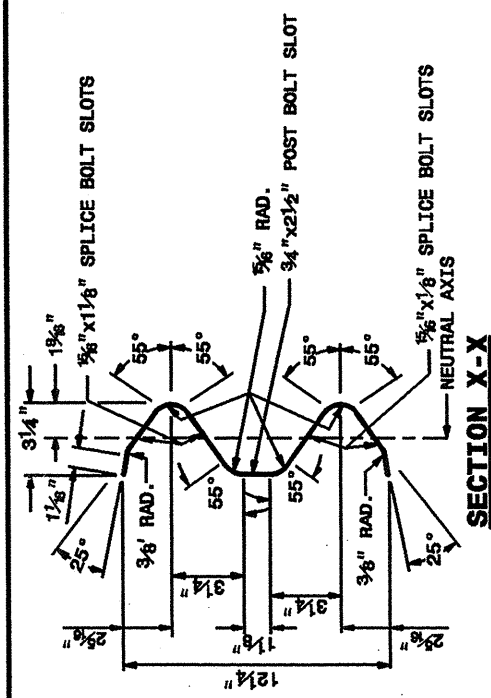
STATE OF NORTH CAROLINA
DEPT. OF TRANSPORTATION
DIVISION OF HIGHWAYS
RALEIGH, N.C.

ENGLISH DETAIL DRAWING FOR
GUARDRAIL INSTALLATION

STATE OF NORTH CAROLINA
DEPT. OF TRANSPORTATION
DIVISION OF HIGHWAYS
RALEIGH, N.C.

ENGLISH DETAIL DRAWING FOR
GUARDRAIL INSTALLATION

SHEET 6 OF 7
862D02



SYSTEM PARTS - GENERAL USE

SHEET 6 OF 7
862D02

ENGLISH DETAIL DRAWING FOR
GUARDRAIL INSTALLATION

STATE OF NORTH CAROLINA
DEPT. OF TRANSPORTATION
DIVISION OF HIGHWAYS
RALEIGH, N.C.

DESIGN SERVICES UNIT
STANDARDS AND SPECIAL DESIGN
Office 919-250-4128 FAX 919-250-4119

SEE PLATE FOR TITLE

ORIGINAL BY: 2002 STD. 862.02 DATE: 02-09-03
 MODIFIED BY: S.E. HAWD DATE: 02-09-03
 CHECKED BY: DATE: 02-09-03
 FILE SPEC.: \\p1eng\server\stds\02\stds to Special Details\english\86202\0862d02.dgn