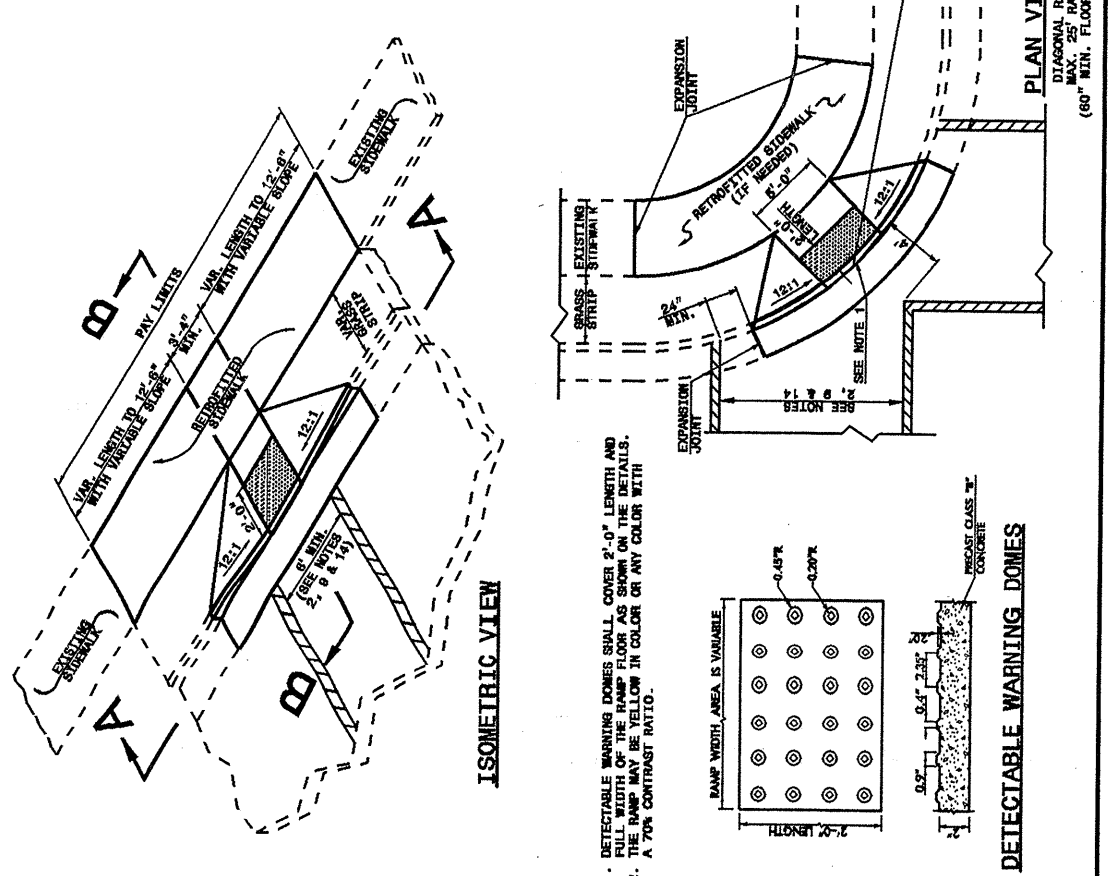
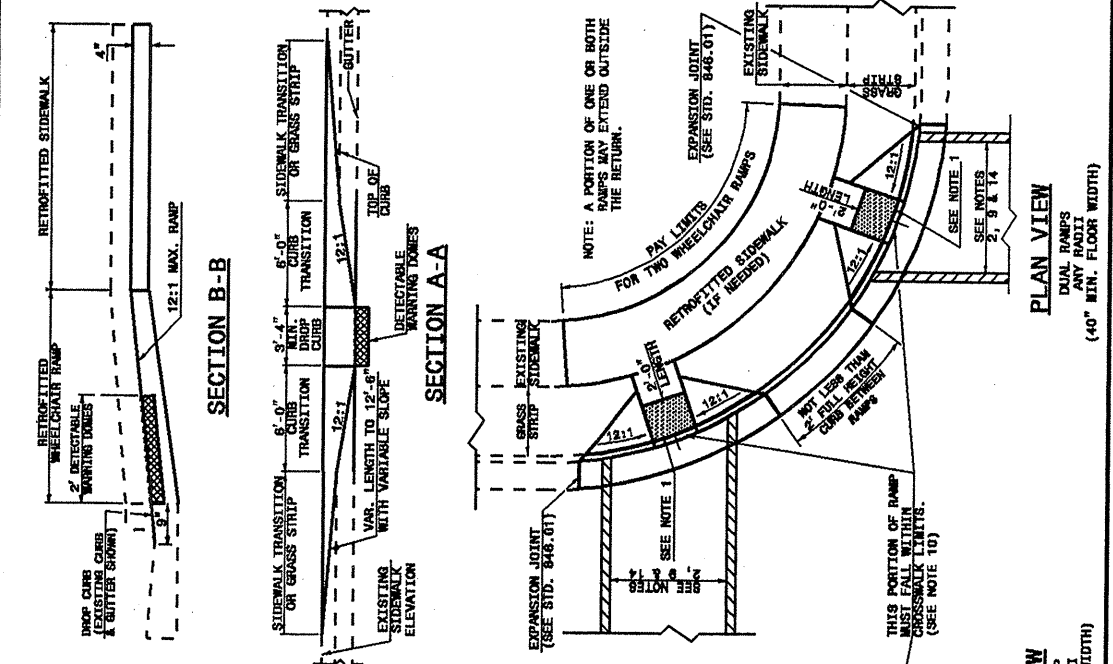


STATE OF NORTH CAROLINA  
DEPT. OF TRANSPORTATION  
DIVISION OF HIGHWAYS  
RALEIGH, N.C.

ENGLISH DETAIL DRAWING FOR  
**WHEELCHAIR RAMP AND EXISTING SIDEWALK WITH GRASS STRIP**  
CURB CUT

SHEET 1 OF 5  
**848D06**



STATE OF NORTH CAROLINA  
DEPT. OF TRANSPORTATION  
DIVISION OF HIGHWAYS  
RALEIGH, N.C.

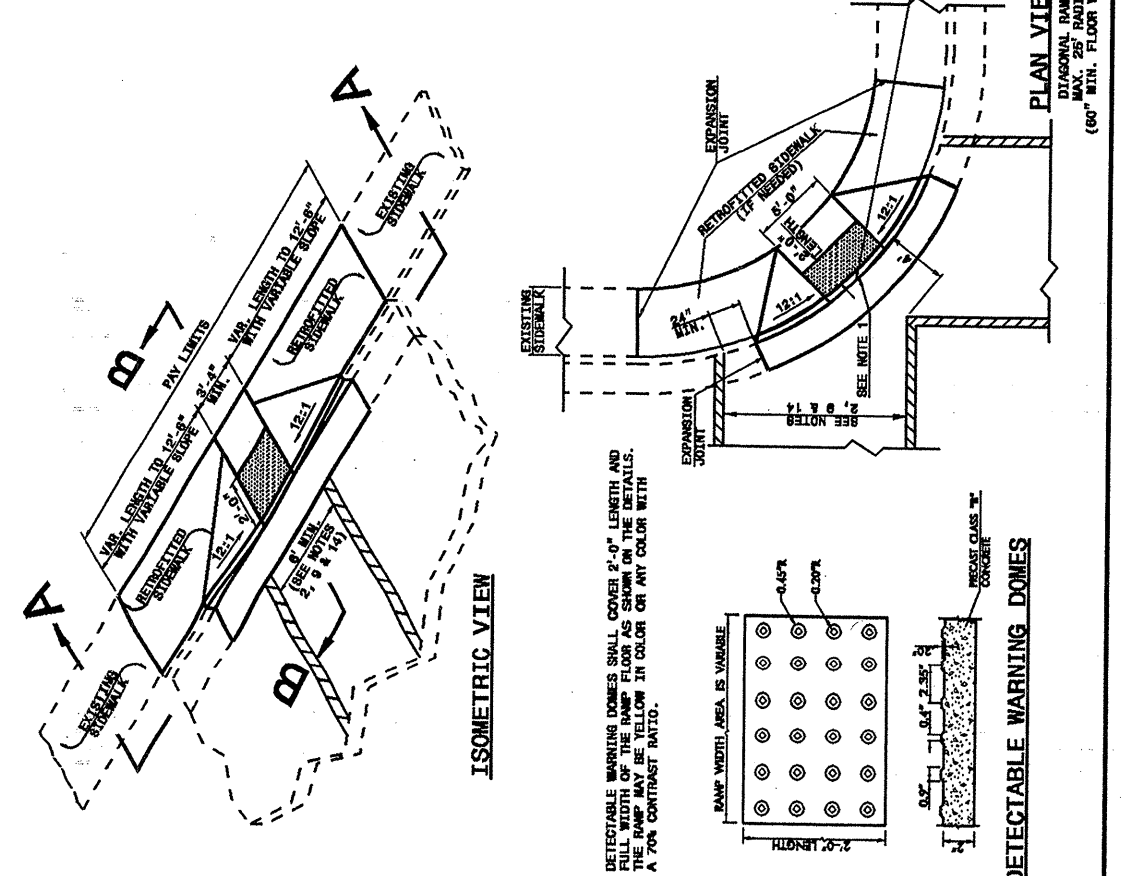
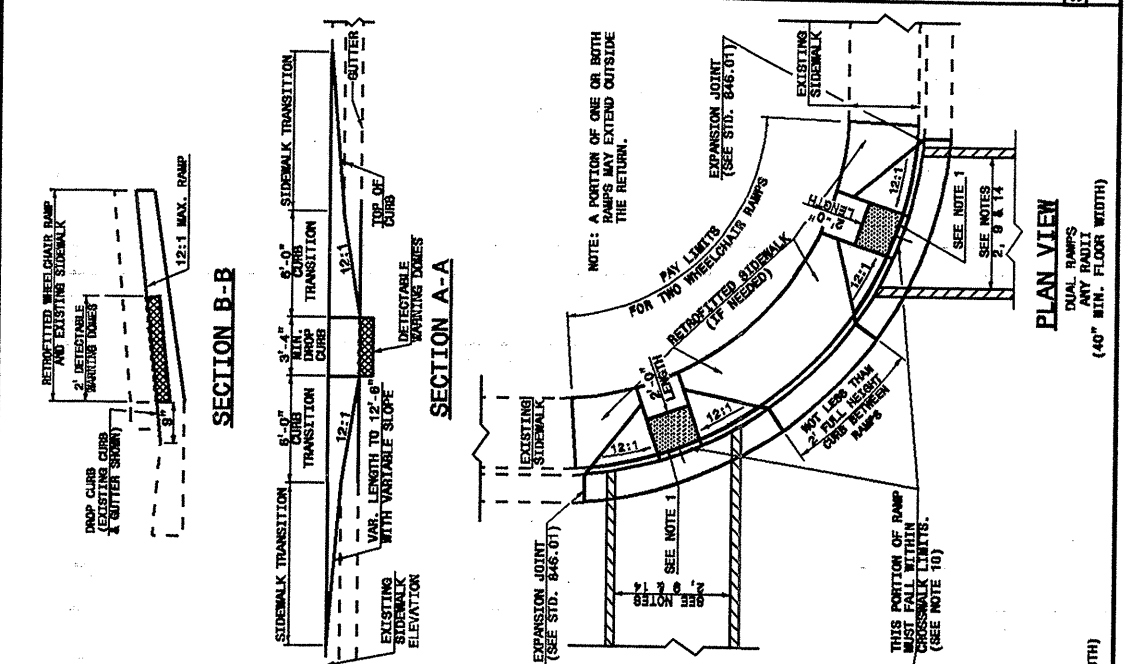
ENGLISH DETAIL DRAWING FOR  
**WHEELCHAIR RAMP AND EXISTING SIDEWALK WITH GRASS STRIP**  
CURB CUT

SHEET 1 OF 5  
**848D06**

STATE OF NORTH CAROLINA  
DEPT. OF TRANSPORTATION  
DIVISION OF HIGHWAYS  
RALEIGH, N.C.

ENGLISH DETAIL DRAWING FOR  
**WHEELCHAIR RAMP AND EXISTING SIDEWALK ADJACENT TO CURB**  
CURB CUT

SHEET 2 OF 5  
**848D06**



STATE OF NORTH CAROLINA  
DEPT. OF TRANSPORTATION  
DIVISION OF HIGHWAYS  
RALEIGH, N.C.

ENGLISH DETAIL DRAWING FOR  
**WHEELCHAIR RAMP AND EXISTING SIDEWALK ADJACENT TO CURB**  
CURB CUT

SHEET 2 OF 5  
**848D06**

**DESIGN SERVICES UNIT**  
**STANDARDS AND SPECIAL DESIGN**  
Office 919-250-4128 FAX 919-250-4119

**SEE PLATE FOR TITLE**

ORIGINAL BY: DETAIL 848D06 DATE: 08-18-03  
MODIFIED BY: E.E. WARD DATE: 08-18-03  
CHECKED BY: DATE: 08-03  
FILE SPEC.: /usr/etds/02todetail/eng1/84806/848D06.dgn

20-AUG-2003 14:41  
M:\Special Details\enclward\stds\02\stds to Special Details\enclsh\84806\0848D06.dgn  
enclward At 05212268