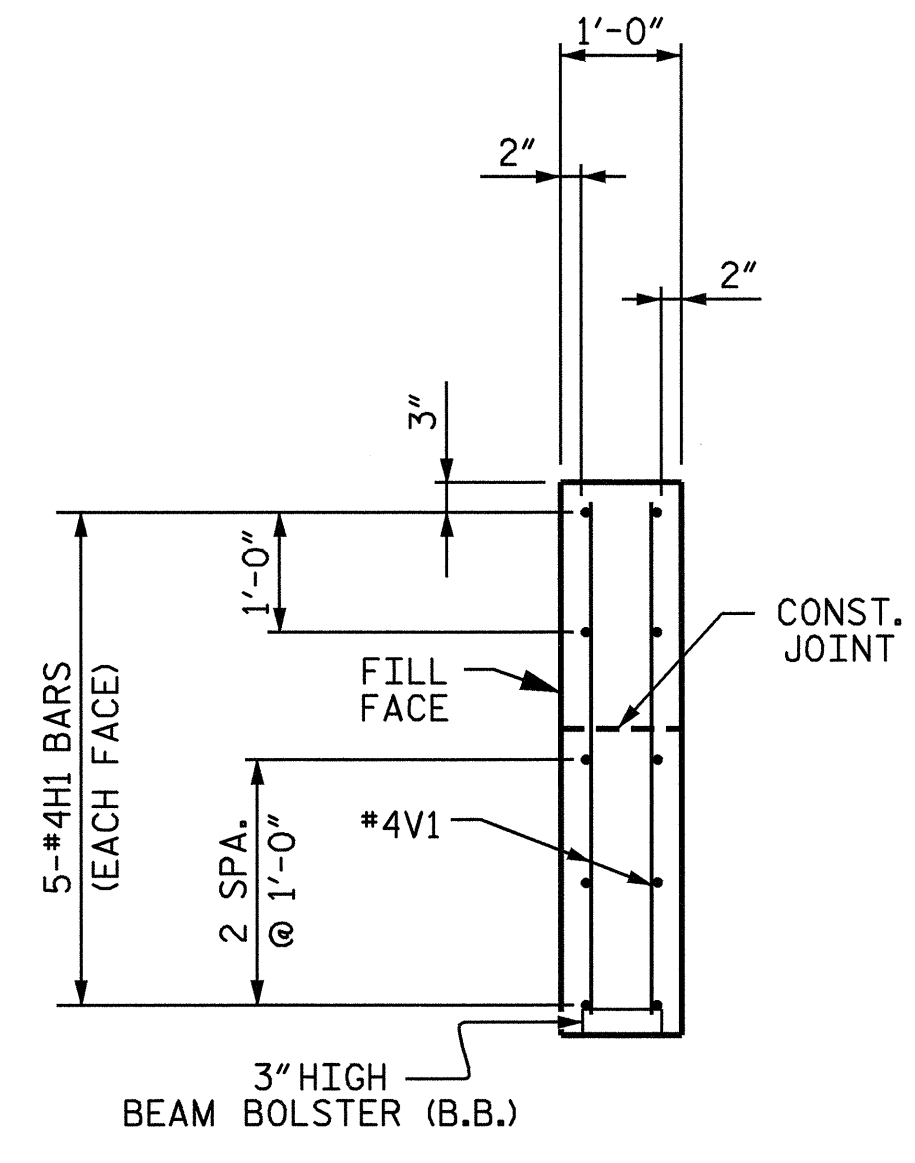
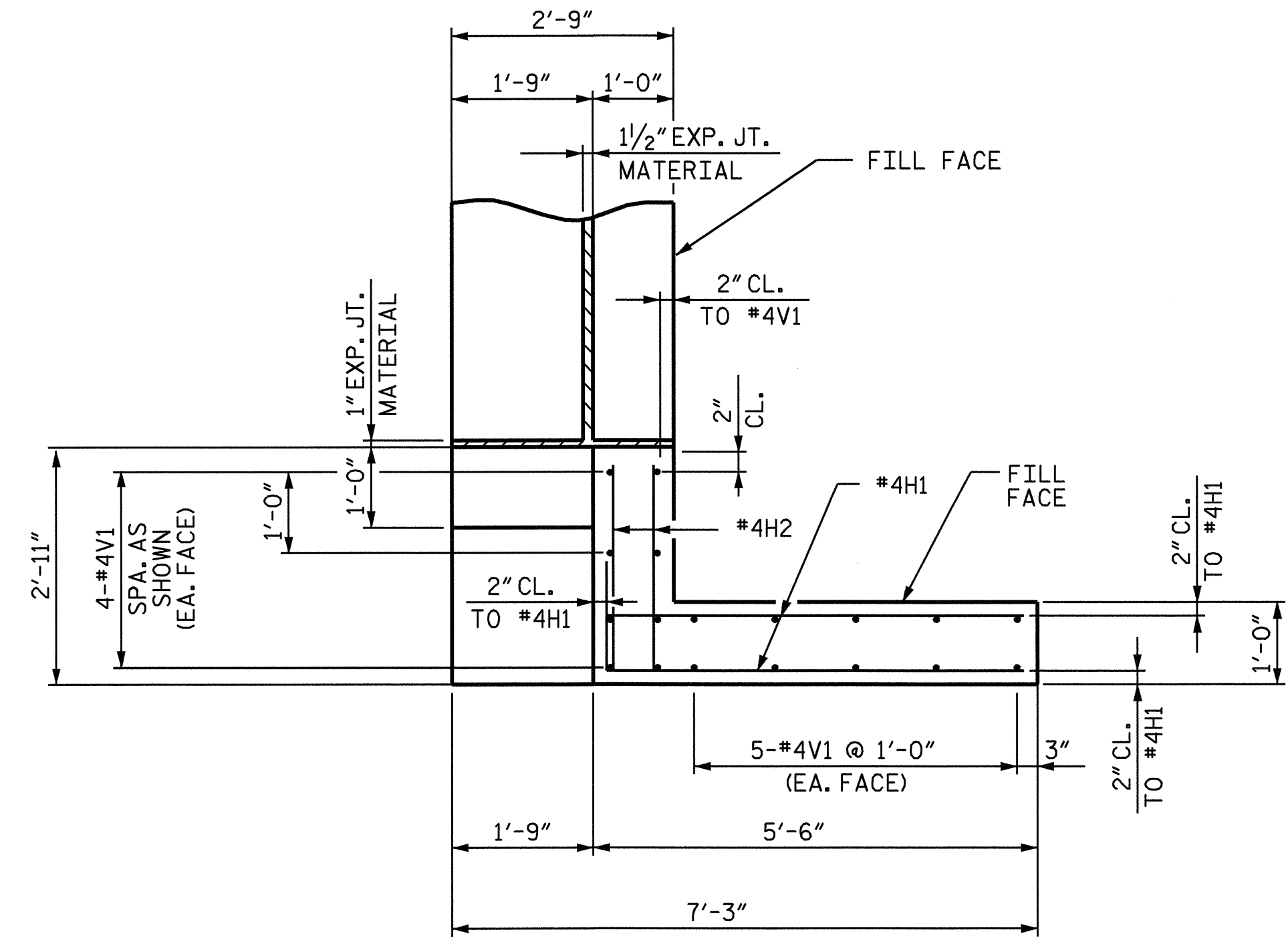


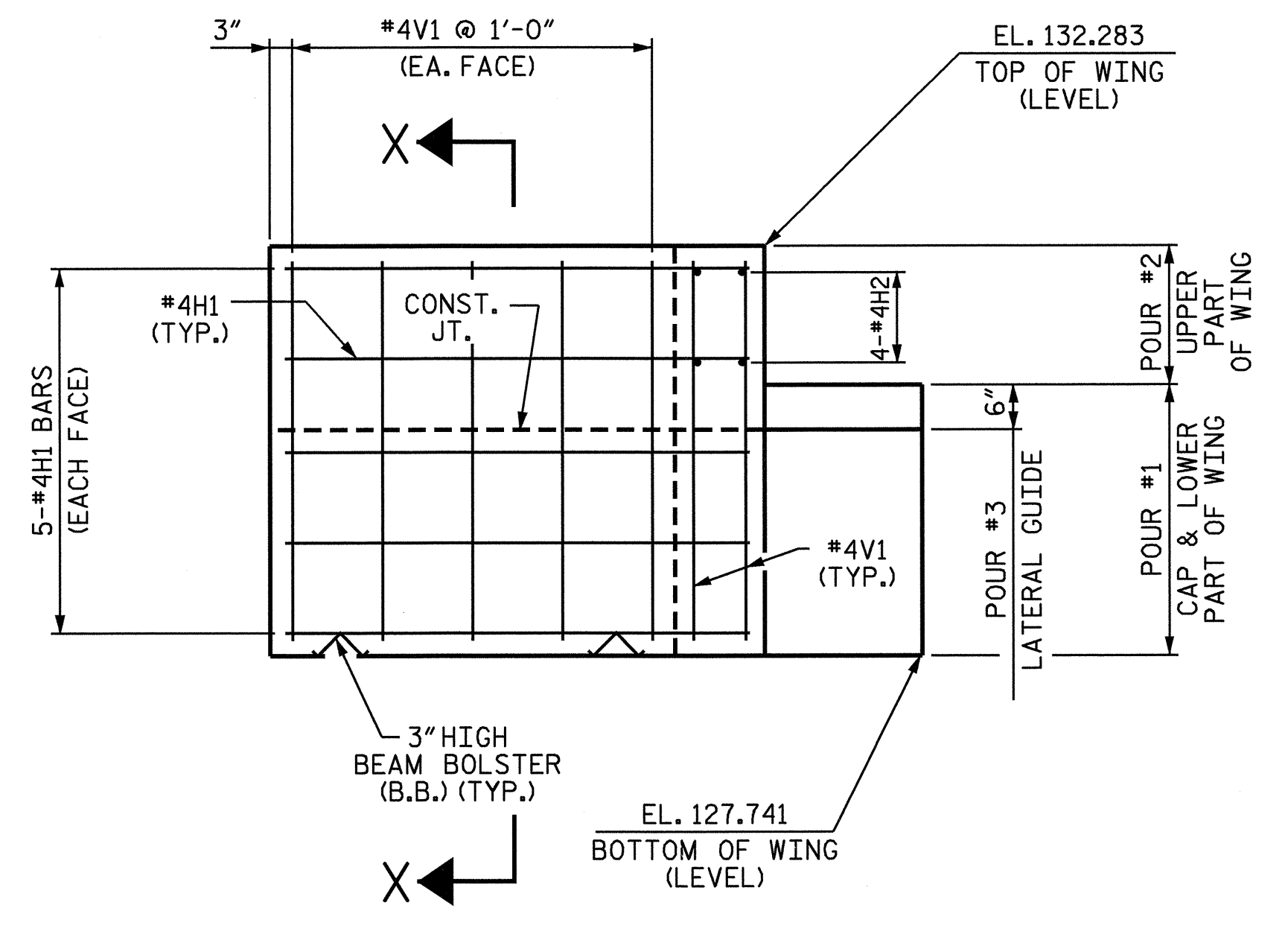
W1 PLAN OF LEFT WING



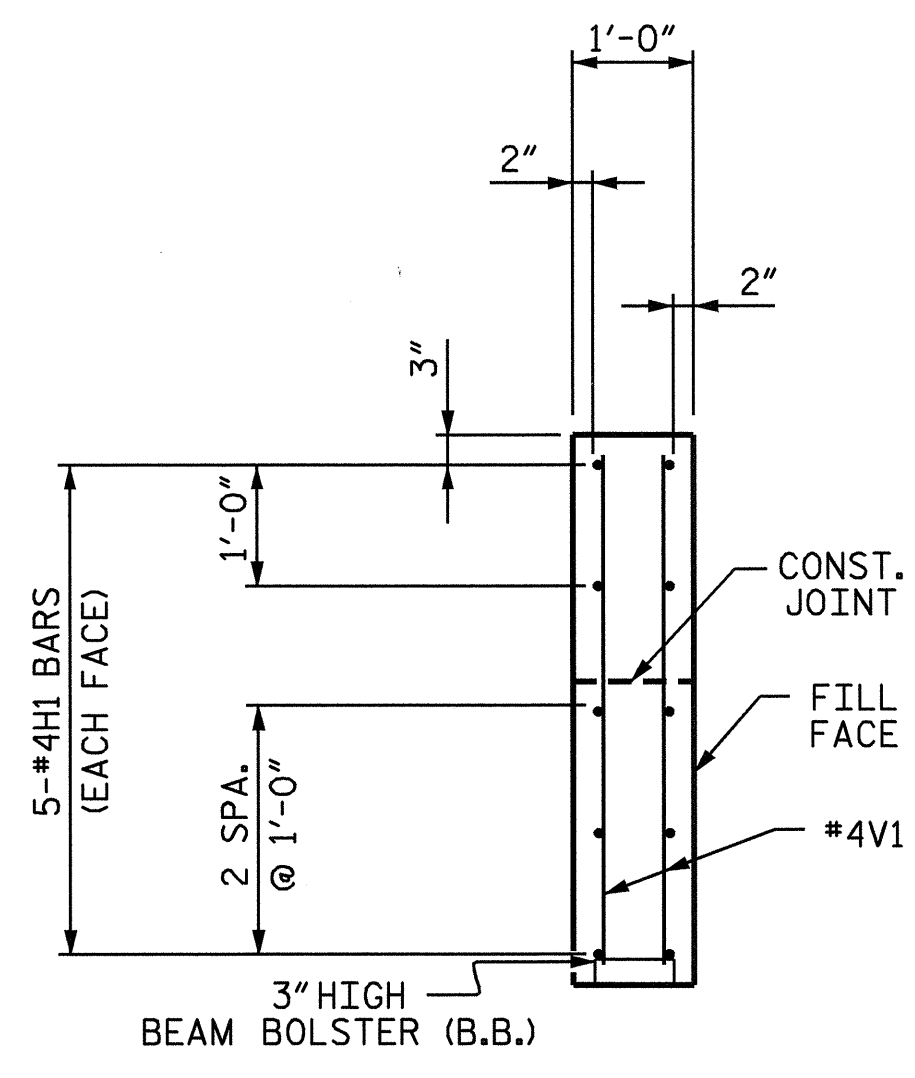
SECTION Y-Y



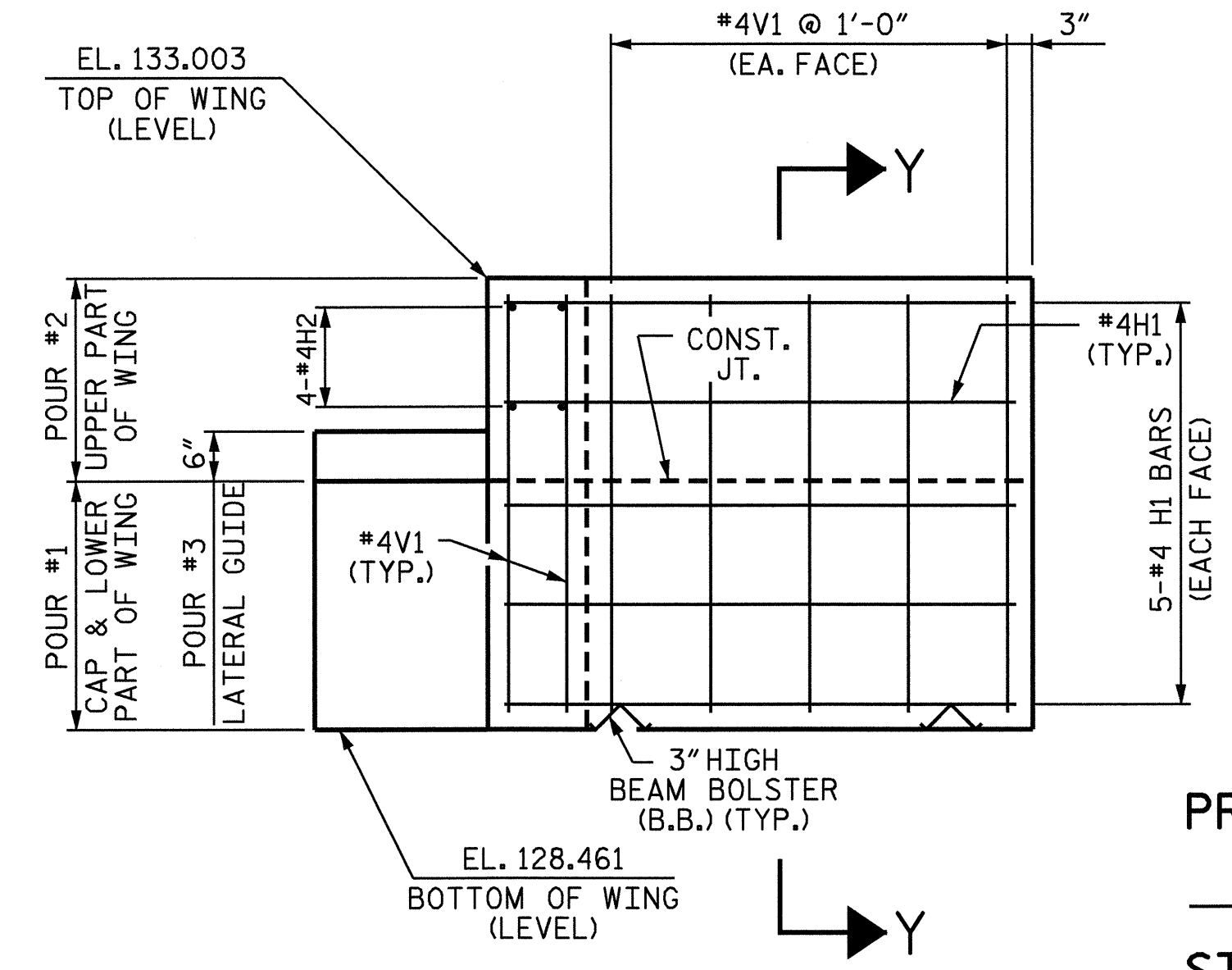
W2 PLAN OF RIGHT WING



ELEVATION OF LEFT WING W1



SECTION X-X



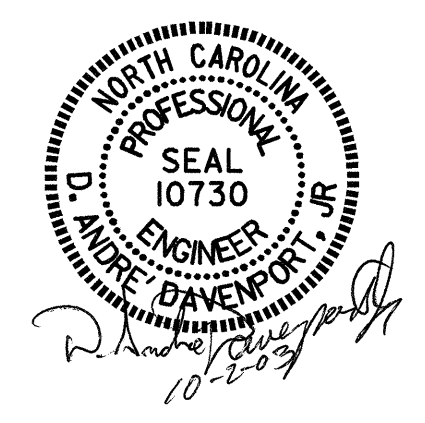
ELEVATION OF RIGHT WING W2

PROJECT NO. B-3670
JOHNSTON COUNTY
 STATION: 15+41.00 -L-

SHEET 2 OF 3

STATE OF NORTH CAROLINA
 DEPARTMENT OF TRANSPORTATION
 RALEIGH

**SUBSTRUCTURE
 END BENT #2**



DRAWN BY: D.G. ELY/DAD DATE: 6-03
 CHECKED BY: H.T. BARBOUR DATE: 8-03

REVISIONS						SHEET NO.
NO.	BY:	DATE:	NO.	BY:	DATE:	S-12
1			3			TOTAL SHEETS
2			4			17