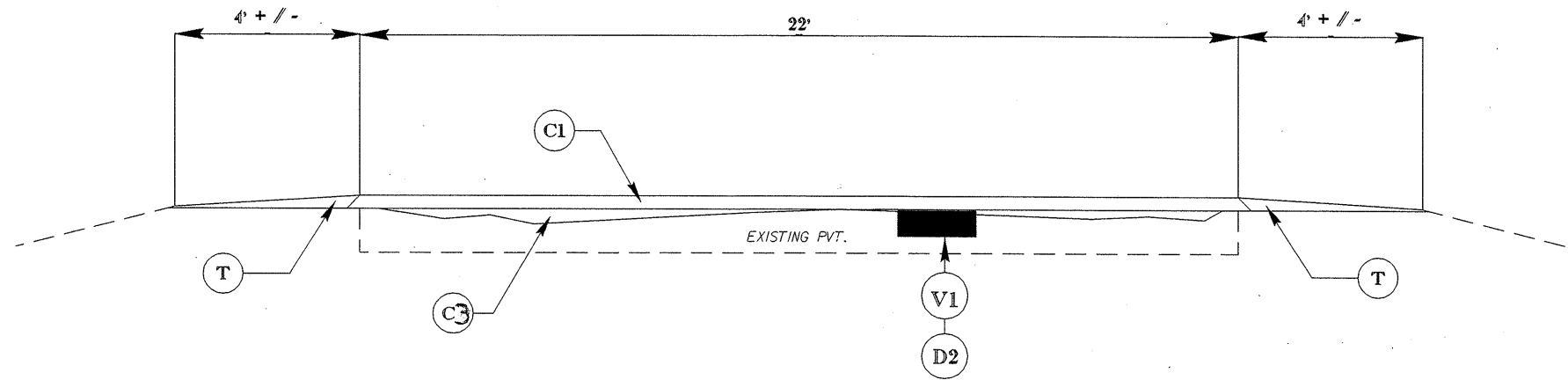
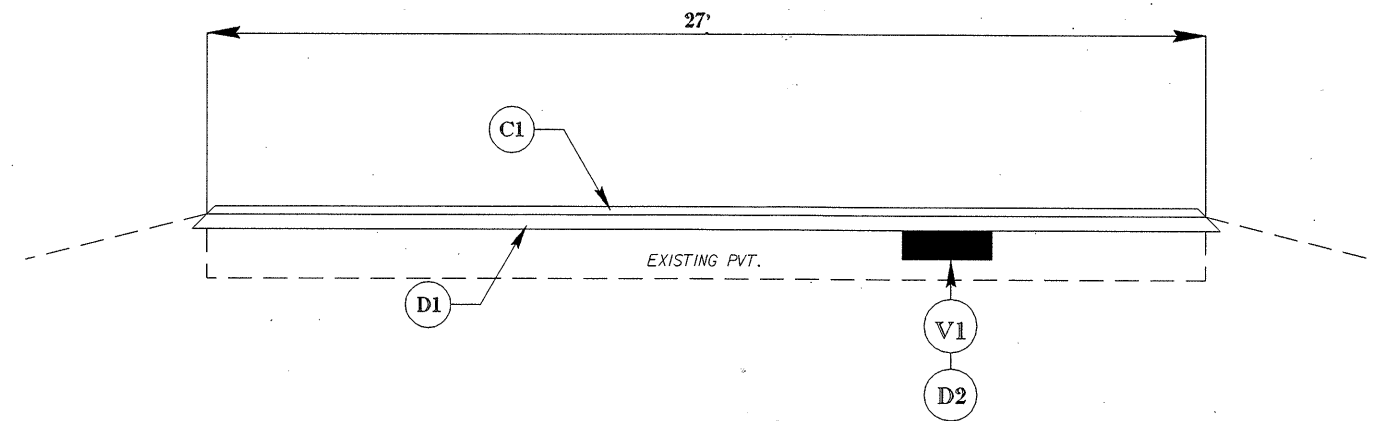


PROJECT REFERENCE NO.		SHEET NO.
14CR.10441.1		7 OF 9
STATE: PROJECT	F.A. PROJECT NO.	DESCRIPTION
14C110441.1		
14CF.20441.2		
14CR.304404.2		
14CR.304422.2		

TYPICAL 4



TYPICAL 5



TYPICAL 6

