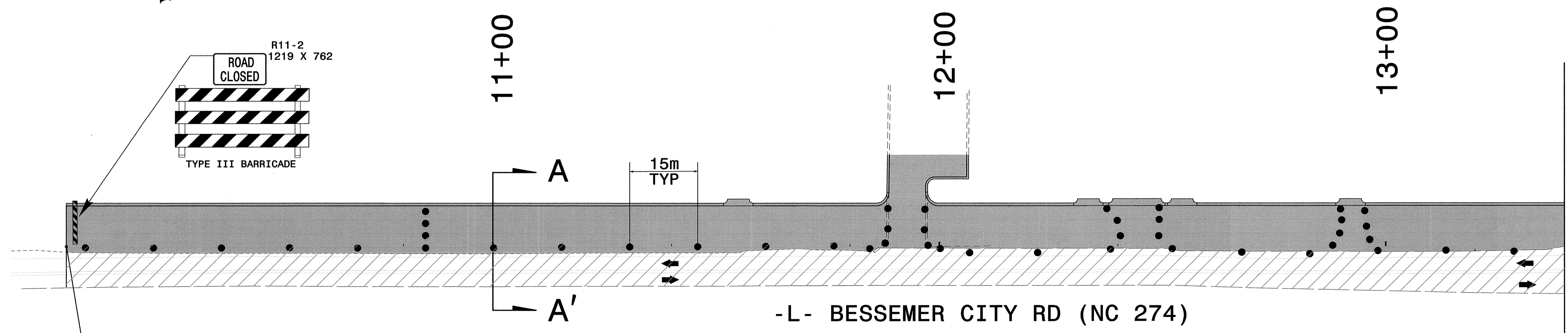
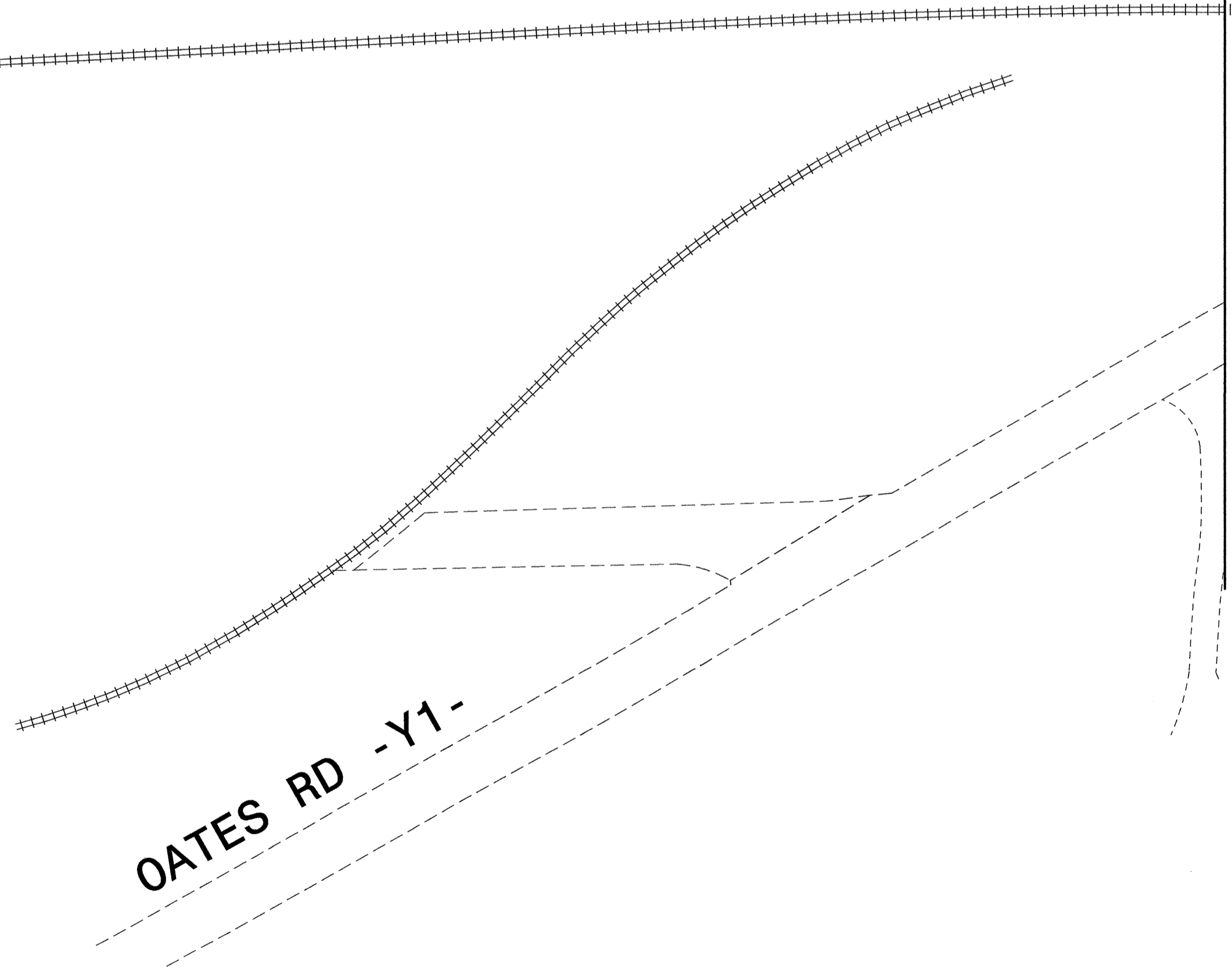
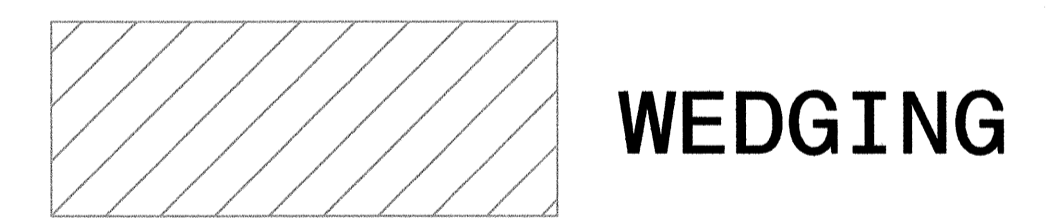




PROJ. REFERENCE NO.	SHEET NO.
U-2408	TCP-5

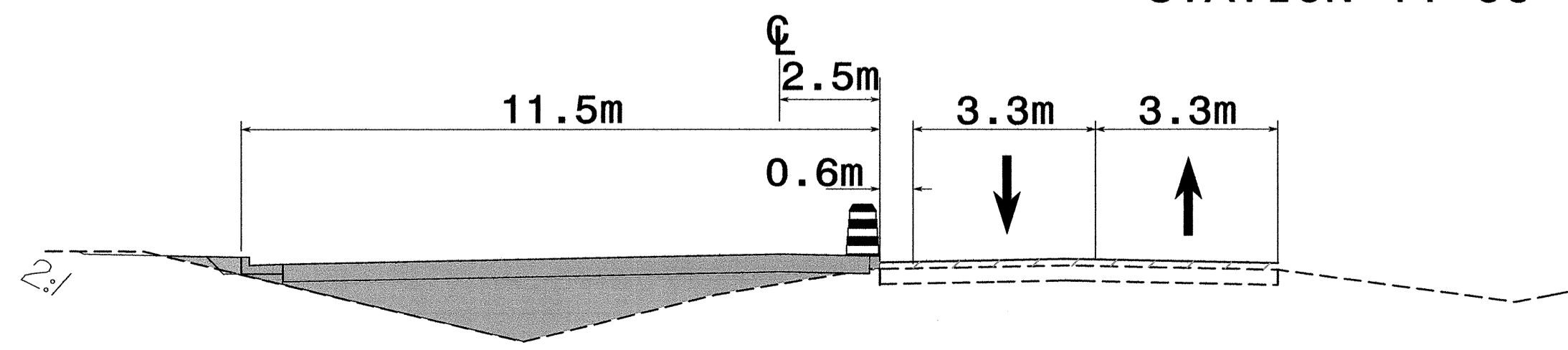


-L- STA 10+04+/- BEGIN STATE PROJECT U-2408  
TIE TO FUTURE PROJECT U-3405



MATCHLINE -L- STA 13+40+/- SEE TCP-6

**SECTION A-A'**  
STATION 11+00



\$\$\$\$\$ SYSTEM \$\$\$\$\$\$  
\$\$\$\$\$ USER \$\$\$\$\$\$  
\$\$\$\$\$ DATE \$\$\$\$\$\$  
\$\$\$\$\$ TIME \$\$\$\$\$\$

**SEPI ENGINEERING GROUP**  
2300 Rexwoods Drive  
Suite 370  
Raleigh, NC 27607  
Tel: 919-789-9977 Fax: 919-789-9591

APPROVED: \_\_\_\_\_ DATE: \_\_\_\_\_

SEAL

<b>PHASE I</b>									
SCALE: NONE									
DATE: 7-04									
DWG. BY: CEK									
DESIGN BY: RCD									
REVIEWED BY: RLW	<table border="1"> <tr> <th colspan="2">REVISIONS</th> </tr> <tr> <td> </td> <td> </td> </tr> <tr> <td> </td> <td> </td> </tr> <tr> <td> </td> <td> </td> </tr> </table>	REVISIONS							
REVISIONS									