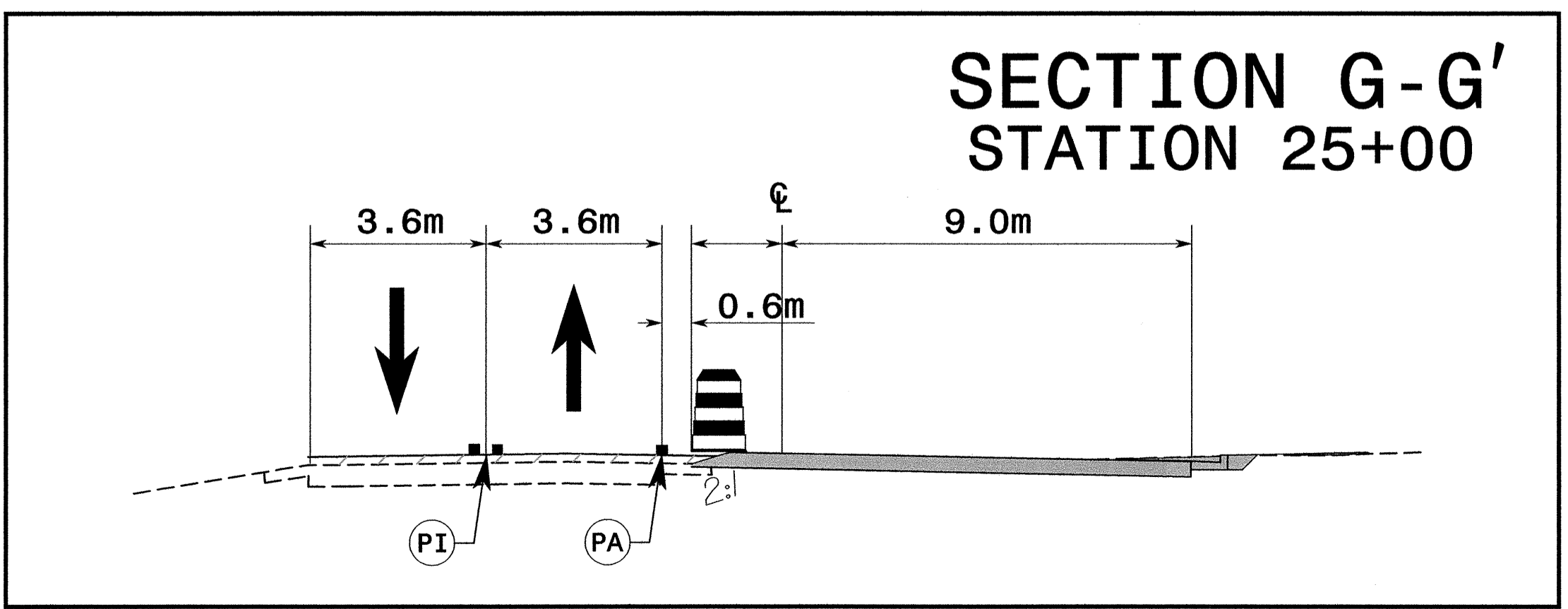
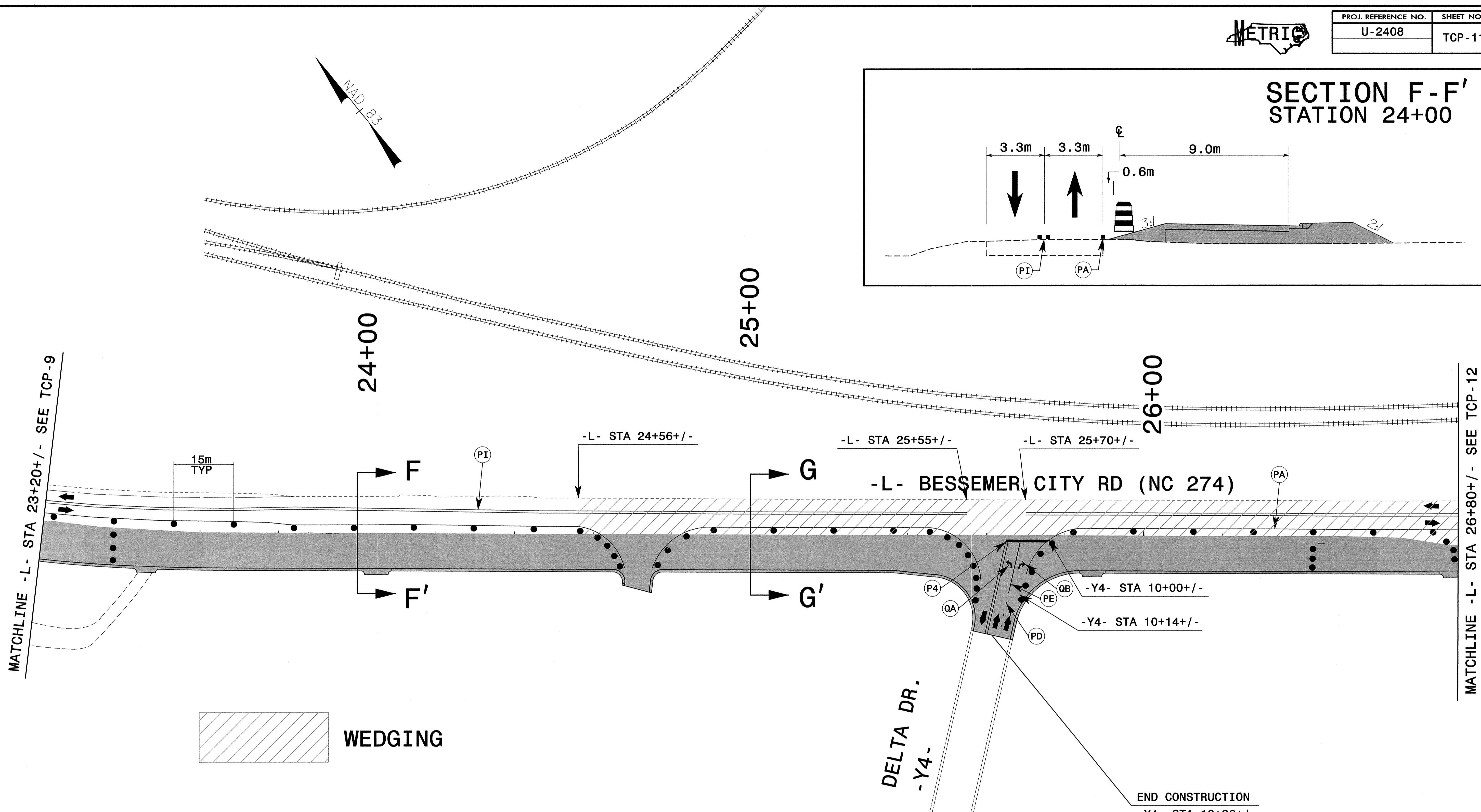
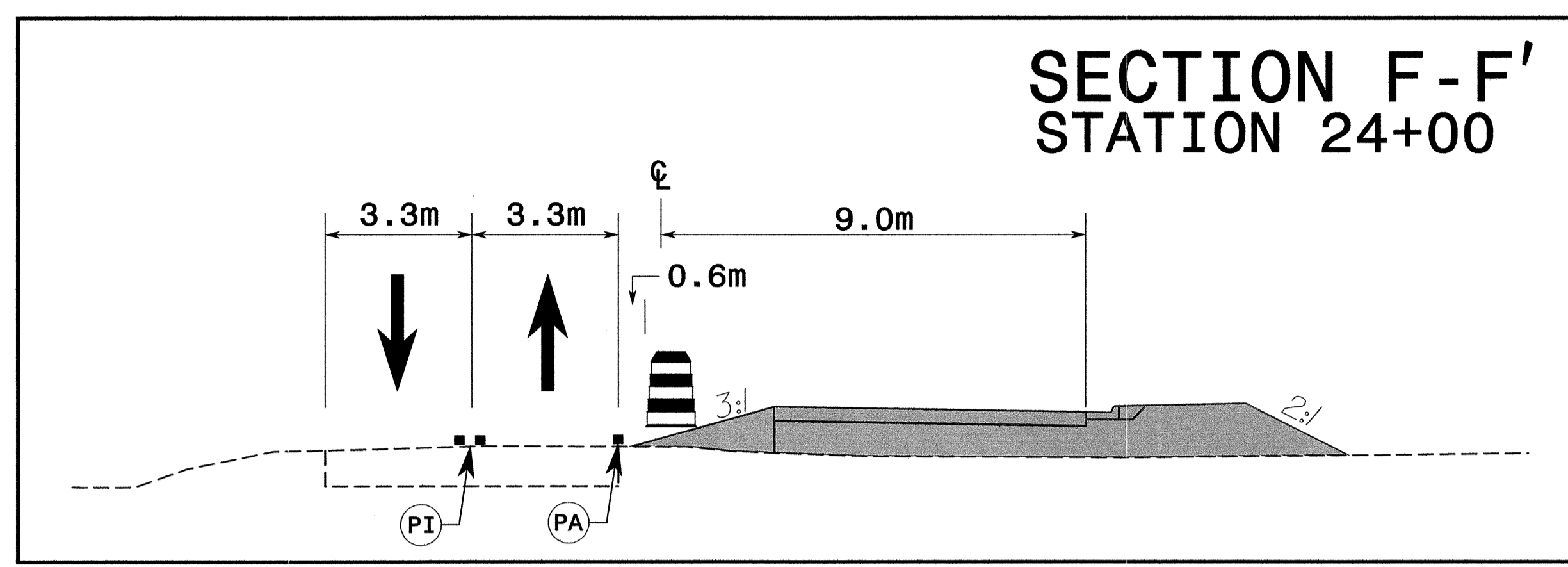
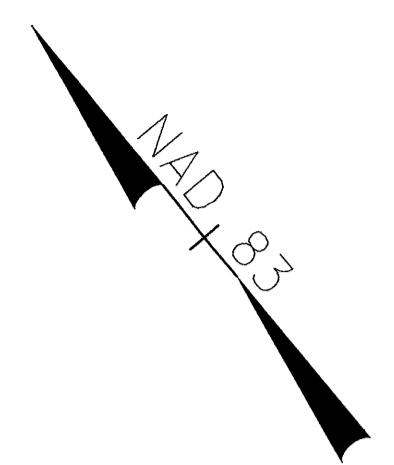




PROJ. REFERENCE NO.	SHEET NO.
U-2408	TCP-11



\$\$\$\$\$ SYSTEM TIME\$\$\$\$\$  
 \$\$\$ JUSERNAME\$\$\$\$\$

**SEPI ENGINEERING GROUP**  
 2300 Roxwoods Drive  
 Suite 370  
 Raleigh, NC 27607  
 Tel: 919-789-9977 Fax: 919-789-9591

APPROVED: \_\_\_\_\_ DATE: \_\_\_\_\_  
 SEAL  
 NORTH CAROLINA  
 ENGINEER  
 20104  
 SEPTECH S. ASEFIN  
 7-14-04

<b>PHASE I</b>	
SCALE: NONE	REVISIONS
DATE: 7-04	
DESIGN BY: RCD	
REVIEWED BY: RLW	
	CADD FILE