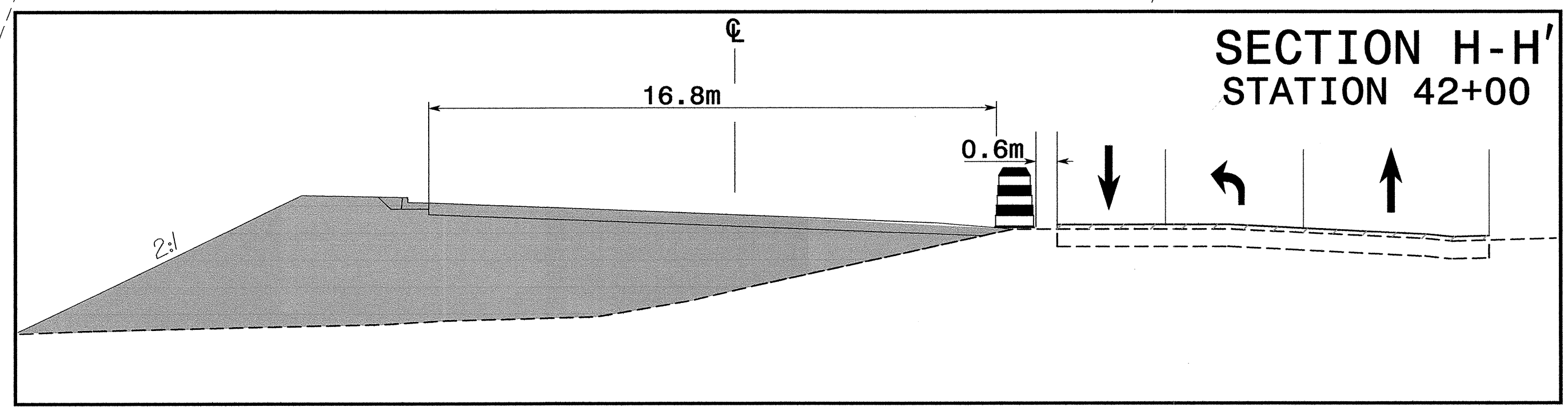
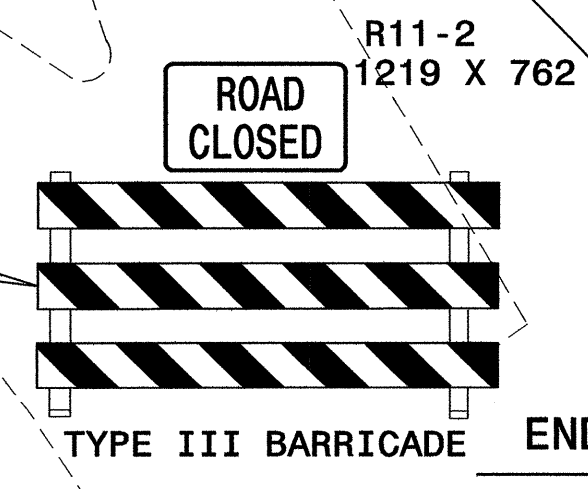
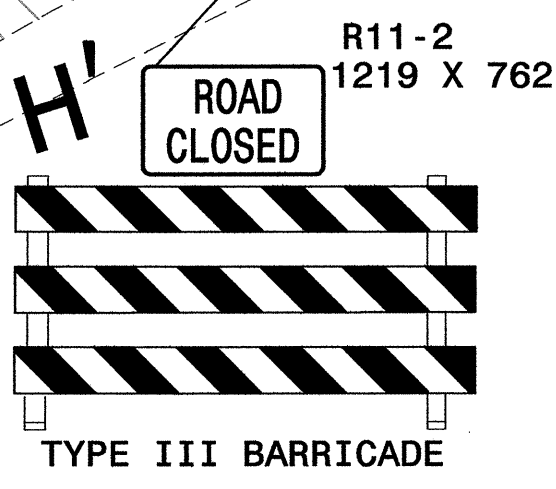
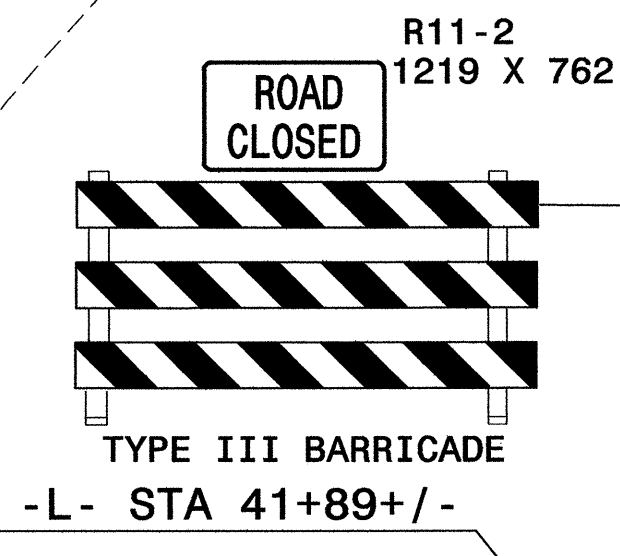
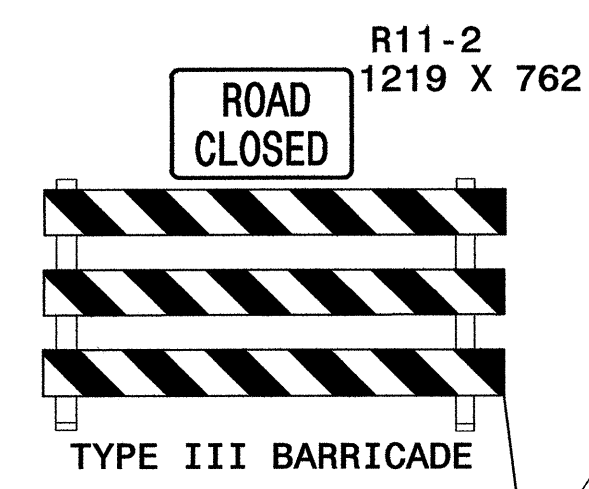


BEGIN CONSTRUCTION  
-Y15A- STA 10+10+/-

BEGIN CONSTRUCTION  
-Y15- STA 9+90+/-



MATCHLINE -L- STA 40+80+/- SEE TCP-15

MATCHLINE -L- STA 44+40+/- SEE TCP-17

END CONSTRUCTION  
-Y14- STA 10+41+/-

END CONSTRUCTION  
-Y15- STA 11+62+/-

END CONSTRUCTION  
-Y16- STA 10+53+/-

WEDGING

SUNSET AVE.  
-Y16-

-L- BESSEMER CITY RD  
(NC 274)

JENKINS RD.  
-Y15A-

BROWN ST.  
-Y15-

MILTON ST.  
-Y15-

ROSS ST.  
-Y14-

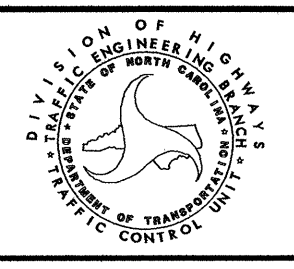
SYSTEM TIME DESIGNER CADD

SEPI ENGINEERING GROUP  
2300 Rexwoods Drive  
Suite 370  
Raleigh, NC 27607  
Tel: 919-789-9977 Fax: 919-789-9591

APPROVED: \_\_\_\_\_ DATE: \_\_\_\_\_  
SEAL  
7-14-04

PHASE I

SCALE: NONE  
DATE: 7-04  
DWG. BY: CEK  
DESIGN BY: RCD  
REVIEWED BY: RLW



REVISIONS