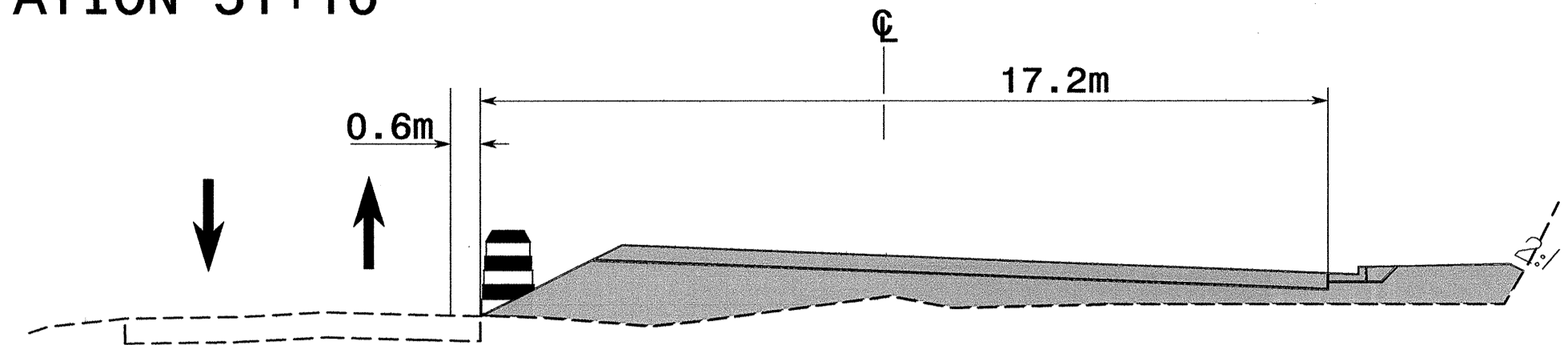
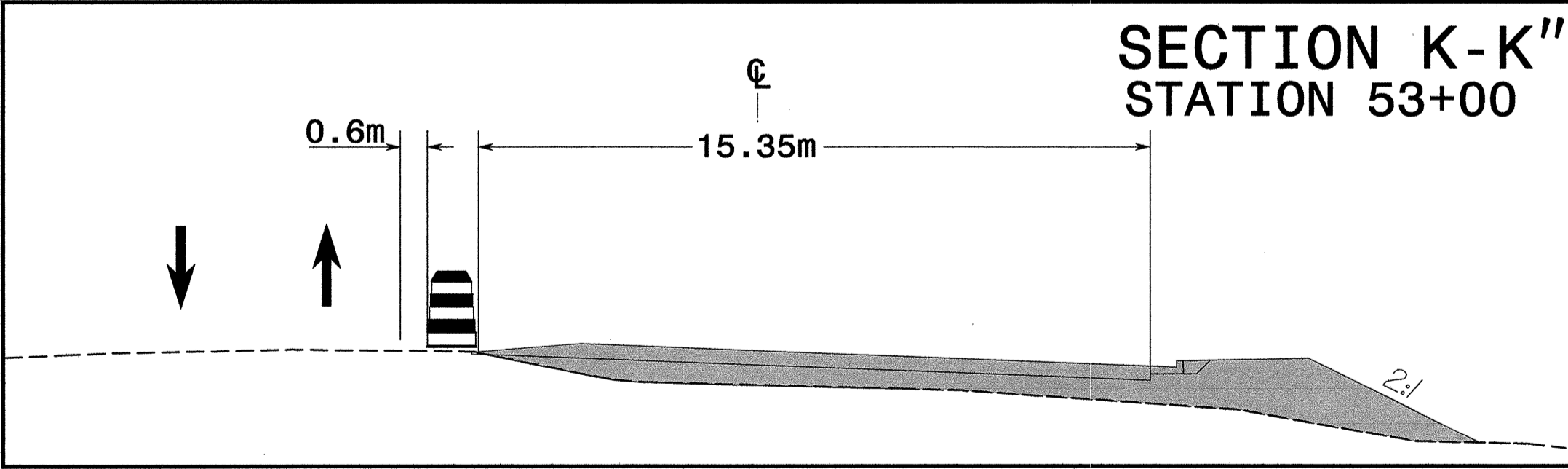
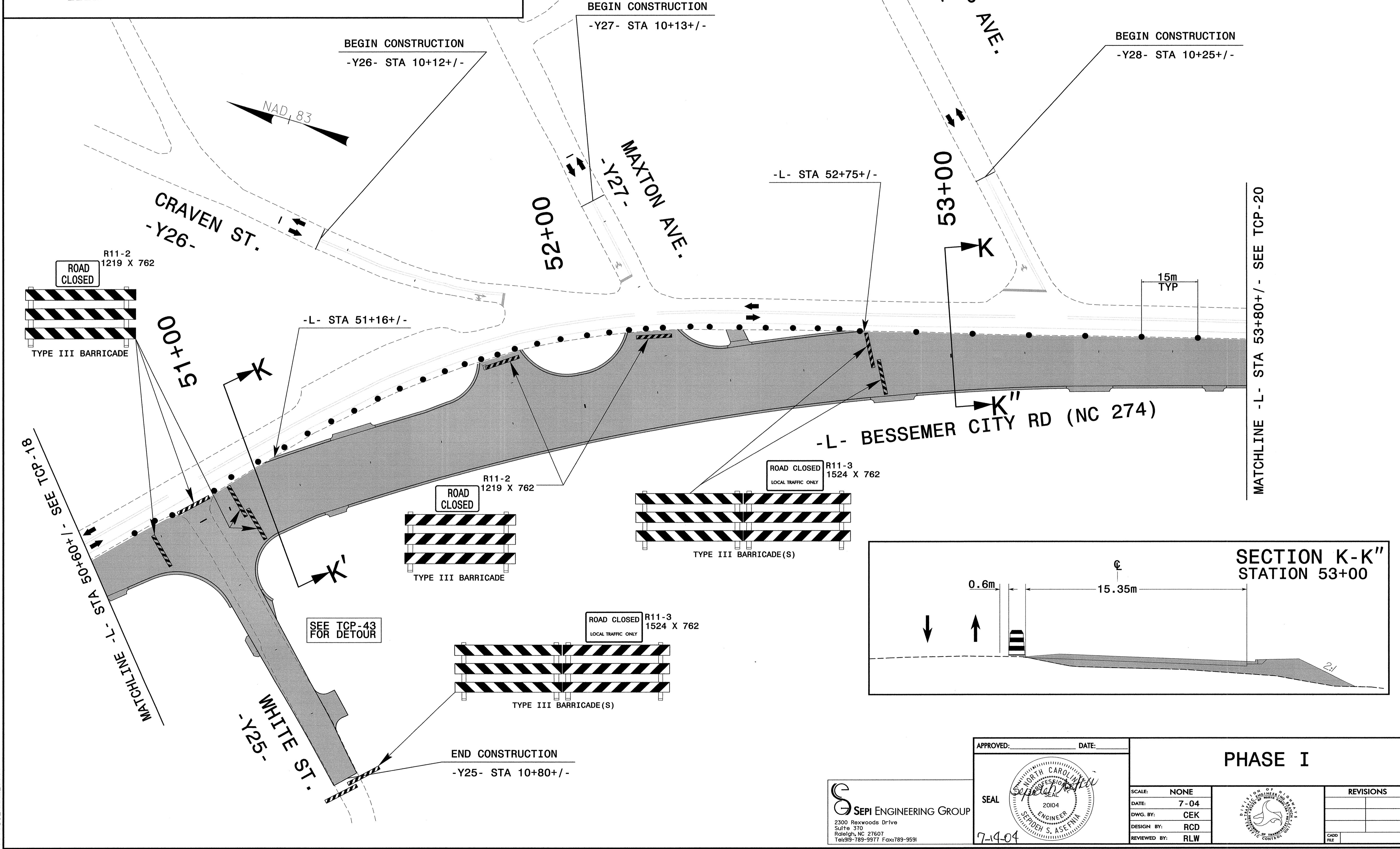


SECTION K-K'
STATION 51+10



| | |
|---------------------|-----------|
| PROJ. REFERENCE NO. | SHEET NO. |
| U-2408 | TCP-19 |



\$\$\$\$\$SYTIME\$\$\$\$\$
\$\$\$\$\$USER\$\$\$\$\$

SEPI ENGINEERING GROUP
2300 Rexwoods Drive
Suite 370
Raleigh, NC 27607
Tel: 919-789-9977 Fax: 789-9591

APPROVED: _____ DATE: _____
SEAL
NORTH CAROLINA
PROFESSIONAL
ENGINEER
20104
JEREMY S. ASEFINA

| | |
|------------------|-----------|
| PHASE I | |
| SCALE: NONE | REVISIONS |
| DATE: 7-04 | |
| DWG. BY: CEK | |
| DESIGN BY: RCD | |
| REVIEWED BY: RLW | |
| | CADD FILE |