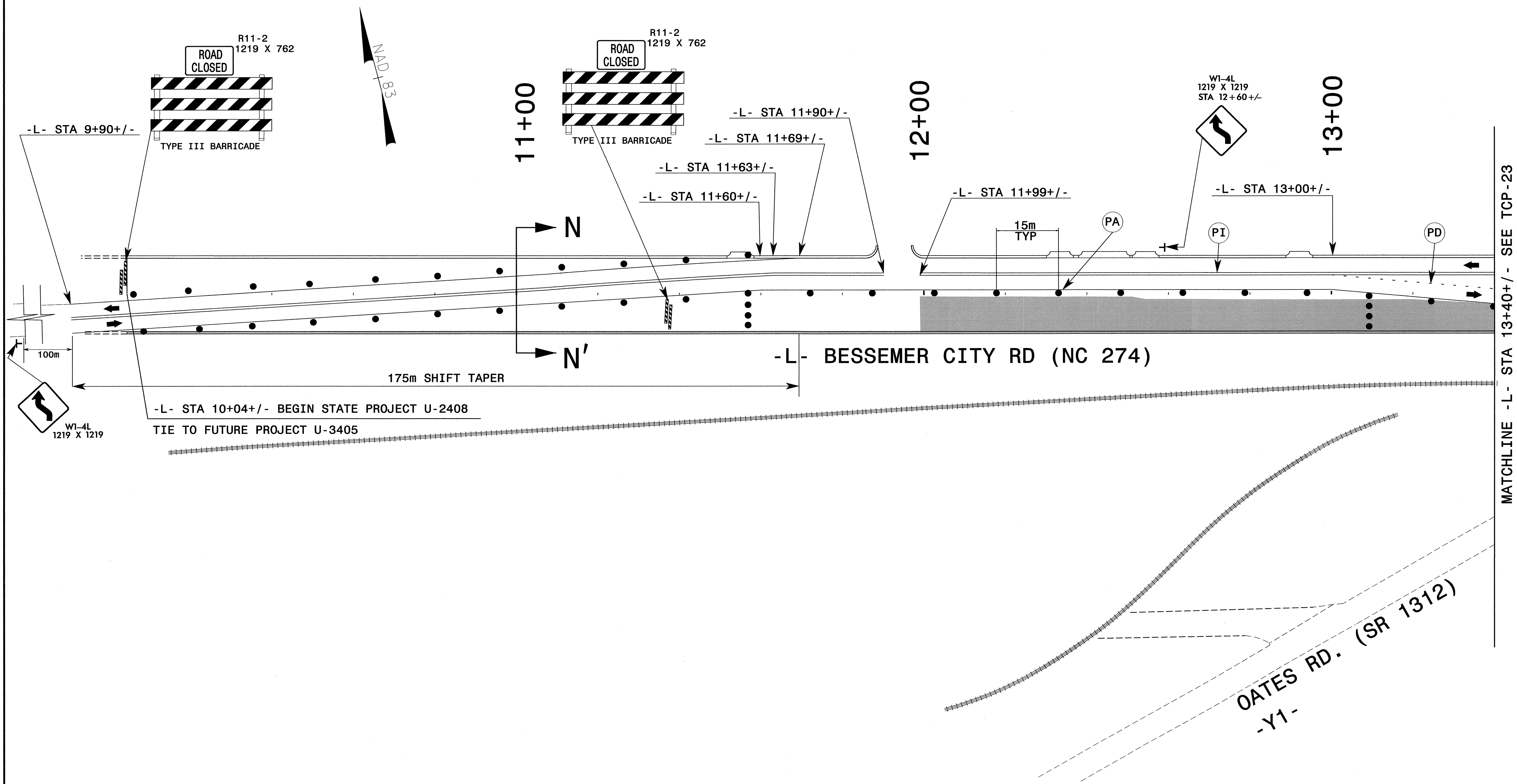
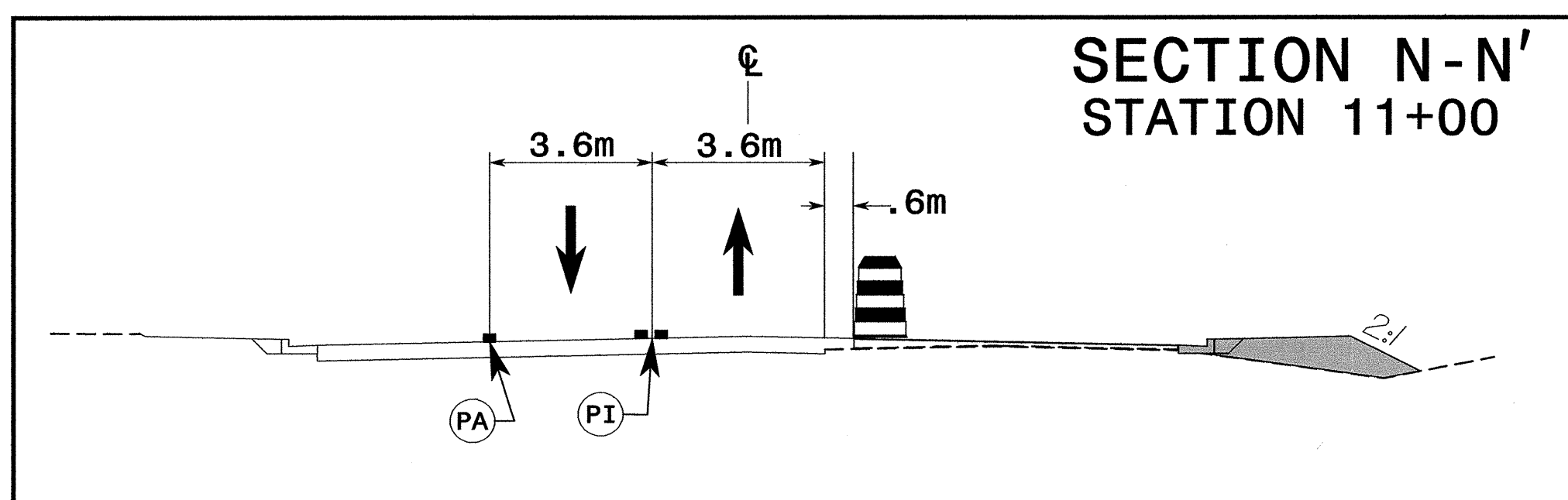




| | |
|---------------------|-----------|
| PROJ. REFERENCE NO. | SHEET NO. |
| U-2408 | TCP-22 |



MATCHLINE -L- STA 13+40+/- - SEE TCP-23



SEPI ENGINEERING GROUP
 2300 Rexwoods Drive
 Suite 370
 Raleigh, NC 27607
 Tel: 919-789-9977 Fax: 919-789-9591

APPROVED: _____ DATE: _____

SEAL

7-14-04

| | |
|------------------|-----------|
| PHASE II | |
| SCALE: NONE | REVISIONS |
| DATE: 7-04 | |
| DWG. BY: CEK | |
| DESIGN BY: RCD | |
| REVIEWED BY: RLW | |
| | CADD FILE |

SYSTEM: \$\$\$\$\$\$
 DDON: \$\$\$\$\$\$
 USERNAME: \$\$\$\$\$\$