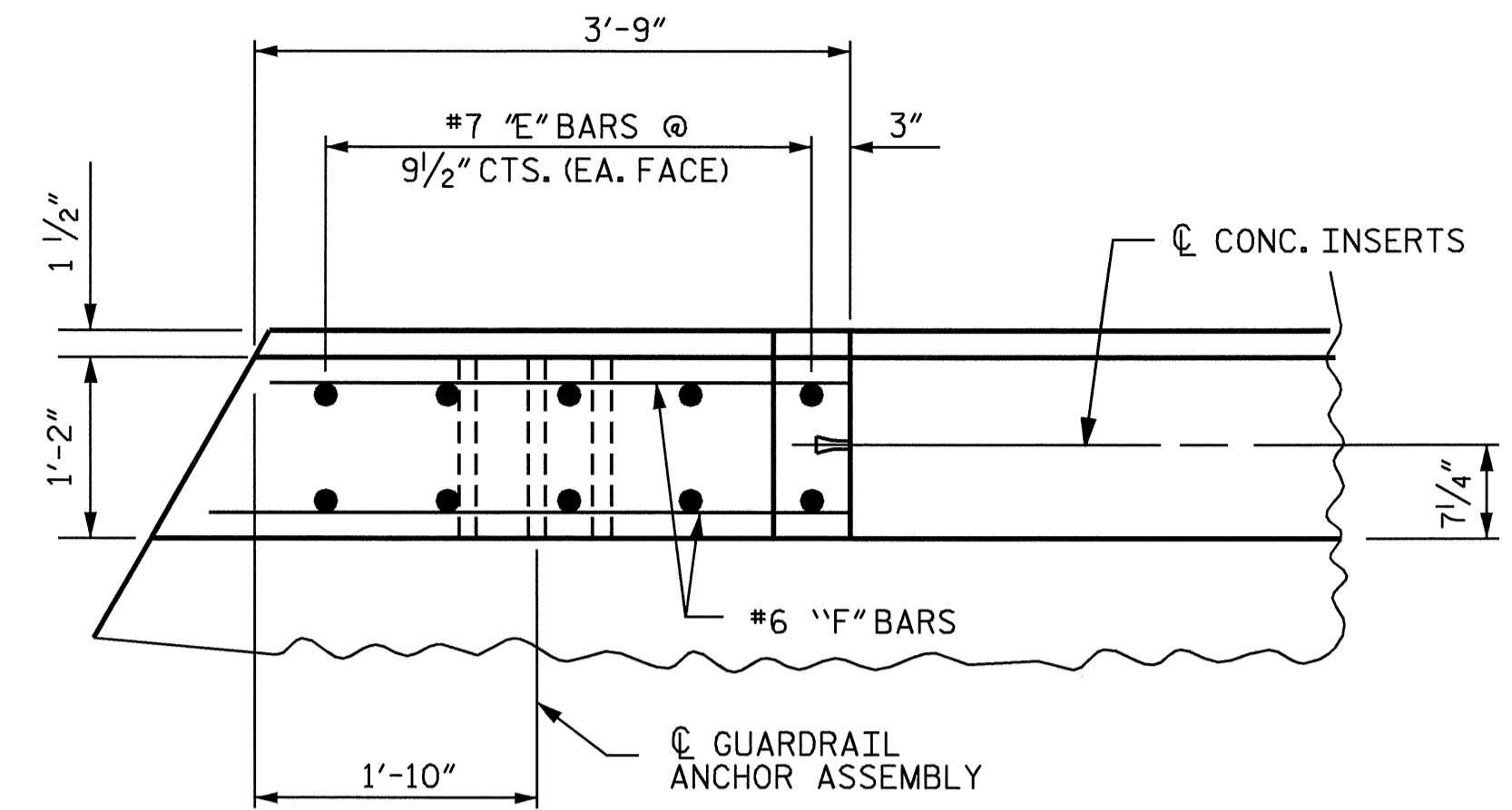
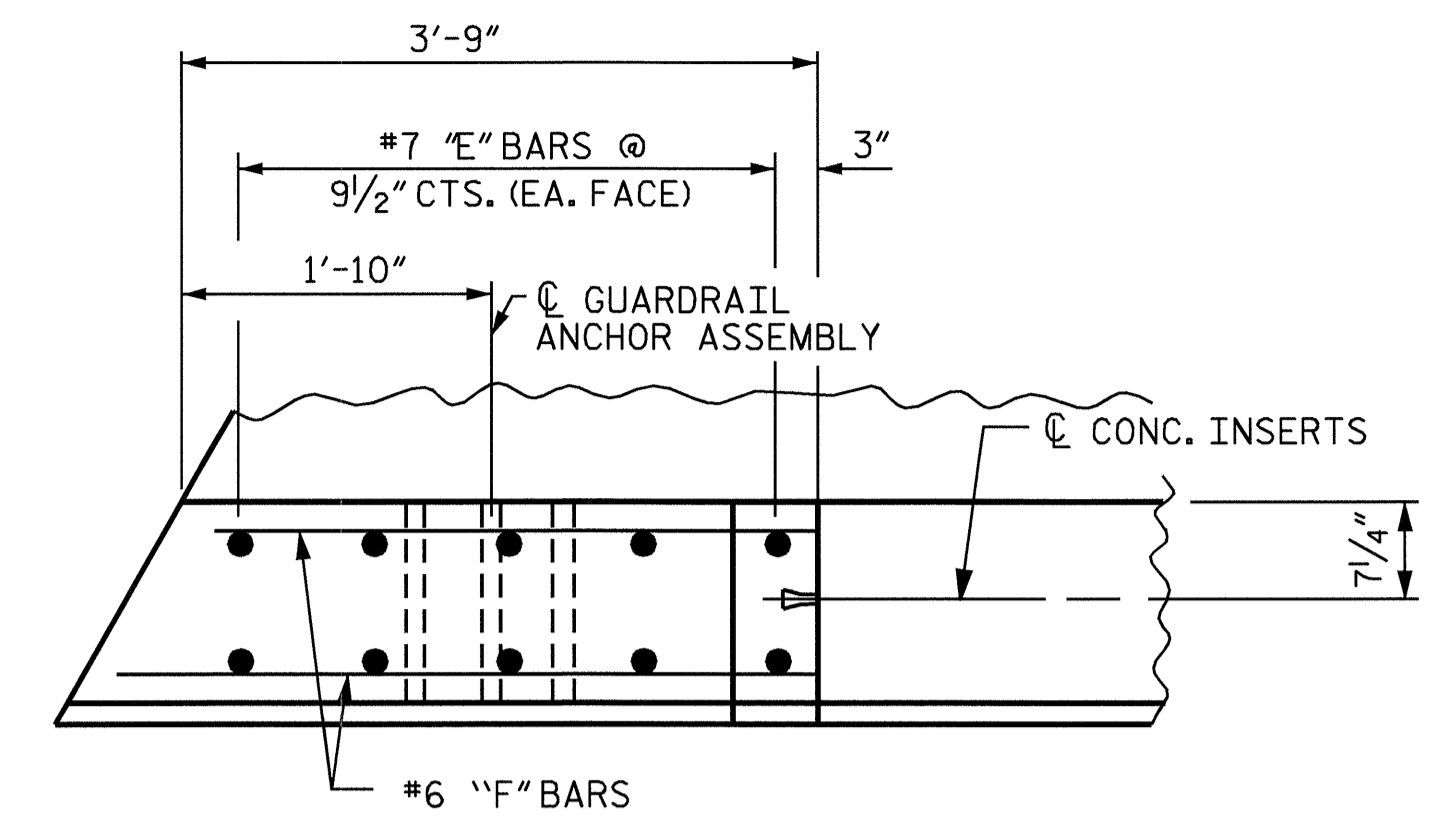


PLAN OF PARAPET
* SEE "PLAN OF SPANS" FOR DIMENSION.



LEFT SIDE



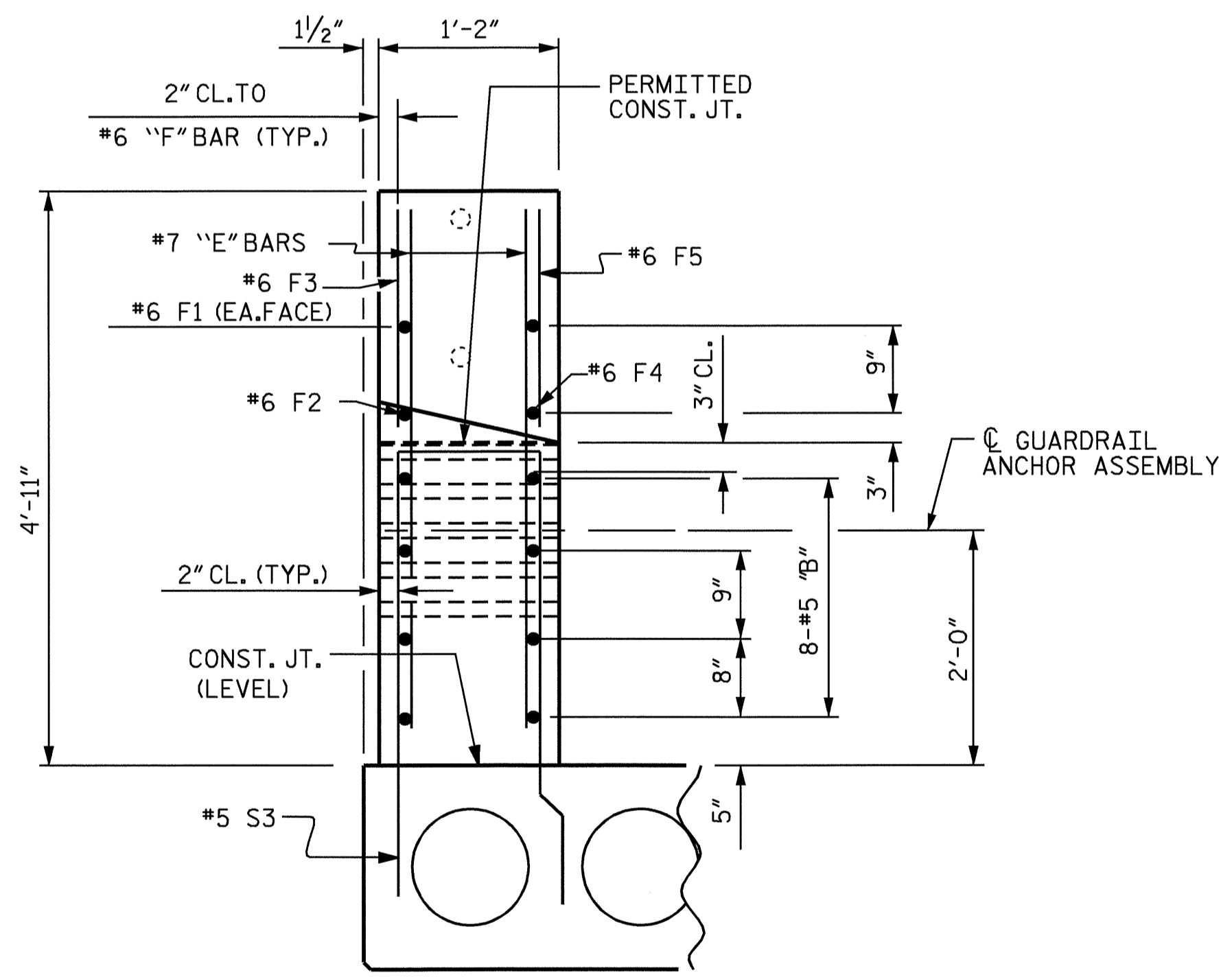
RIGHT SIDE

PLAN OF END POST

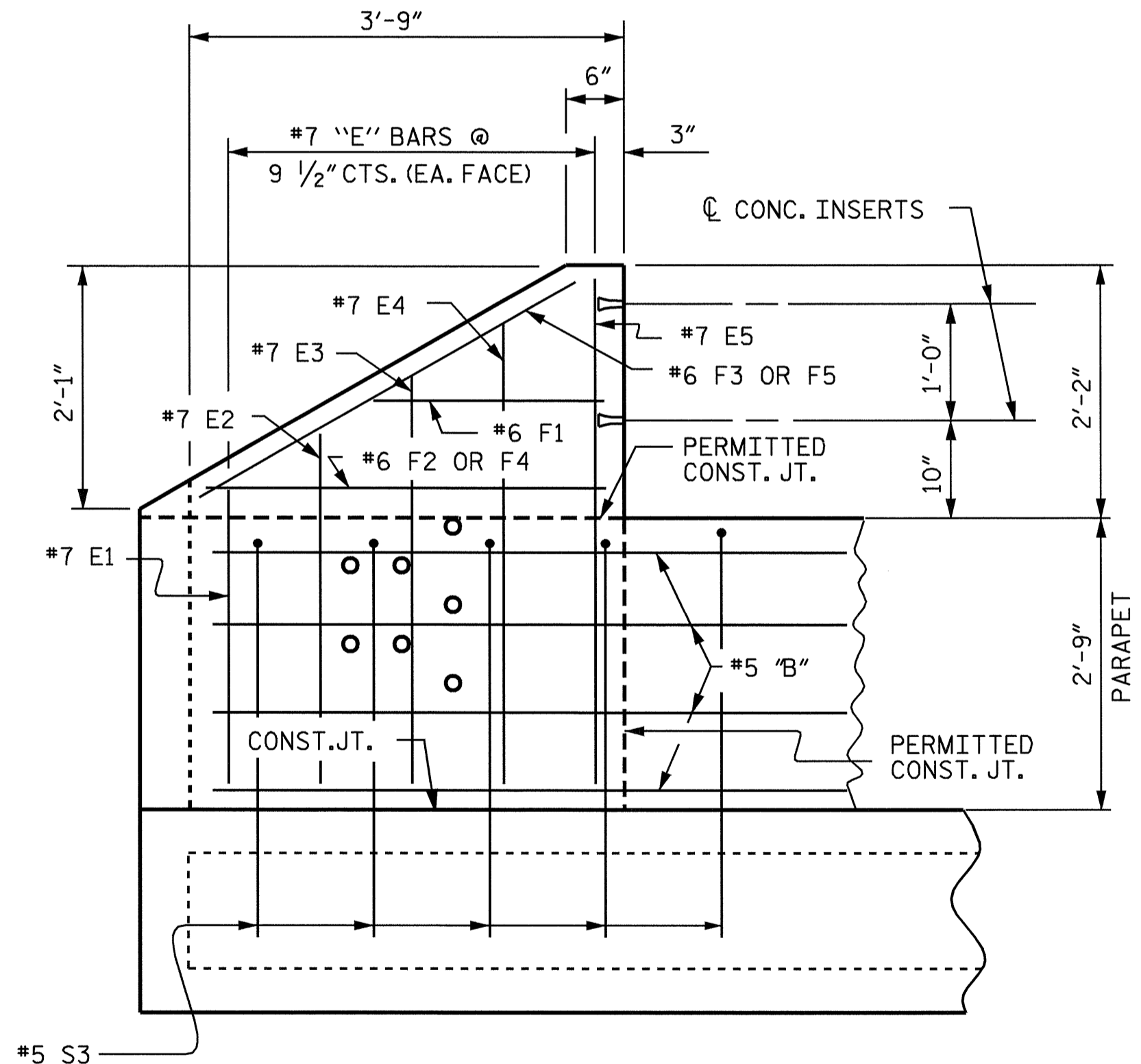
BILL OF MATERIAL						
PARAPETS AND END POSTS						
BAR	NO.	SIZE	TYPE	LENGTH	WEIGHT	
*B1	32	#5	STR	28'-2"	940	
*B2	32	#5	STR	26'-6"	884	
*E1	8	#7	STR	2'-9"	45	
*E2	8	#7	STR	3'-3"	53	
*E3	8	#7	STR	3'-9"	61	
*E4	8	#7	STR	4'-3"	69	
*E5	8	#7	STR	4'-7"	75	
*F1	8	#6	STR	2'-1"	25	
*F2	4	#6	STR	3'-6"	21	
*F3	4	#6	STR	3'-8"	22	
*F4	4	#6	STR	3'-6"	21	
*F5	4	#6	STR	4'-2"	25	
* EPOXY COATED REINF. STEEL = 2241 LBS						
CLASS AA CONCRETE					26.3 C.Y.	
CONCRETE PARAPET					214.80 L.F.	

* THESE BARS ARE EPOXY COATED

SPLICE CHART	
BAR	MIN. SPLICE
B2	3'-5"



END VIEW



ELEVATION

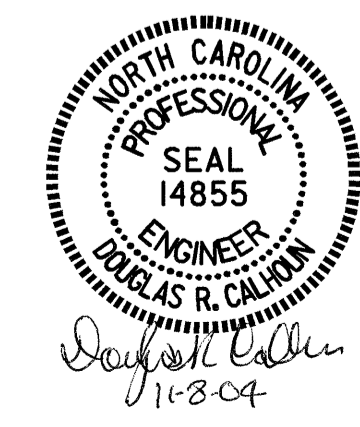
NOTES :

ALL REINFORCING STEEL IN THE PARAPETS AND END POST SHALL BE EPOXY COATED.
THE COST OF THE PARAPETS AND END POSTS SHALL BE INCLUDED IN THE LUMP SUM BID PRICE FOR CONSTRUCTION OF SUPERSTRUCTURE.

PARAPET AND END POST FOR TWO BAR RAIL

PROJECT NO. B-3451
DURHAM COUNTY
STATION: 14+99.30 -L-

SHEET 2 OF 6



STATE OF NORTH CAROLINA
DEPARTMENT OF TRANSPORTATION
RALEIGH
SUPERSTRUCTURE
CONCRETE PARAPET AND
PARAPET END POST
DETAILS
(FOR TWO BAR METAL RAIL)

REVISIONS						SHEET NO.	
NO.	BY:	DATE:	NO.	BY:	DATE:	S-9	
1			3			TOTAL SHEETS	
2			4			27	

DRAWN BY : A.L.MEADOWS DATE : 6/5/03
CHECKED BY : T.A.HARRIS DATE : 6/9/03