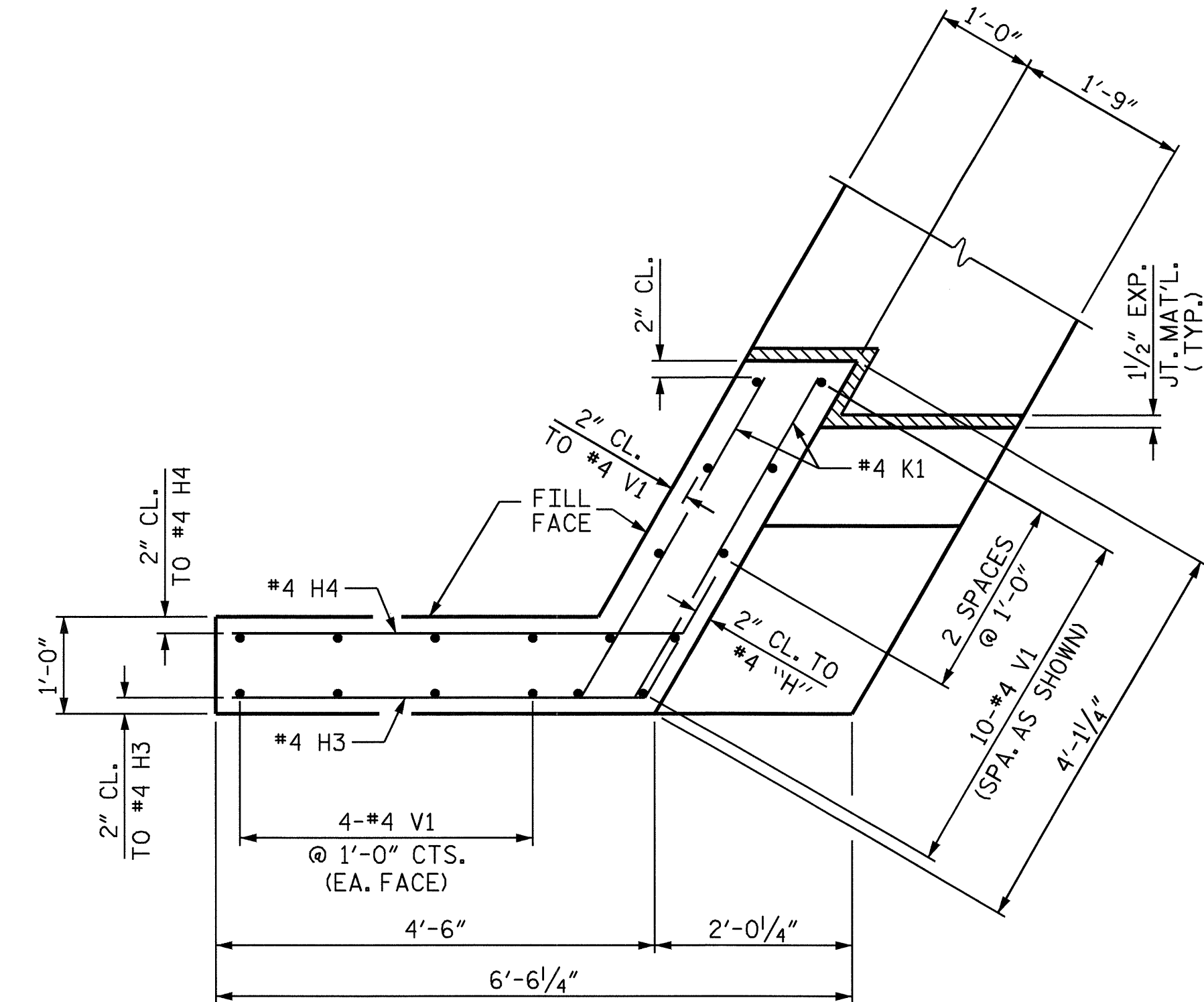
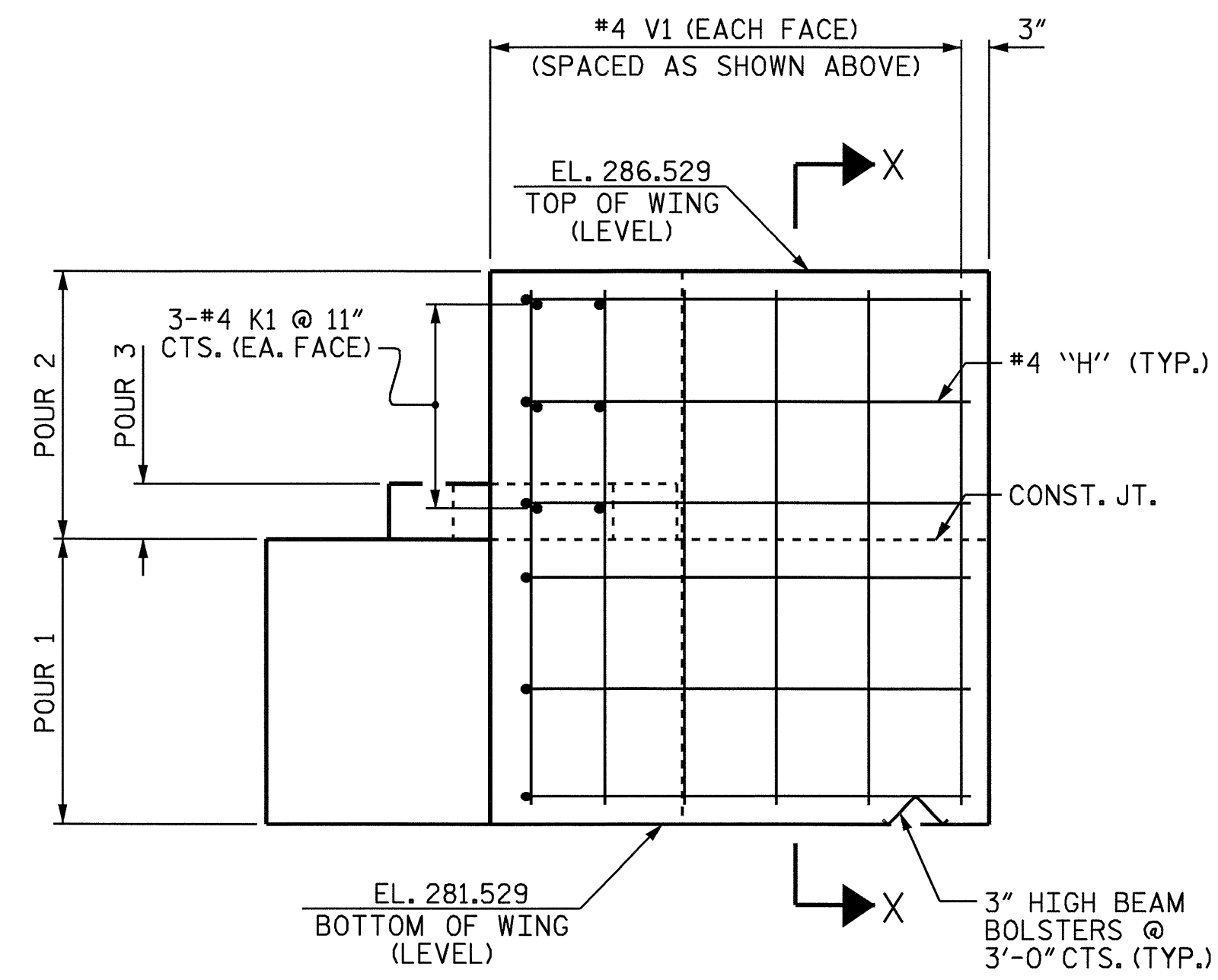


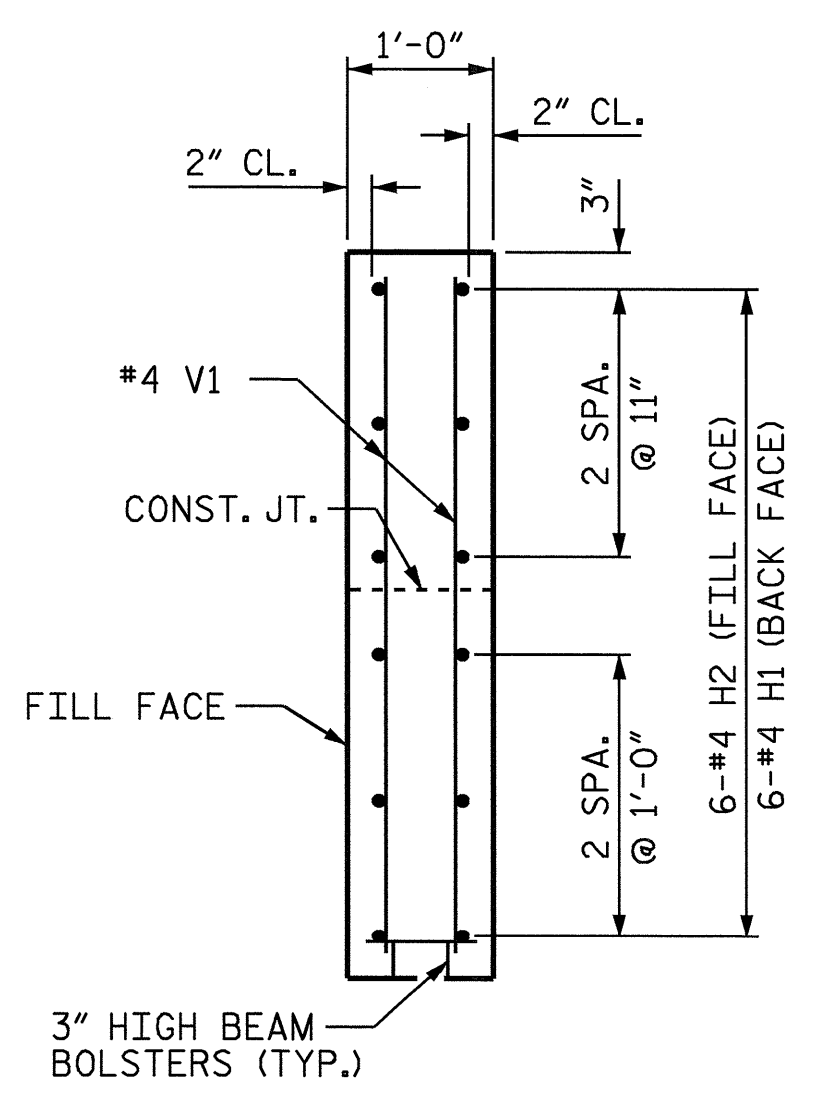
PLAN OF WING (W1)



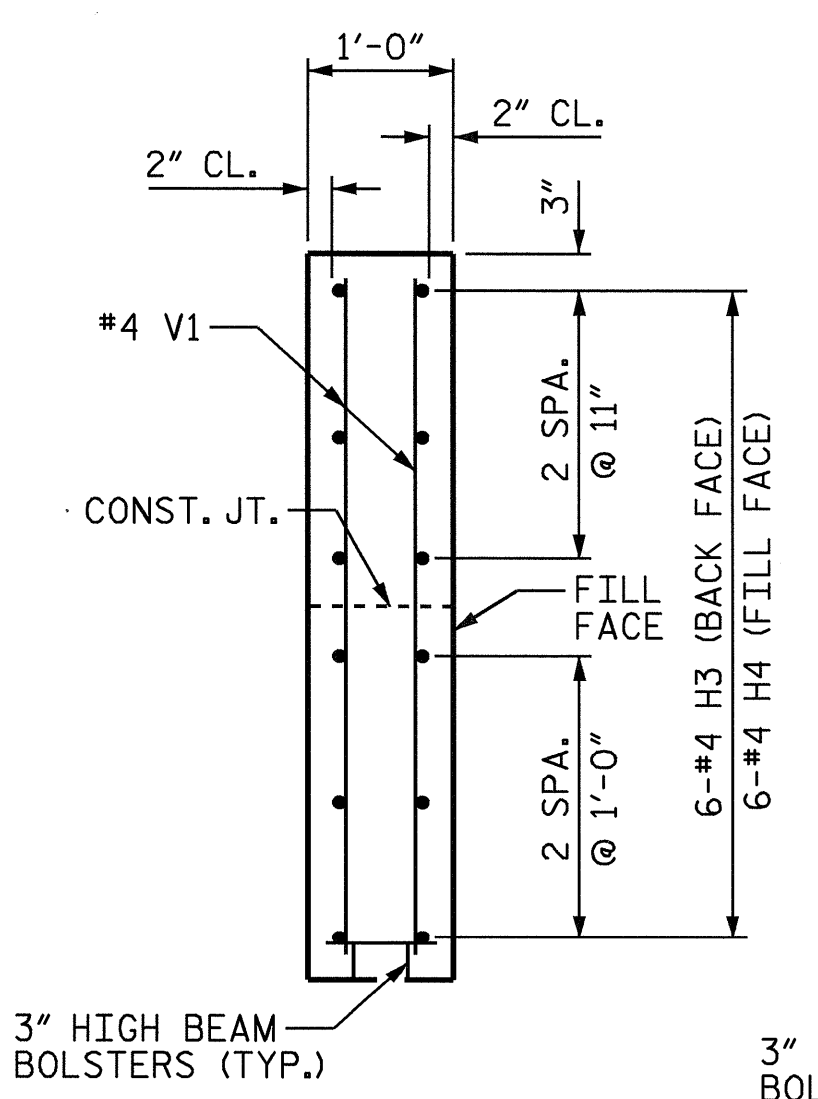
PLAN OF WING (W2)



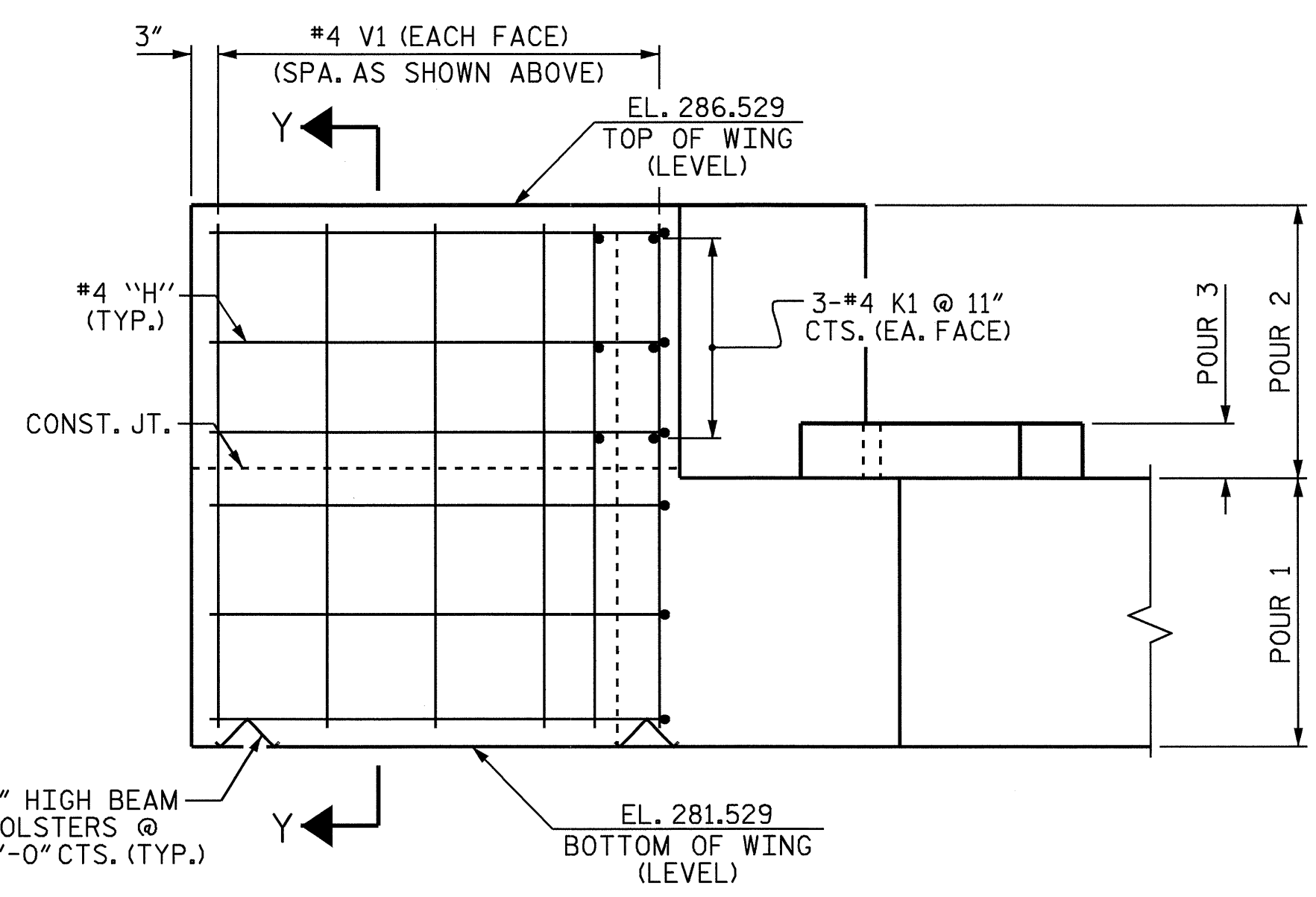
ELEVATION OF WING (W1)



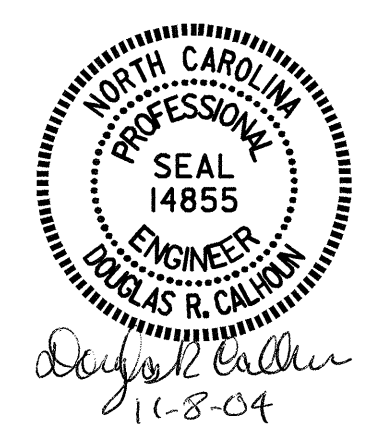
SECTION X-X



SECTION Y-Y



ELEVATION OF WING (W2)



PROJECT NO. B-3451  
DURHAM COUNTY  
STATION: 14+99.30 -L-  
SHEET 2 OF 3

STATE OF NORTH CAROLINA  
DEPARTMENT OF TRANSPORTATION  
RALEIGH

SUBSTRUCTURE  
END BENT 1

REVISIONS						SHEET NO.	
NO.	BY:	DATE:	NO.	BY:	DATE:	S-16	
1			3			TOTAL SHEETS	
2			4			27	