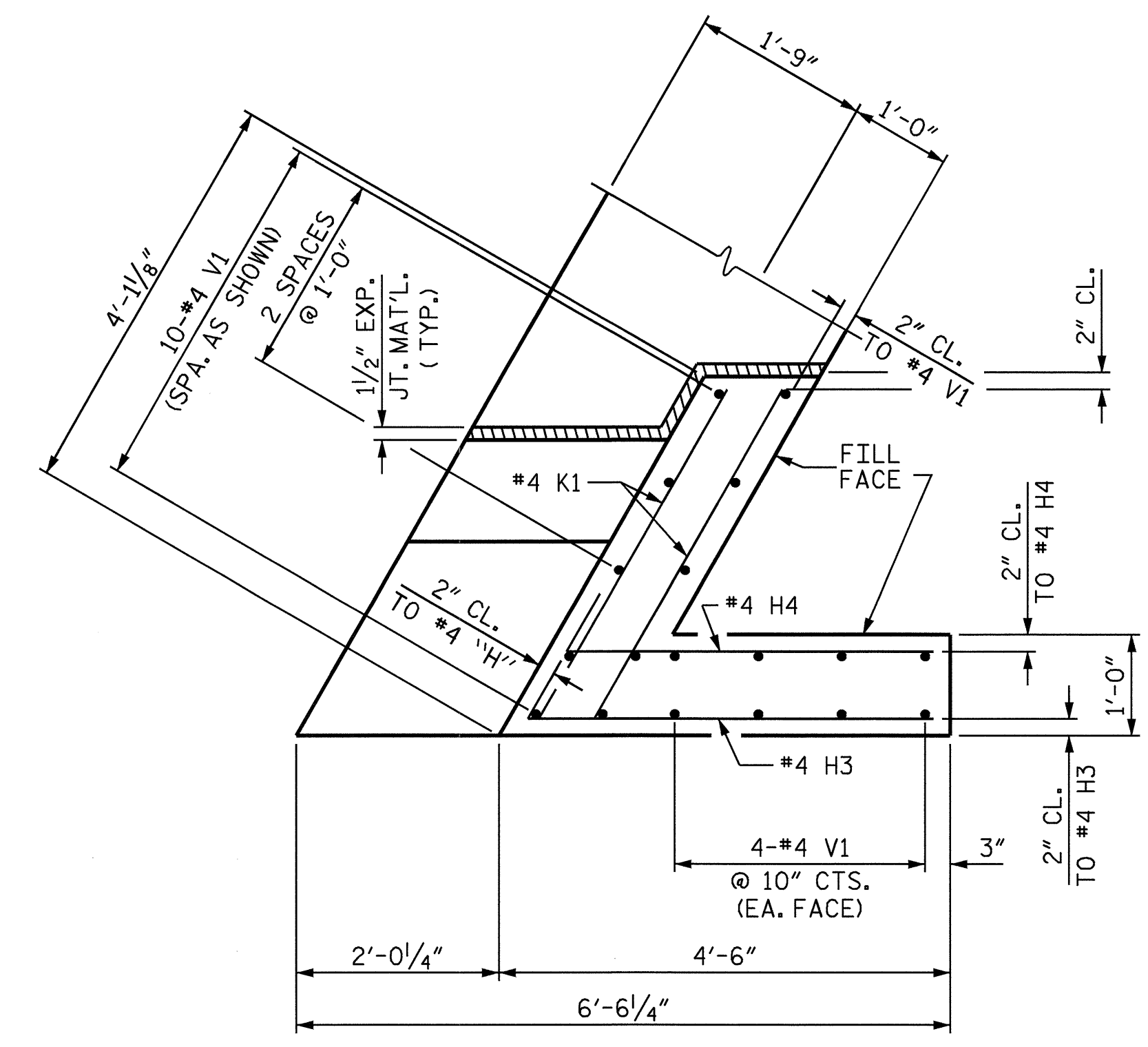
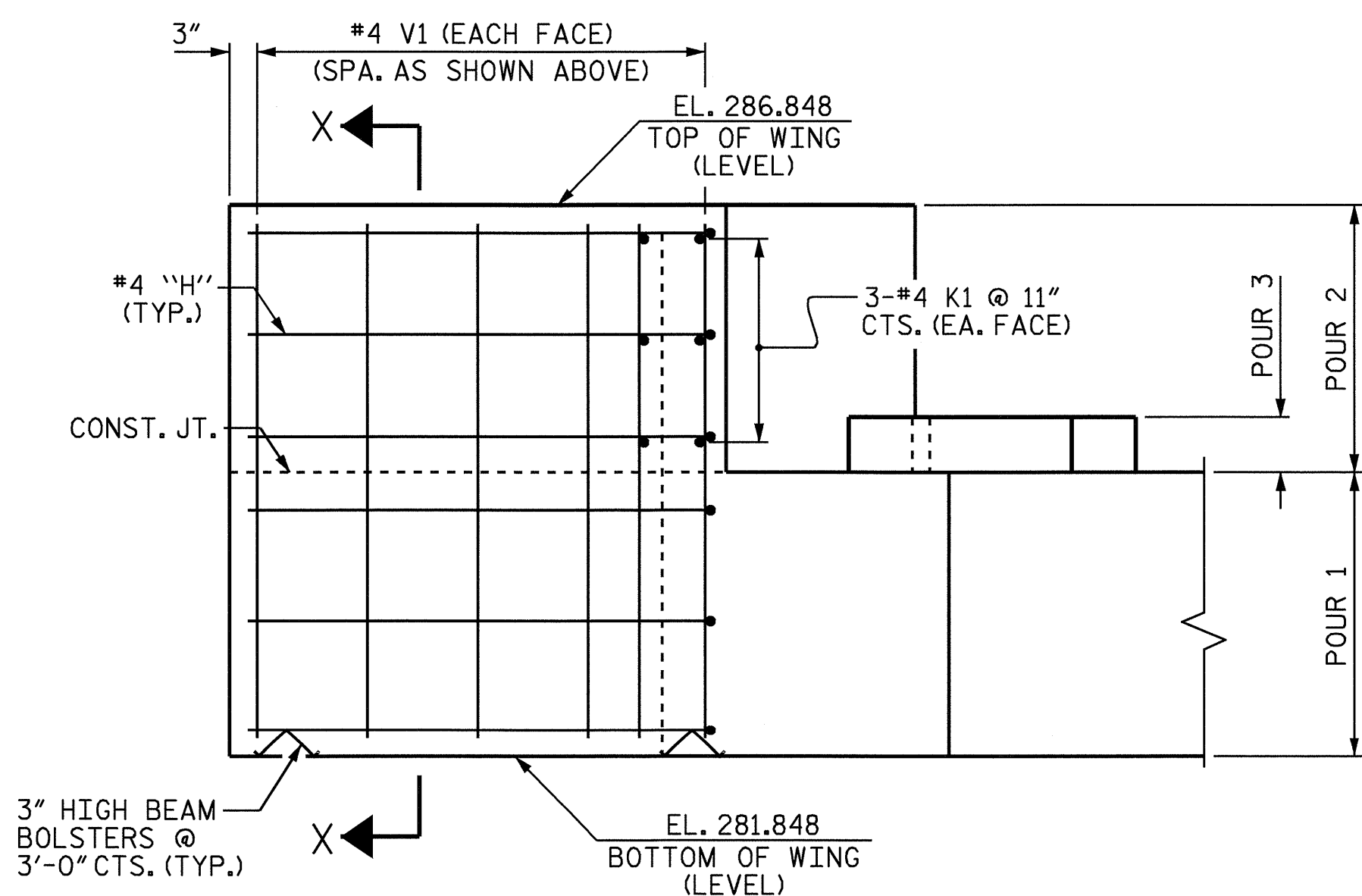


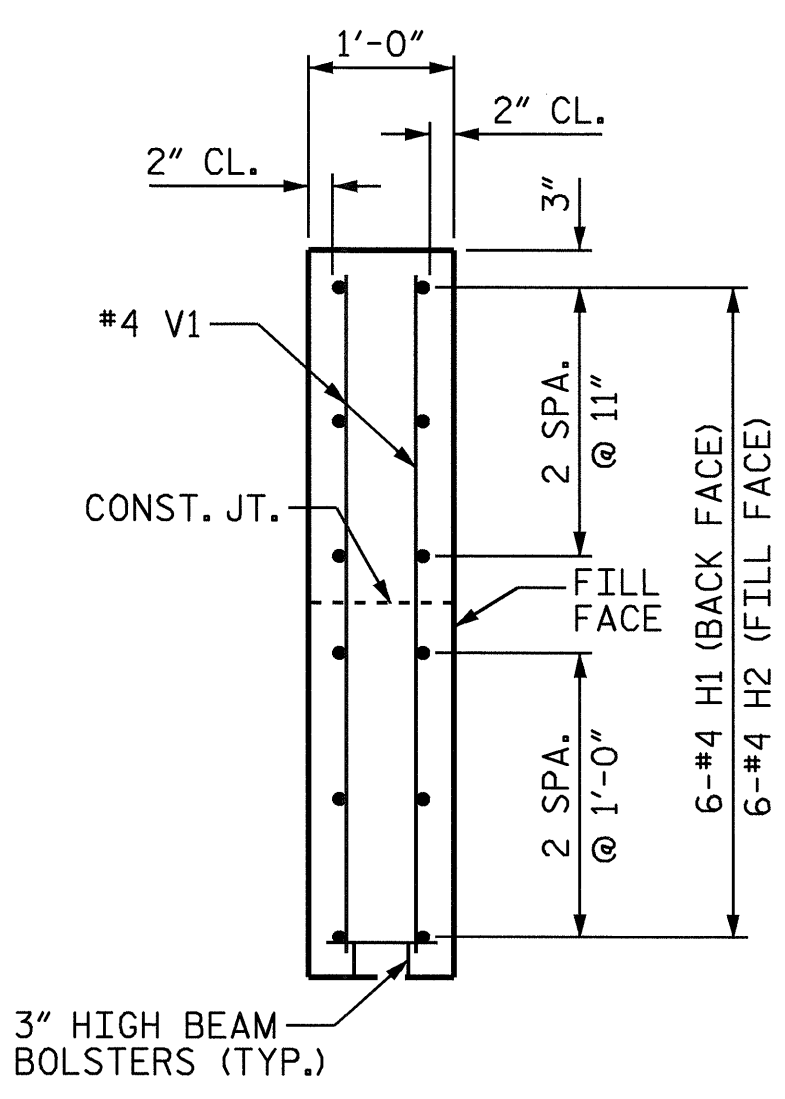
PLAN OF WING (W1)



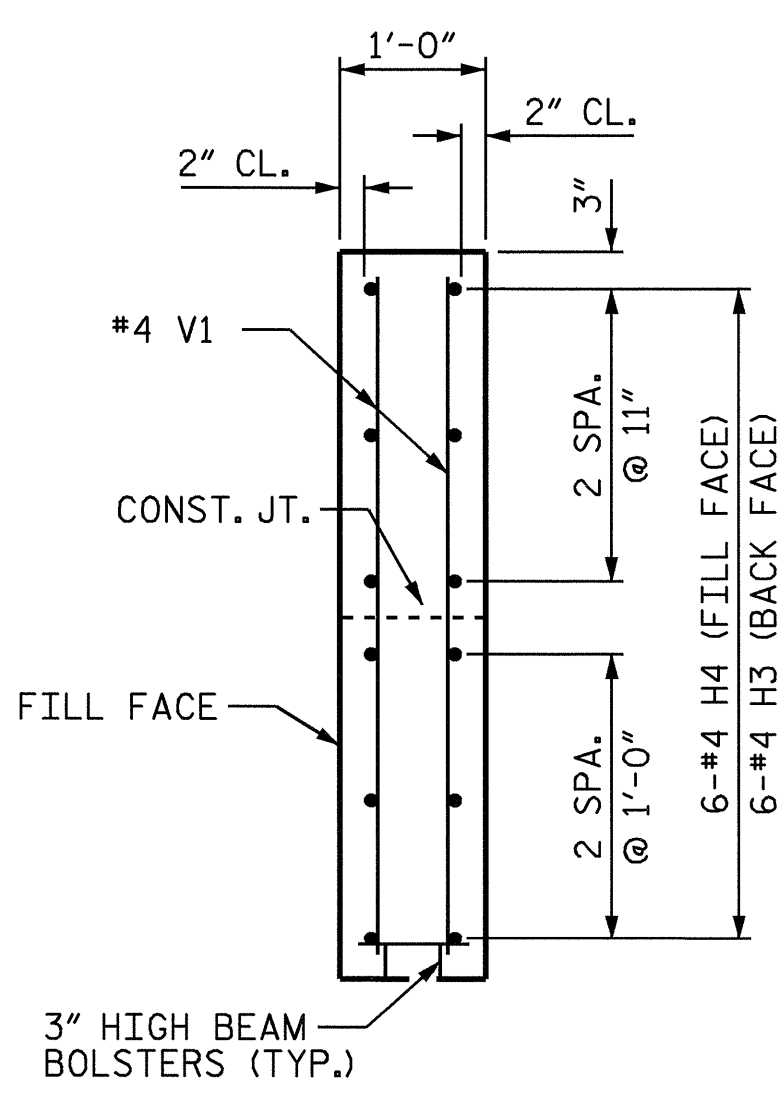
PLAN OF WING (W2)



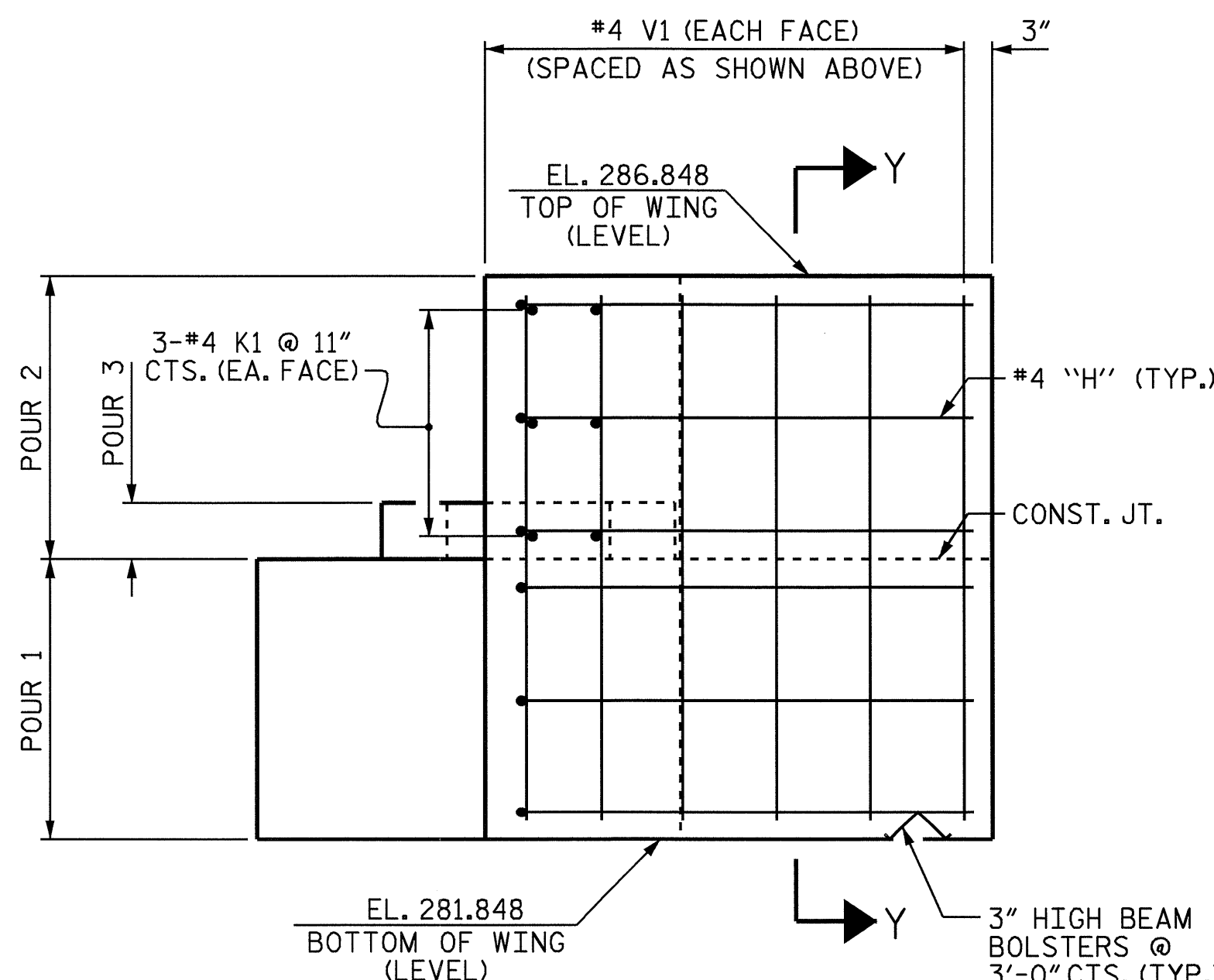
ELEVATION OF WING (W1)



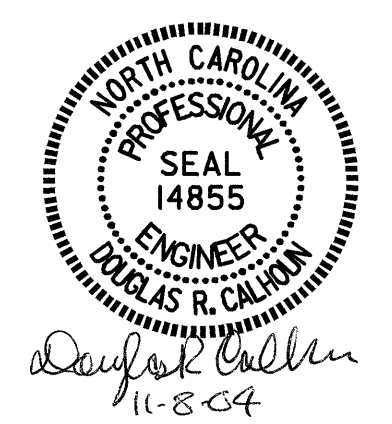
SECTION X-X



SECTION Y-Y



ELEVATION OF WING (W2)



PROJECT NO. B-3451
DURHAM COUNTY
 STATION: 14+99.30 -L-
 SHEET 2 OF 3

STATE OF NORTH CAROLINA
 DEPARTMENT OF TRANSPORTATION
 RALEIGH
 SUBSTRUCTURE
 END BENT 2

DRAWN BY : T. A. HARRIS DATE : 6/3/03
 CHECKED BY : K. MCCAULEY DATE : 6/6/03

REVISIONS						SHEET NO.	
NO.	BY:	DATE:	NO.	BY:	DATE:	S-23	
1			3			TOTAL SHEETS	
2			4			27	