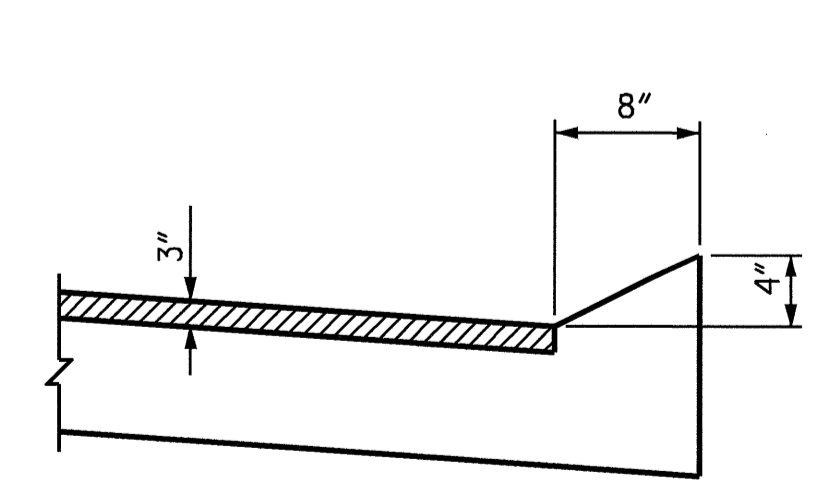


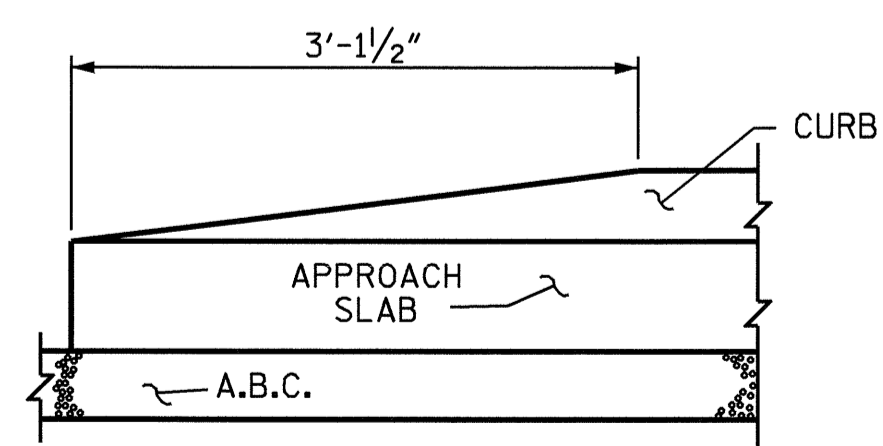
END BENT 1

END BENT 2

PLAN



SECTION L-L



END OF CURB WITHOUT SHOULDER BERM GUTTER

(OMIT TAPER WHEN SHOULDER BERM GUTTER IS REQUIRED)

CURB DETAILS

PROJECT NO. B-3451
DURHAM COUNTY
STATION: 14+99.30 -L-

SHEET 2 OF 2

STATE OF NORTH CAROLINA
DEPARTMENT OF TRANSPORTATION
RALEIGH

BRIDGE APPROACH SLAB
FOR REINFORCED
CONCRETE CORED SLAB



REVISIONS				SHEET NO.	
NO.	BY:	DATE:	NO.	BY:	DATE:
1			3		
2			4		

DRAWN BY : K. MCCAULEY/E. G. A. DATE : 9/01/04
CHECKED BY : T. A. HARRIS DATE : 9/08/04