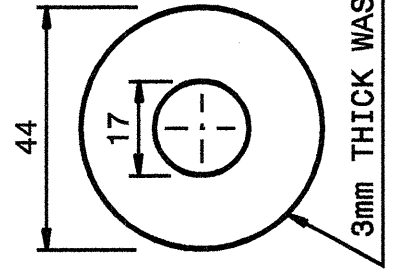
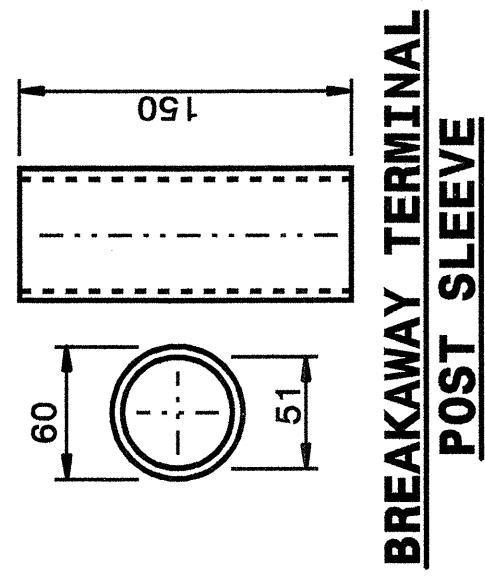


20-MAY-2003 07:54
 W:\Special Design\02\Project\ward\stds\02\Stds to Special\Details\metric\86202\0862d02m.dgn
 :spoil At 05176310

STATE OF
 NORTH CAROLINA
 DEPT. OF TRANSPORTATION
 DIVISION OF HIGHWAYS
 RALEIGH, N.C.

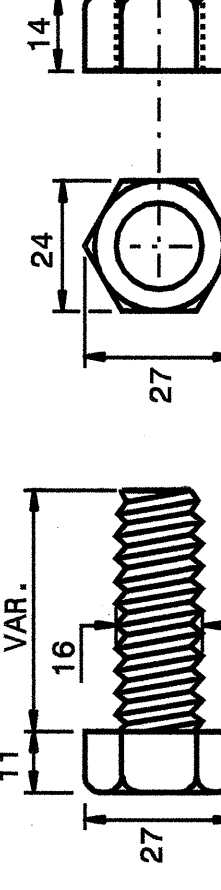
METRIC DETAIL DRAWING FOR
GUARDRAIL INSTALLATION

SHEET 5 OF 7
862D02

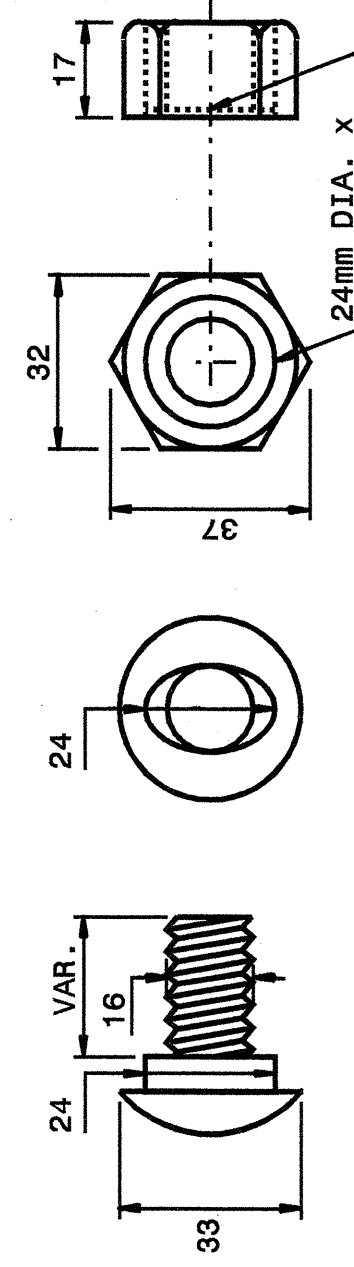


DETAIL OF STANDARD WASHER

STANDARD WASHER: TYPICAL USE UNDER NUT WITH WOOD POST



DETAIL OF BUTTON HEAD BOLT AND NUT

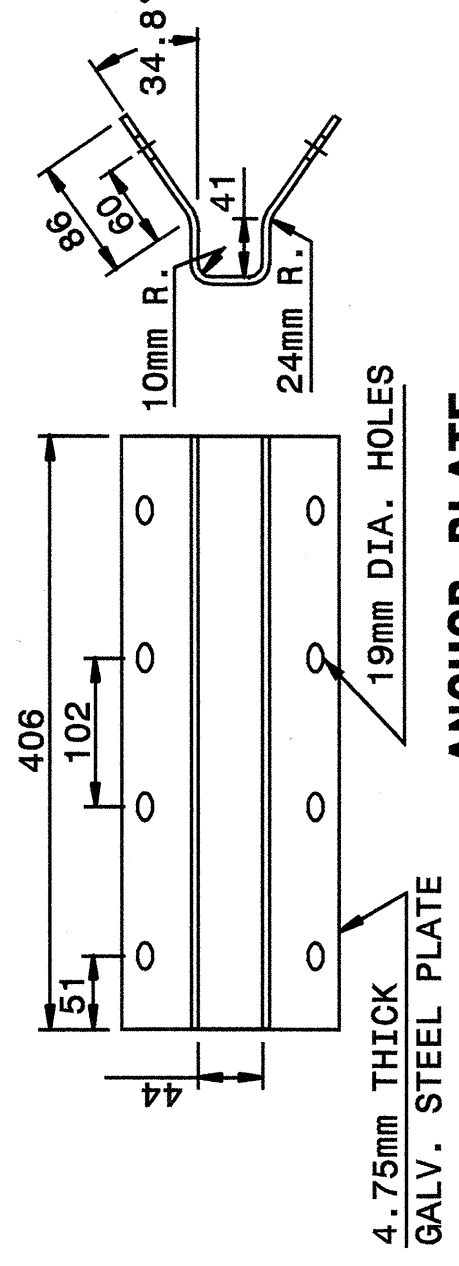
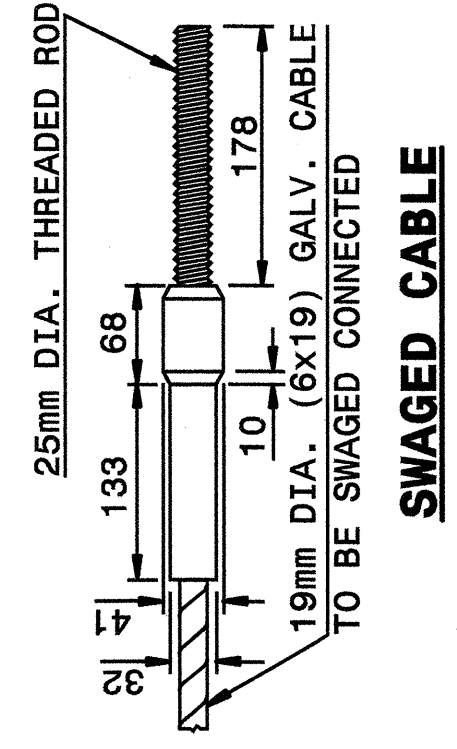
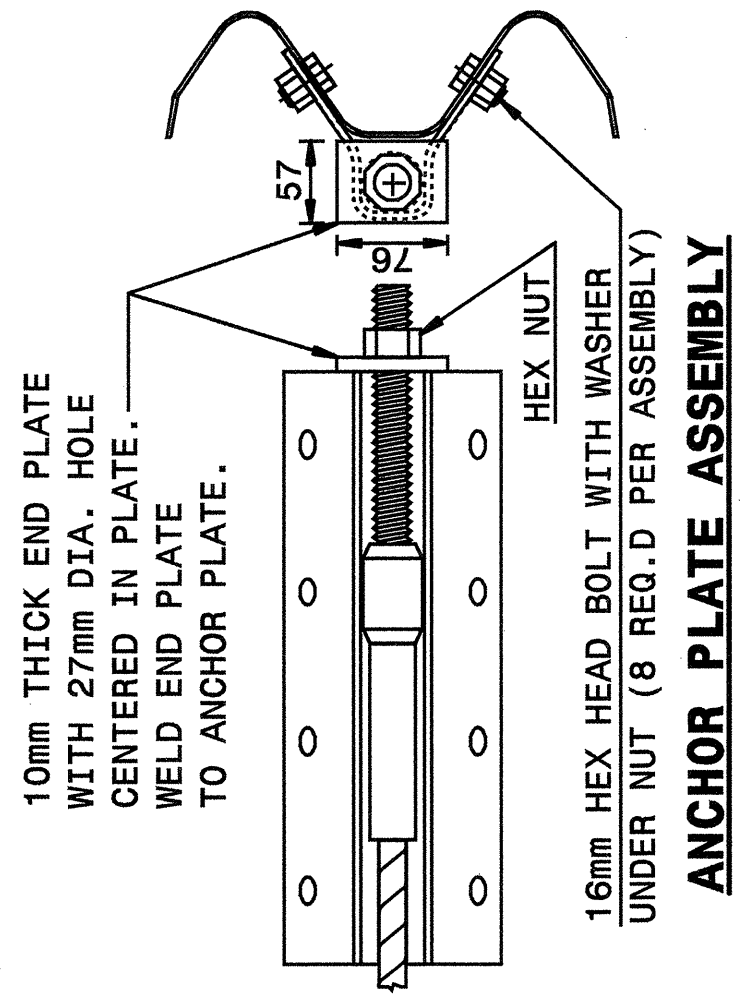


Note:
 This drawing is dimensioned in
 millimeters unless otherwise
 depicted within the drawing.

STATE OF
 NORTH CAROLINA
 DEPT. OF TRANSPORTATION
 DIVISION OF HIGHWAYS
 RALEIGH, N.C.

METRIC DETAIL DRAWING FOR
GUARDRAIL INSTALLATION

SHEET 5 OF 7
862D02



SYSTEM PARTS

STATE OF
 NORTH CAROLINA
 DEPT. OF TRANSPORTATION
 DIVISION OF HIGHWAYS
 RALEIGH, N.C.

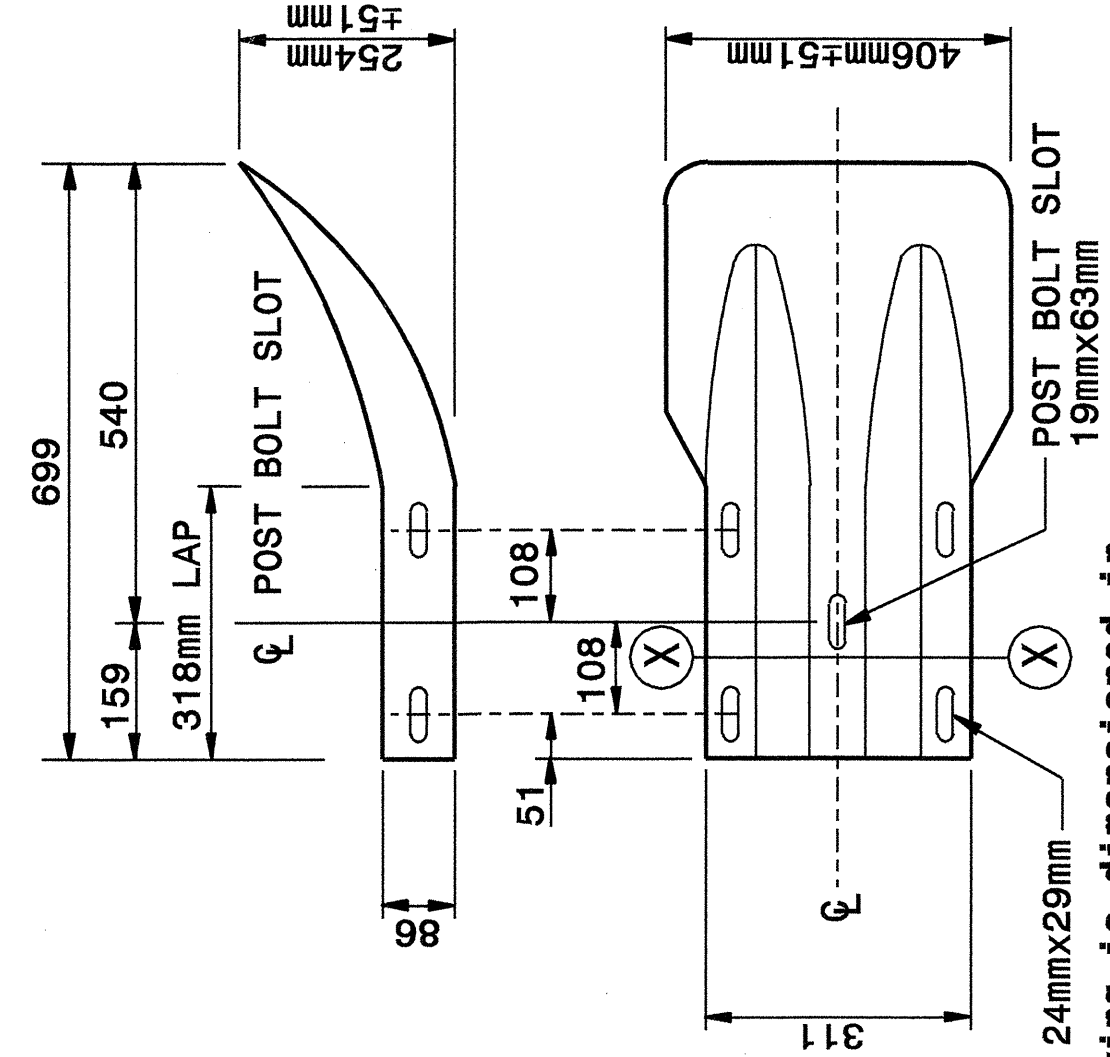
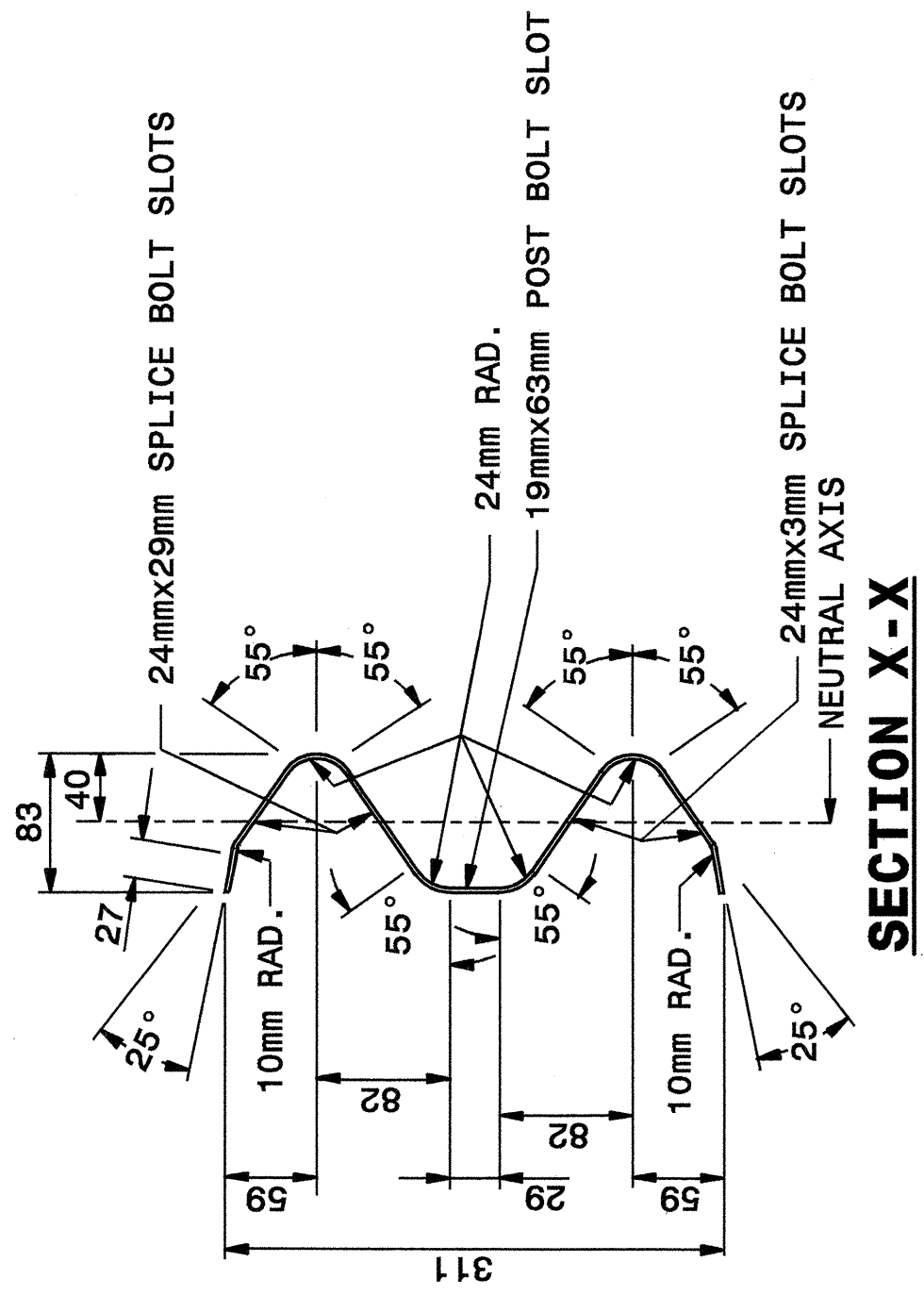
METRIC DETAIL DRAWING FOR
GUARDRAIL INSTALLATION

SHEET 6 OF 7
862D02

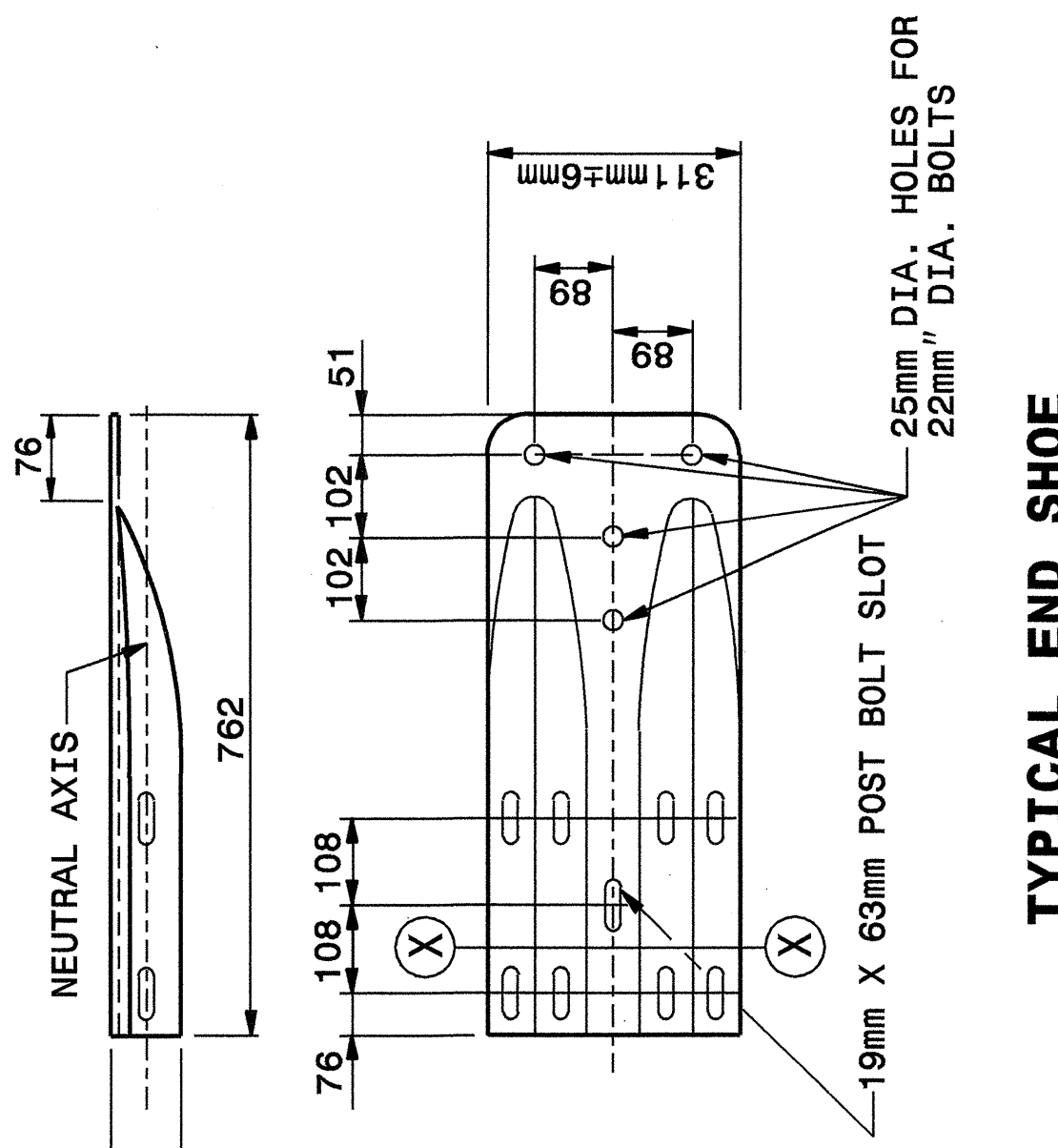
STATE OF
 NORTH CAROLINA
 DEPT. OF TRANSPORTATION
 DIVISION OF HIGHWAYS
 RALEIGH, N.C.

METRIC DETAIL DRAWING FOR
GUARDRAIL INSTALLATION

SHEET 6 OF 7
862D02



Note:
 This drawing is dimensioned in
 millimeters unless otherwise
 depicted within the drawing.



SYSTEM PARTS - GENERAL USE

DESIGN SERVICES UNIT
 STANDARDS AND SPECIAL DESIGN
 Office 919-250-4128 FAX 919-250-4119

SEE PLATE FOR TITLE

ORIGINAL BY: 2002 STD.862.02 DATE:
 MODIFIED BY: E.E. WARD DATE: 02-09-03
 CHECKED BY: DATE: 5-05
 FILE SPEC.: /usr/stds/02todet/metric/86202/862d02m.dgn

