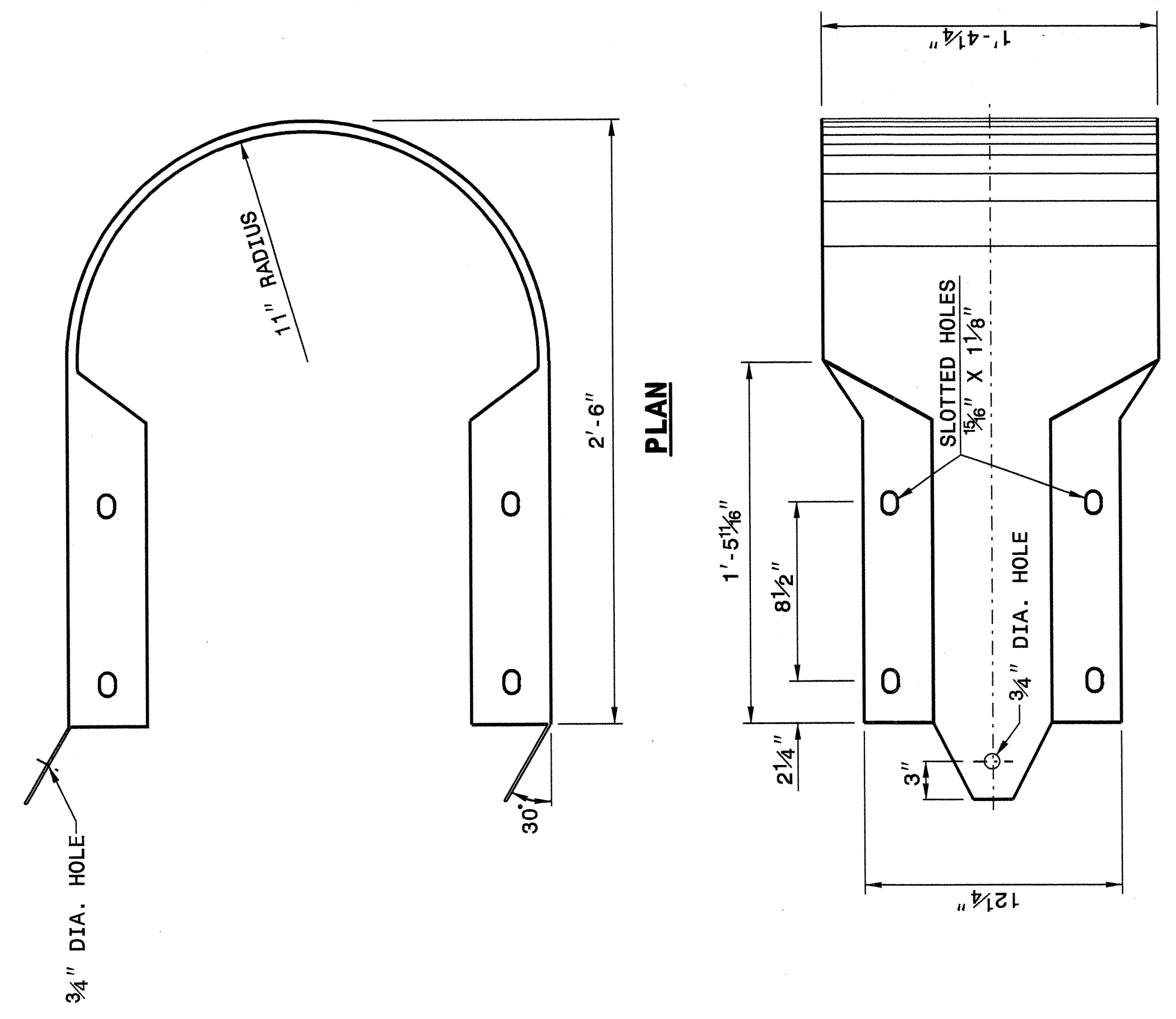


STATE OF
NORTH CAROLINA
DEPT. OF TRANSPORTATION
DIVISION OF HIGHWAYS
RALEIGH, N.C.

ENGLISH DETAIL DRAWING FOR
GUARDRAIL INSTALLATION

SHEET 7 OF 7
862D02

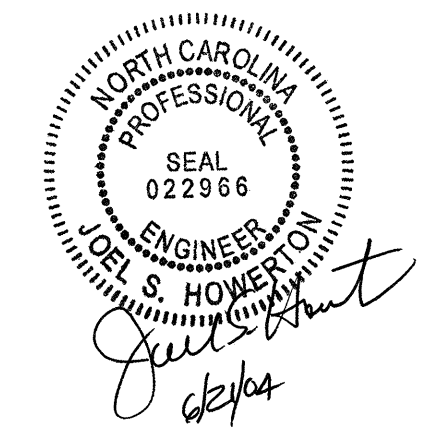


PLAN
ELEVATION
BUFFERED END SECTION

STATE OF
NORTH CAROLINA
DEPT. OF TRANSPORTATION
DIVISION OF HIGHWAYS
RALEIGH, N.C.

ENGLISH DETAIL DRAWING FOR
GUARDRAIL INSTALLATION

SHEET 7 OF 7
862D02



DESIGN SERVICES UNIT STANDARDS AND SPECIAL DESIGN	
Office 919-250-4128 FAX 919-250-4119	
SEE PLATE FOR TITLE	
ORIGINAL BY: 2002 STD.862.02	DATE: _____
MODIFIED BY: E.E. WARD	DATE: 02-09-03
CHECKED BY: <i>Joe S. Howerton</i>	DATE: 4-29-04
FILE SPEC.: /usr/stds/02todetail/english/86202/862d02.dgn	

29-APR-2004 11:01 W:\Special\Detail\pawer-d\stds\02\stds to Special Details/english\86202\0862d02.dgn
Eric Ward A1 05212260 5/14/98