

29-APR-2004 11:01 W:\Special Details\erjward\stds\02\Stds to Special Details\english\862d02.0862d02.dgn erjward AT US22260

STATE OF NORTH CAROLINA DEPT. OF TRANSPORTATION DIVISION OF HIGHWAYS RALEIGH, N.C.

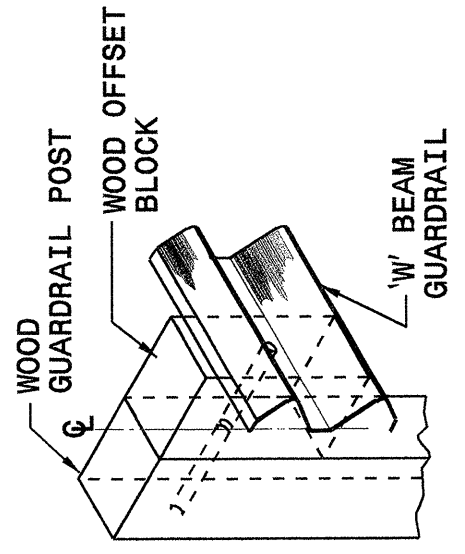
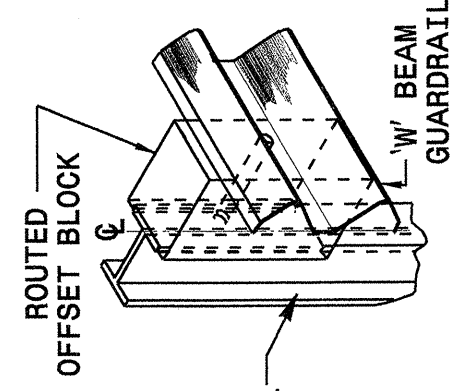
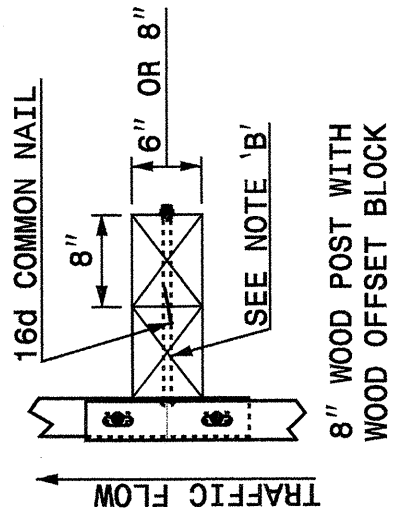
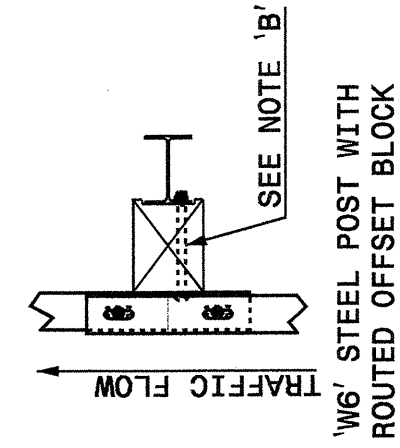
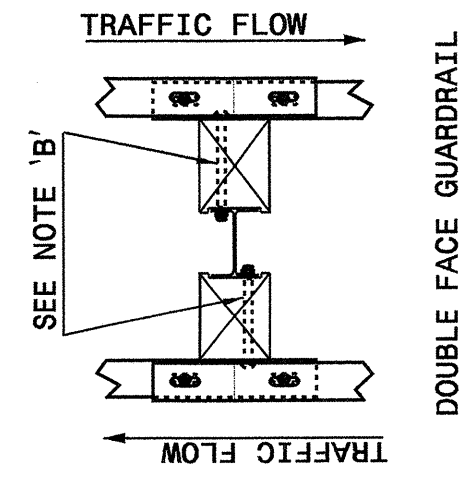
ENGLISH DETAIL DRAWING FOR GUARDRAIL INSTALLATION

SHEET 3 OF 7 862D02

STATE OF NORTH CAROLINA DEPT. OF TRANSPORTATION DIVISION OF HIGHWAYS RALEIGH, N.C.

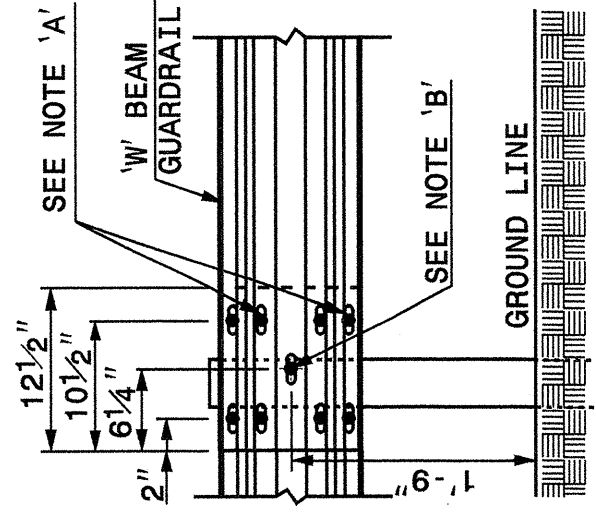
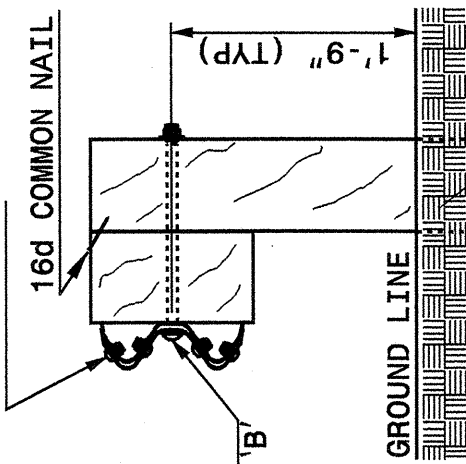
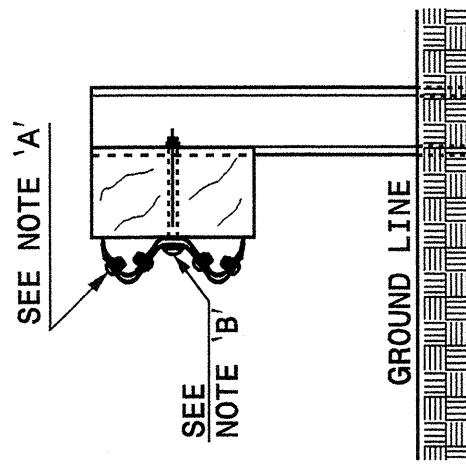
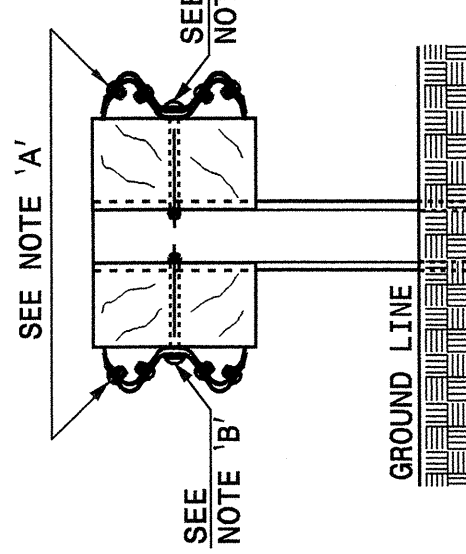
ENGLISH DETAIL DRAWING FOR GUARDRAIL INSTALLATION

SHEET 3 OF 7 862D02



PLAN

ISOMETRIC VIEWS



DOUBLE FACE GUARDRAIL

'W6' STEEL POST WITH ROUTED OFFSET BLOCK

'8" WOOD POST WITH WOOD OFFSET BLOCK

FRONT

- NOTES:
 A - 3/8" DIA. BUTTON HEAD SPlice BOLT 1 1/4" LONG (8 REG. PER SPlice JOINT).
 B - 3/8" DIA. BUTTON HEAD BOLT 7 1/2" / 9" LONG WITH NUT FOR BOLTING 6" / 8" ROUTED OFFSET BLOCK TO STEEL POSTS OR 5/8" DIA. BUTTON HEAD BOLT 18" LONG WITH STD. WASHER UNDER NUT FOR BOLTING TO WOOD POSTS (1 REG. PER LOCATION)
 C - FIELD PUNCHING OF HOLES INTO GUARDRAIL SHALL BE AS DIRECTED BY THE ENGINEER.

TYPICAL GUARDRAIL AND GUARDRAIL POST ALTERNATIVES

STATE OF NORTH CAROLINA DEPT. OF TRANSPORTATION DIVISION OF HIGHWAYS RALEIGH, N.C.

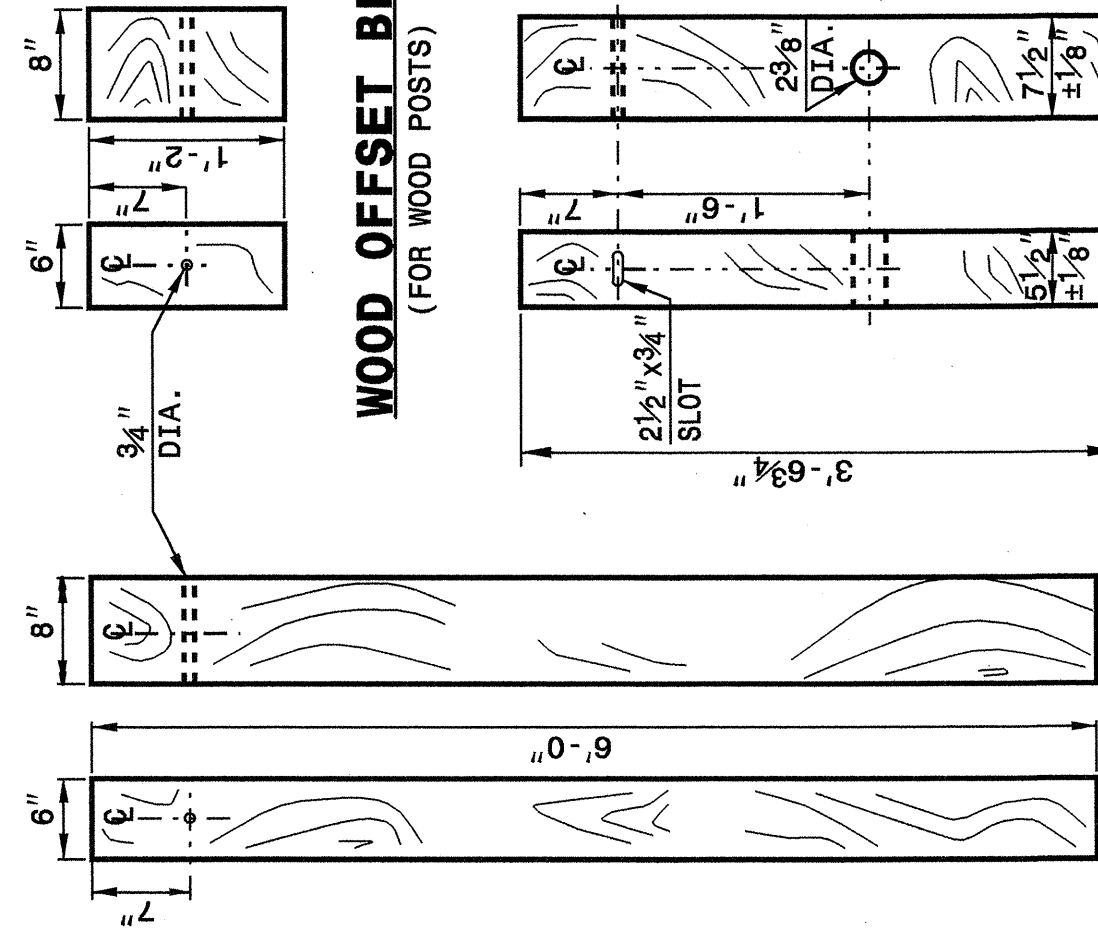
ENGLISH DETAIL DRAWING FOR GUARDRAIL INSTALLATION

SHEET 4 OF 7 862D02

STATE OF NORTH CAROLINA DEPT. OF TRANSPORTATION DIVISION OF HIGHWAYS RALEIGH, N.C.

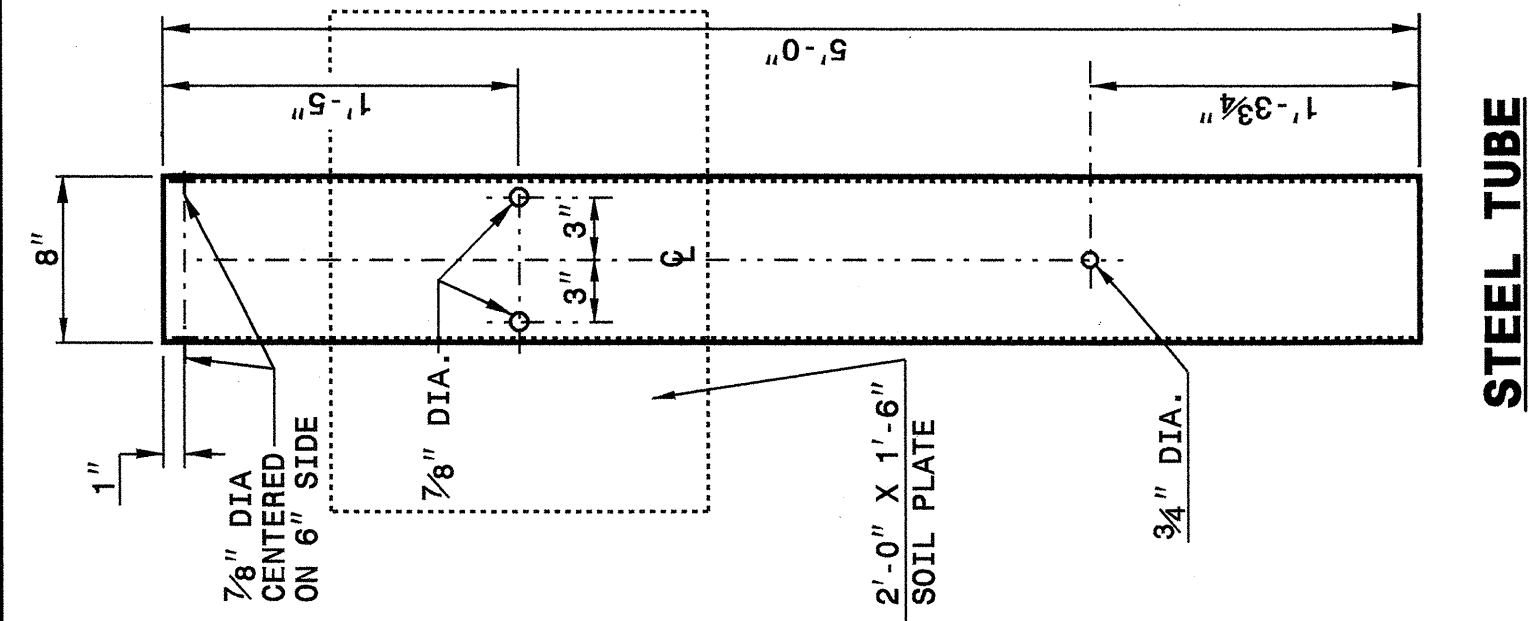
ENGLISH DETAIL DRAWING FOR GUARDRAIL INSTALLATION

SHEET 4 OF 7 862D02



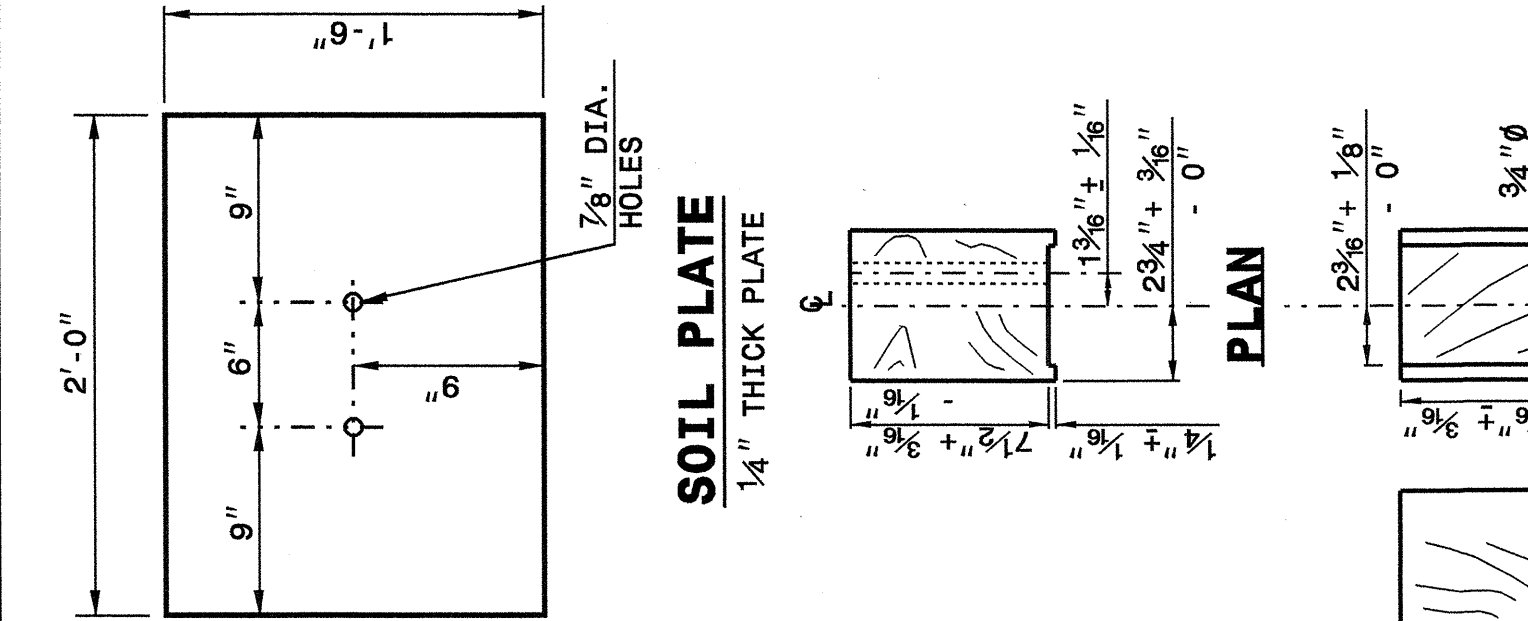
STANDARD LINE POST

SHORT WOOD BREAKAWAY POST



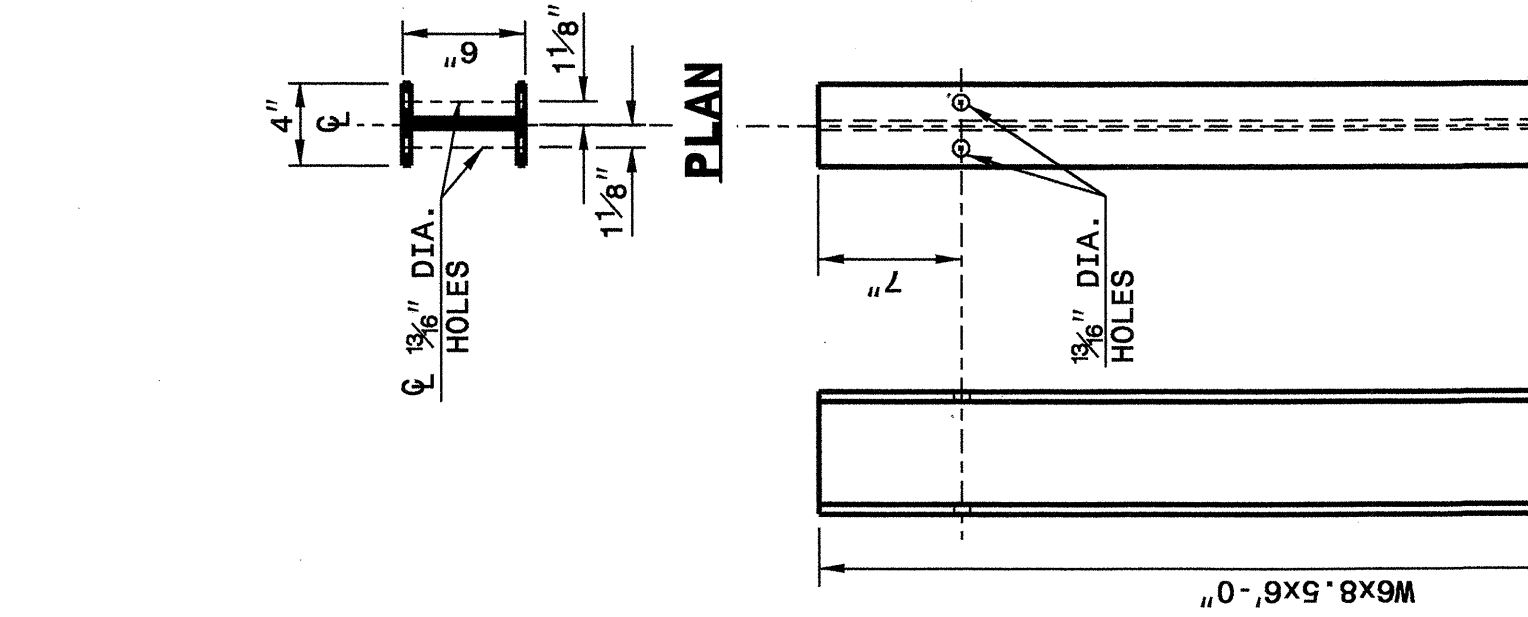
STEEL TUBE TS 6" X 8" X 0.1875"

BEARING PLATE 5/8" THICK PLATE



SOIL PLATE 1/4" THICK PLATE

ROUTED WOOD OFFSET BLOCK



'W6" STEEL POST

DESIGN SERVICES UNIT STANDARDS AND SPECIAL DESIGN Office 919-250-4128 FAX 919-250-4119

SEE PLATE FOR TITLE

ORIGINAL BY: 2002 STD.862.02 DATE: MODIFIED BY: E. E. WARD DATE: 02-09-03 CHECKED BY: J. S. HOWES DATE: 4-29-04 FILE SPEC.: /u6r/stds/02todetail/eng.1ish/86202/862d02.dgn

