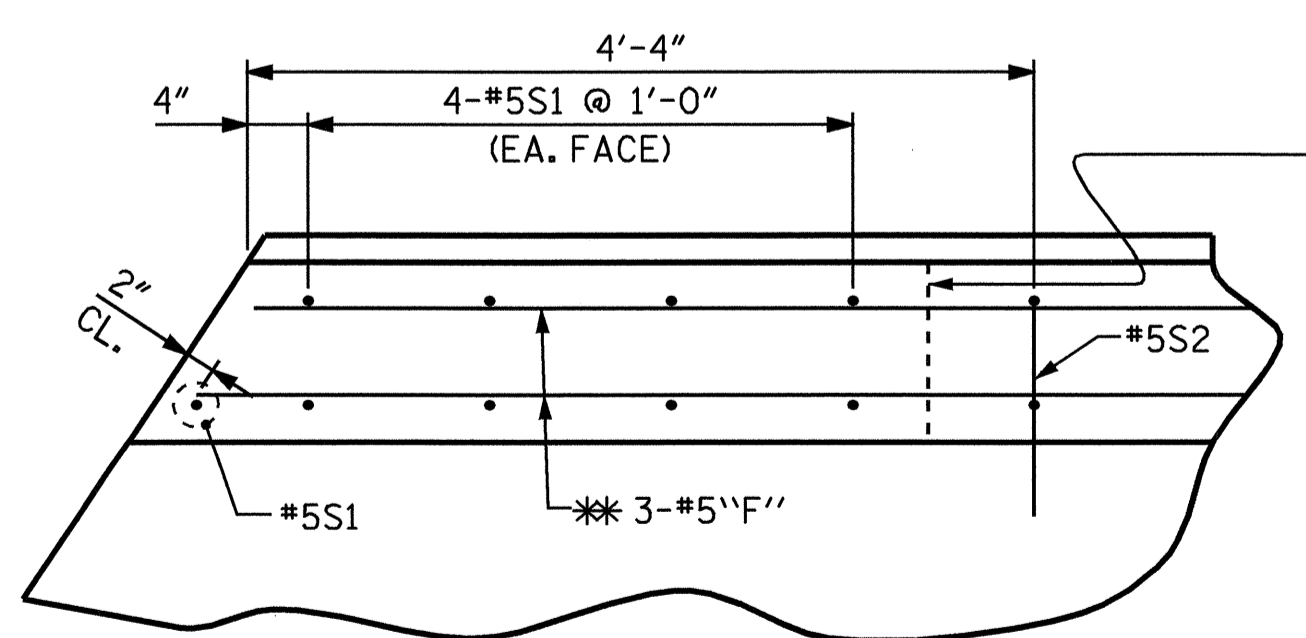


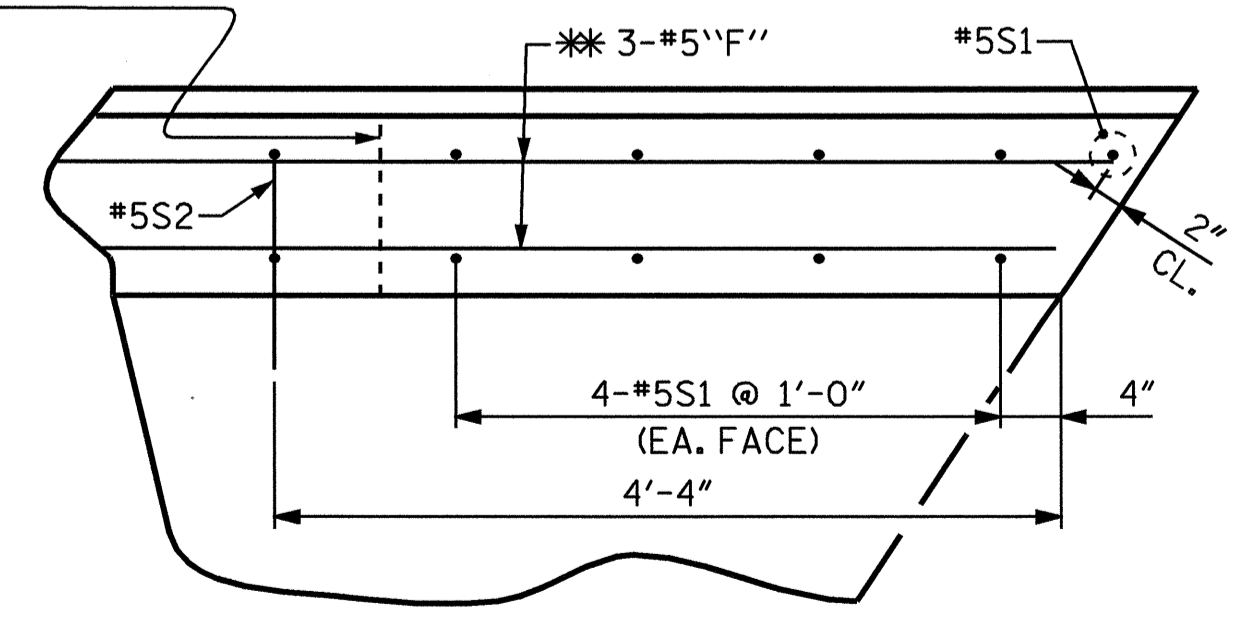
**PLAN OF CONCRETE PARAPET**

- \* ARC DIMENSION ALONG OUTSIDE FACE OF PARAPET.
- \*\* 2 BAR RUN



**DETAIL A**  
 END BENT #1 SHOWN  
 END BENT #2 SIMILAR

PERMITTED  
 CONST. JT.



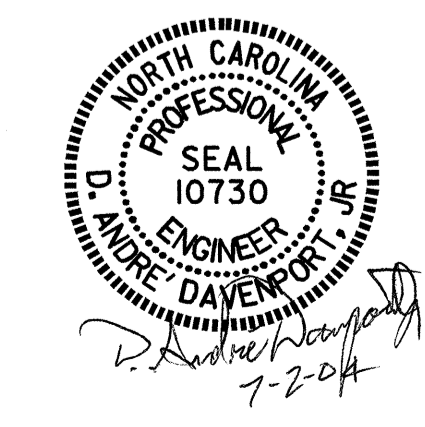
**DETAIL B**  
 END BENT #2 SHOWN  
 END BENT #1 SIMILAR

PROJECT NO. B-3506  
RANDOLPH COUNTY  
 STATION: 17+97.50 -L-

SHEET 1 OF 2

STATE OF NORTH CAROLINA  
 DEPARTMENT OF TRANSPORTATION  
 RALEIGH

**CONCRETE PARAPET  
 DETAILS**



REVISIONS						SHEET NO. 5-19
NO.	BY:	DATE:	NO.	BY:	DATE:	
1			3			TOTAL SHEETS 35
2			4			

DRAWN BY: H. T. BARBOUR DATE: 11-21-03  
 CHECKED BY: D. A. DAVENPORT DATE: 3-04