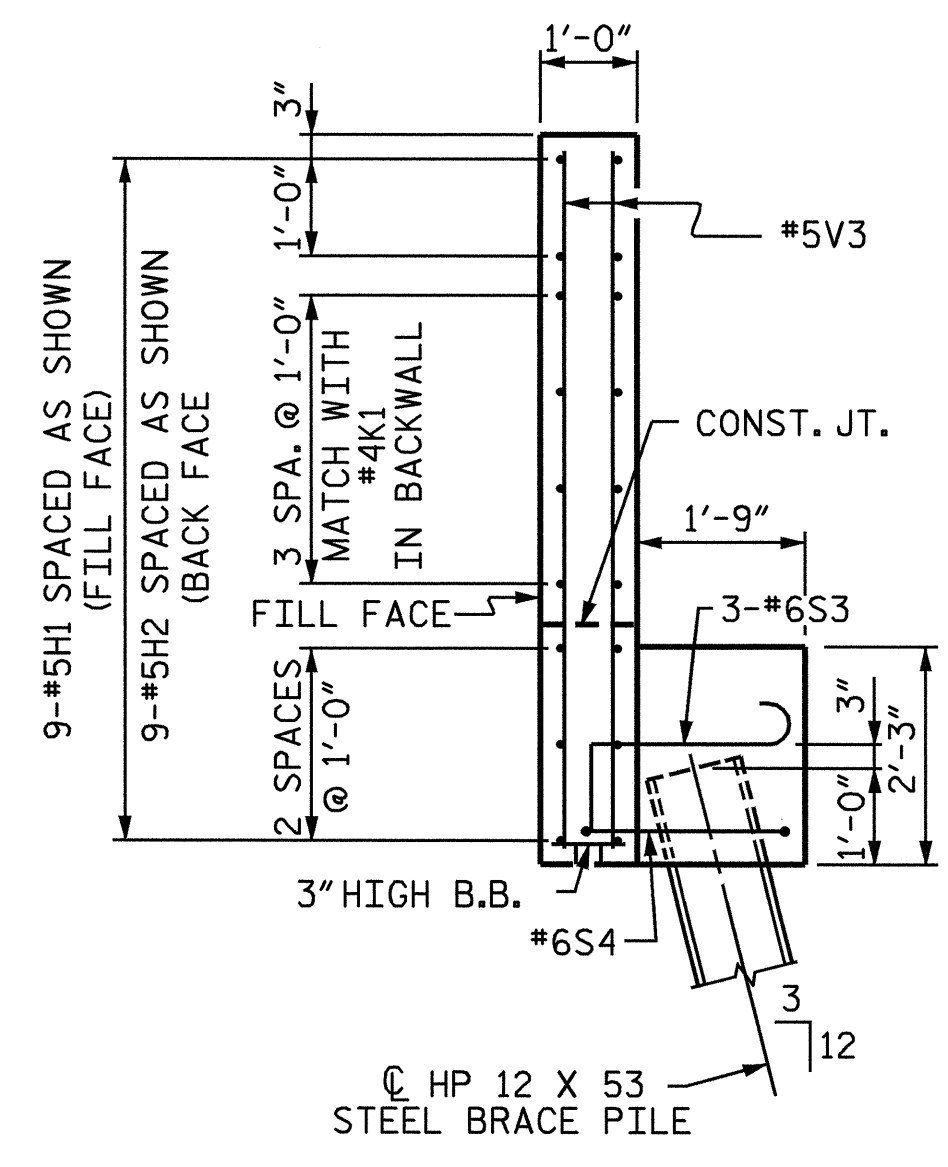
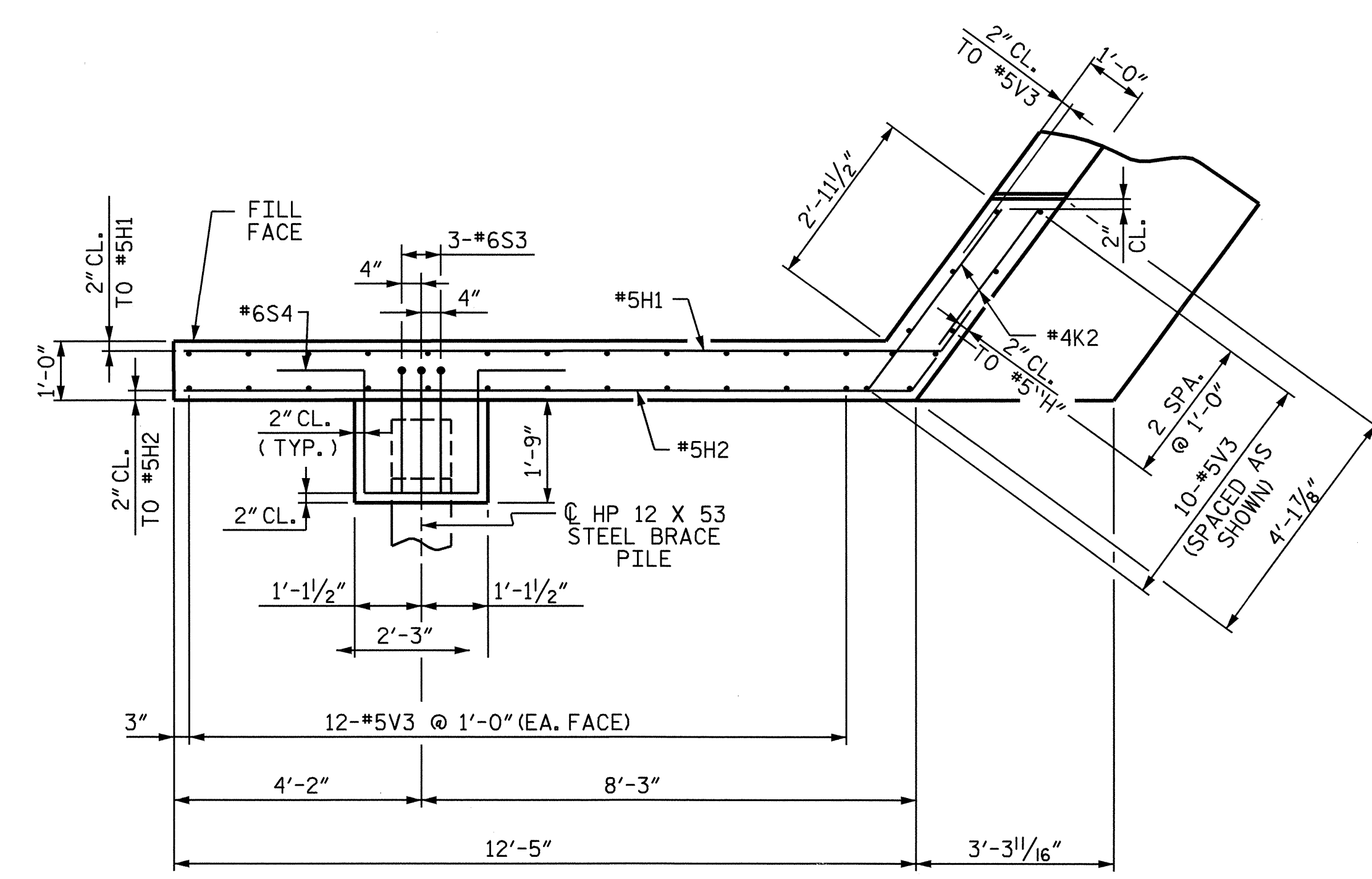


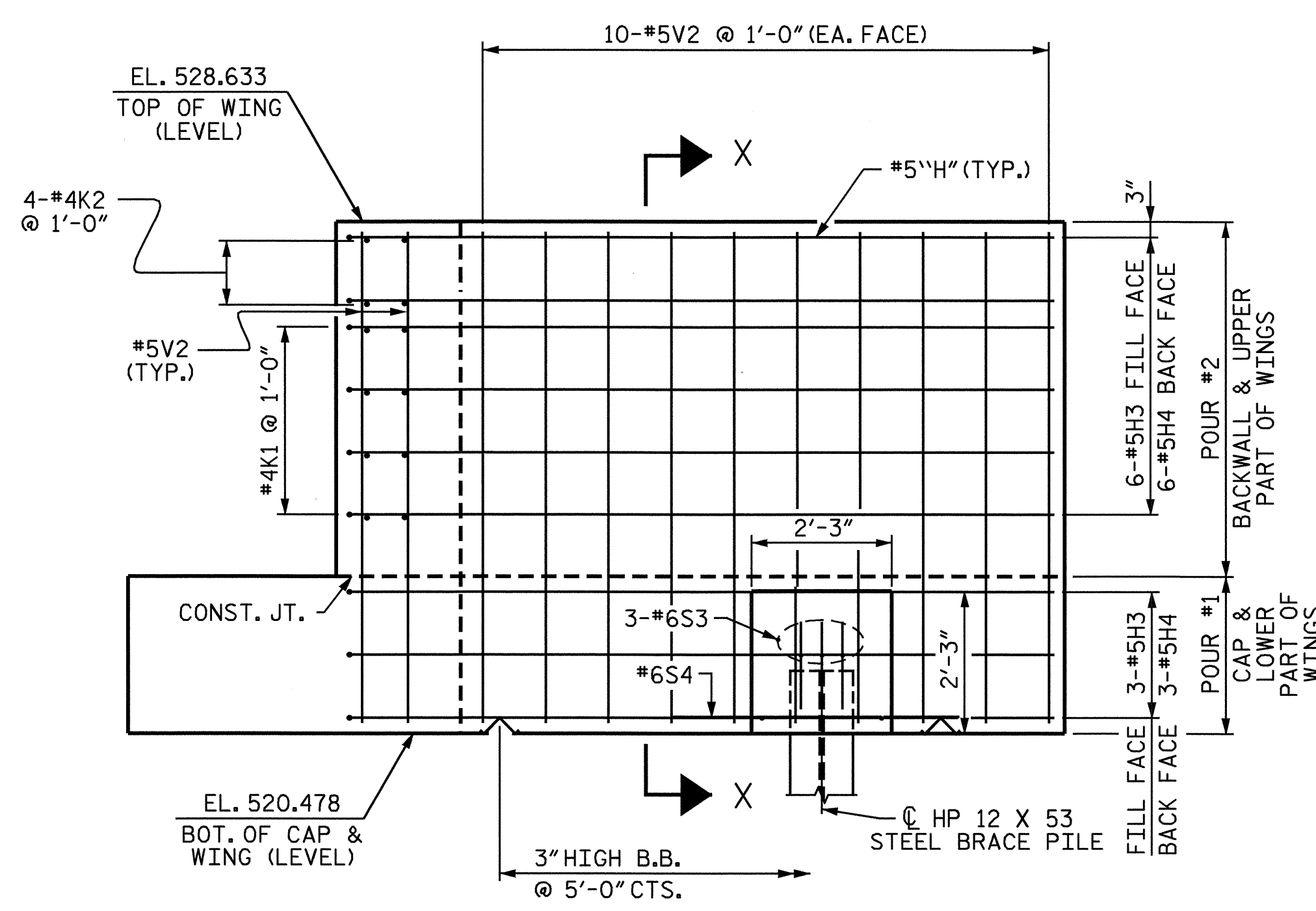
PLAN OF LEFT WING - W1



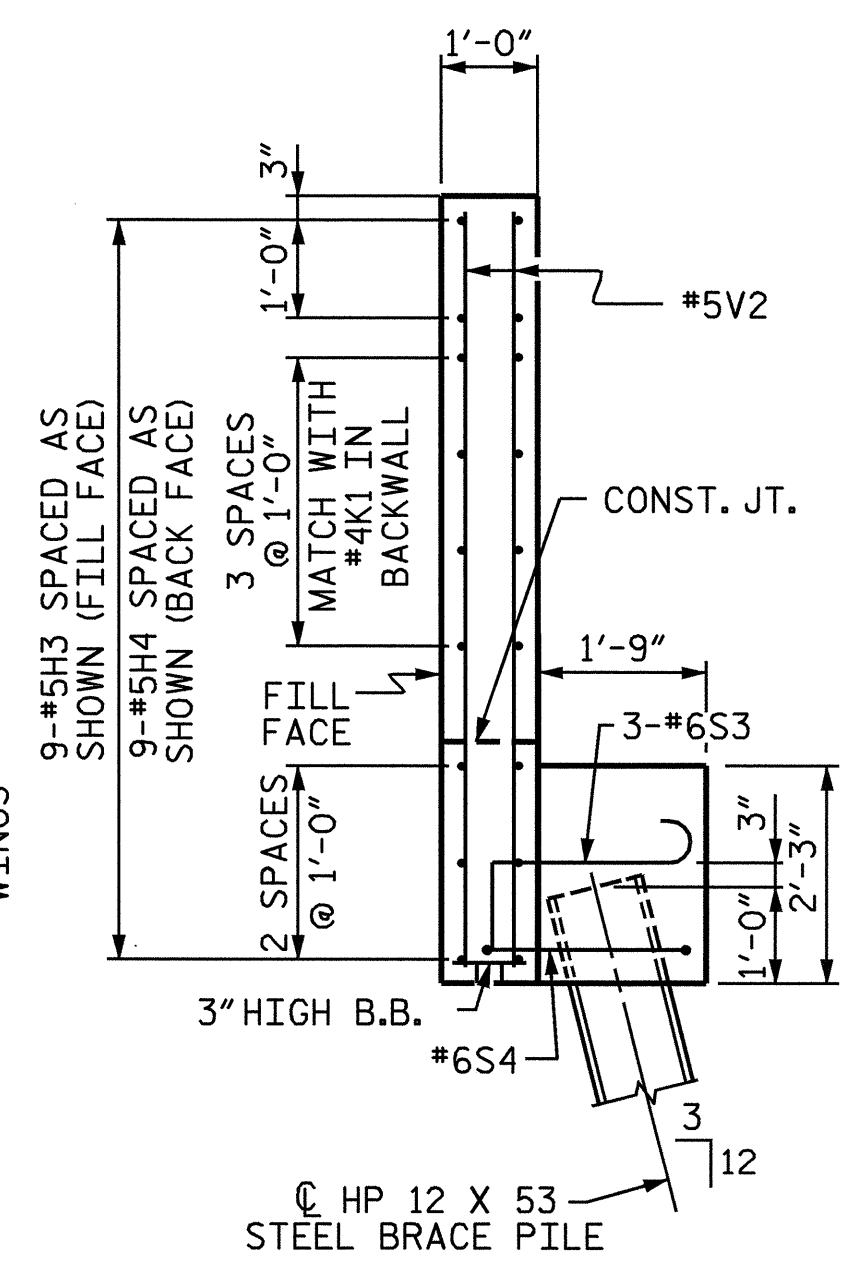
SECTION Y-Y



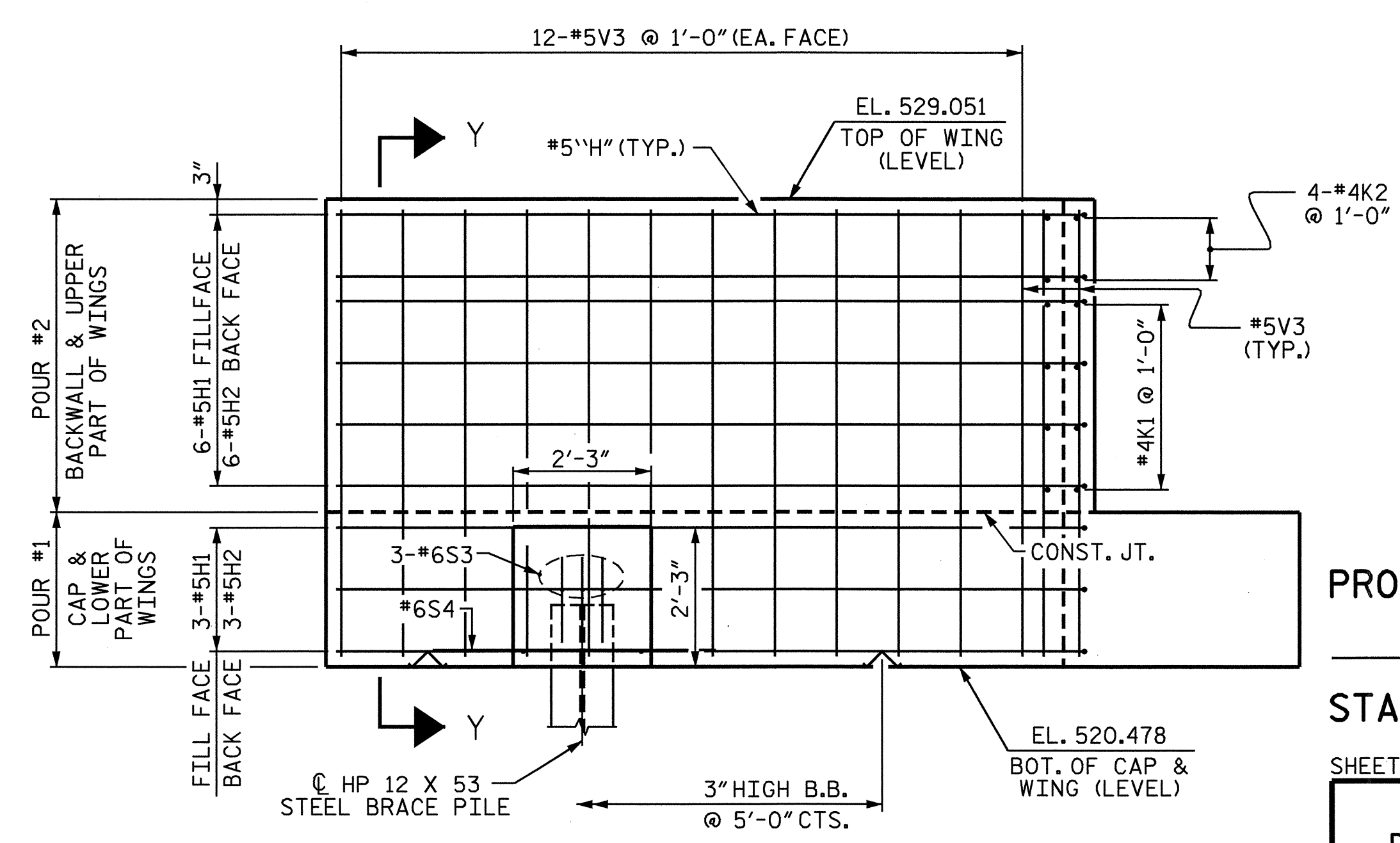
PLAN OF RIGHT WING - W2



ELEVATION OF LEFT WING - W1



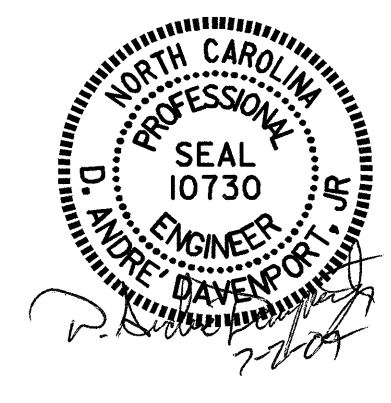
SECTION X-X



ELEVATION OF RIGHT WING - W2

PROJECT NO. B-3506
 RANDOLPH COUNTY
 STATION: 17+97.50 -L-
 SHEET 2 OF 3

STATE OF NORTH CAROLINA
 DEPARTMENT OF TRANSPORTATION
 RALEIGH
 SUBSTRUCTURE
 END BENT #1
 WING DETAILS



DRAWN BY: H. T. BARBOUR DATE: 6-10-04
 CHECKED BY: D. A. DAVENPORT DATE: 7-04

REVISIONS						SHEET NO.	
NO.	BY:	DATE:	NO.	BY:	DATE:	5-23	
1			3			TOTAL SHEETS	
2			4			36	