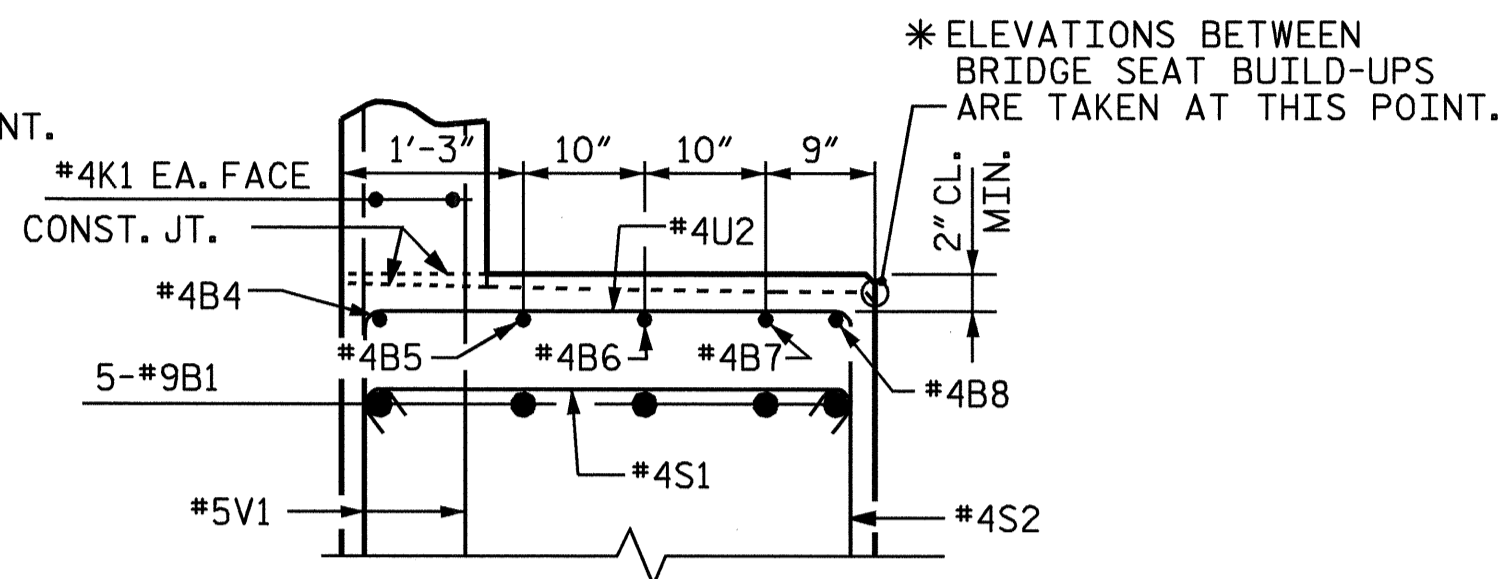
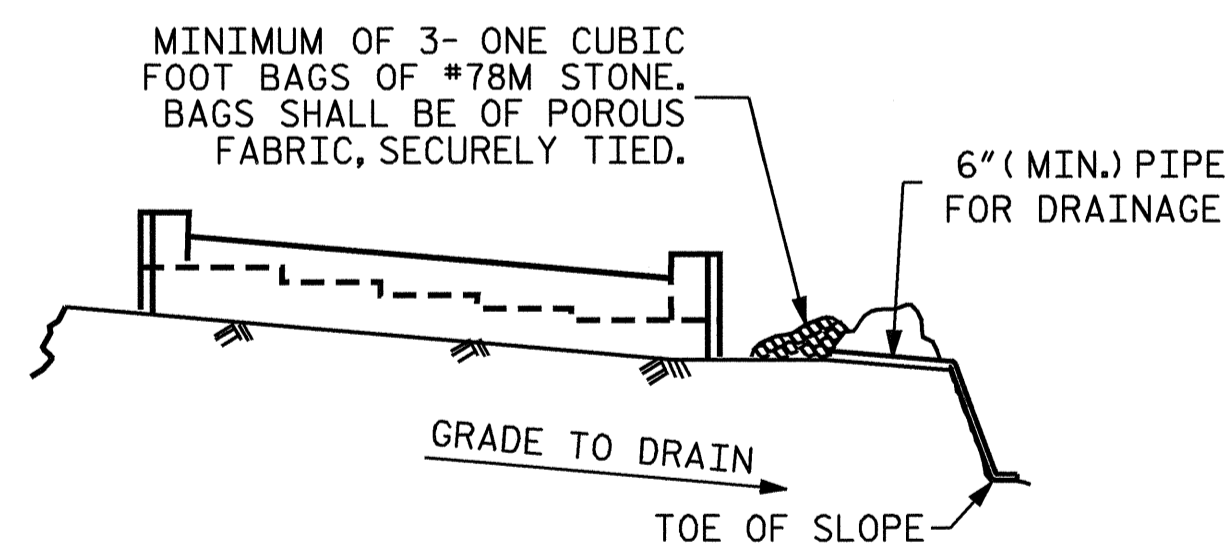


SECTION A-A



SECTION B-B



MINIMUM OF 3- ONE CUBIC FOOT BAGS OF #78M STONE. BAGS SHALL BE OF POROUS FABRIC, SECURELY TIED.

6" (MIN.) PIPE FOR DRAINAGE

GRADE TO DRAIN

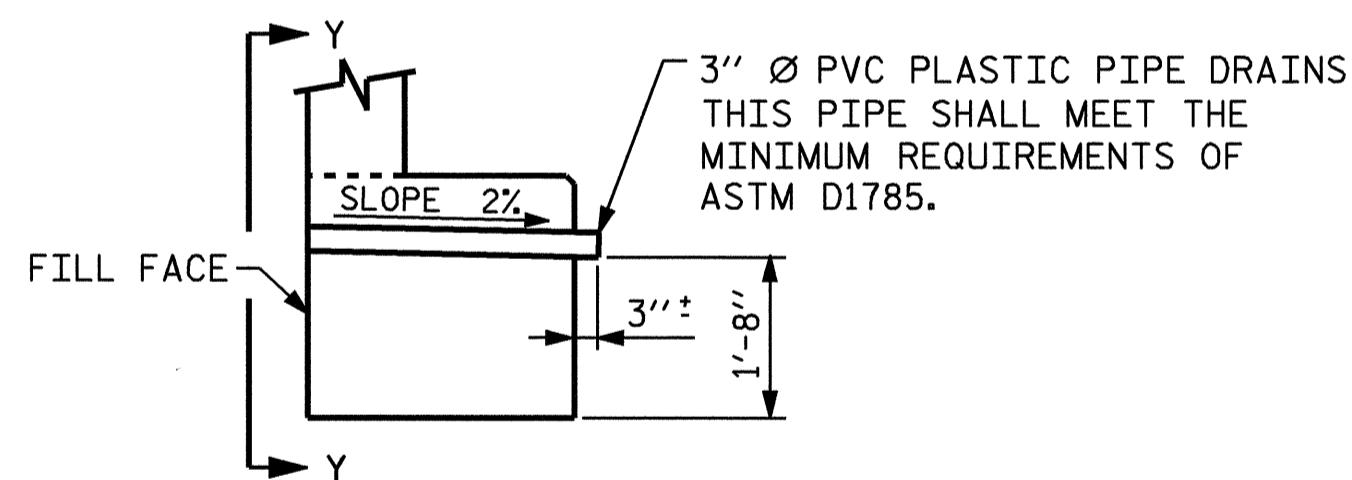
TOE OF SLOPE

BAGGED STONE AND PIPE SHALL BE PLACED IMMEDIATELY AFTER COMPLETION OF END BENT EXCAVATION. PIPE MAY BE EITHER CONCRETE, CORRUGATED STEEL, CORRUGATED ALUMINUM ALLOY, OR CORRUGATED PLASTIC. PERFORATED PIPE WILL NOT BE ALLOWED.

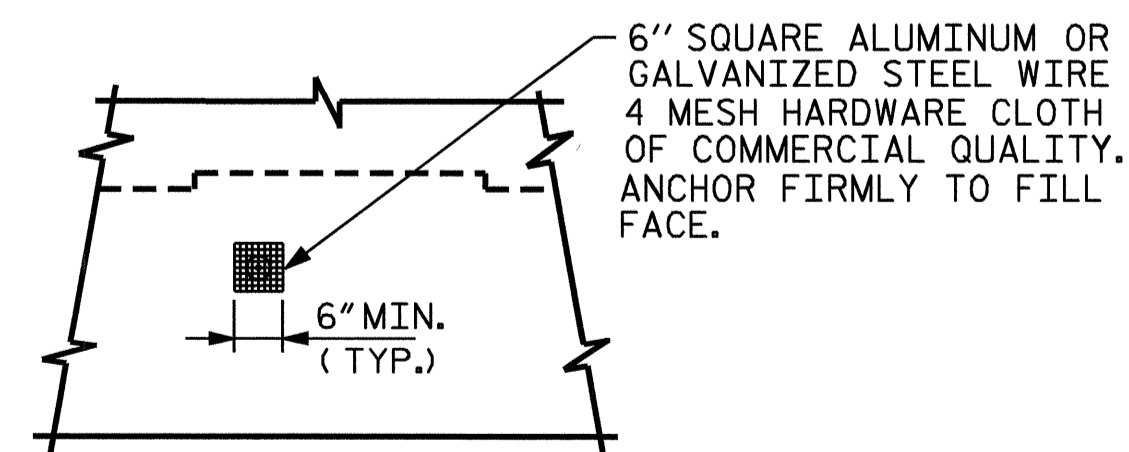
BAGGED STONE SHALL REMAIN IN PLACE UNTIL THE ENGINEER DIRECTS THAT IT BE REMOVED. THE CONTRACTOR SHALL REMOVE AND DISPOSE OF SILT ACCUMULATIONS AT BAGGED STONE WHEN SO DIRECTED BY THE ENGINEER. BAGS SHALL BE REMOVED AND REPLACED WHENEVER THE ENGINEER DETERMINES THAT THEY HAVE DETERIORATED AND LOST THEIR EFFECTIVENESS.

NO SEPARATE PAYMENT WILL BE MADE FOR THIS WORK AND THE ENTIRE COST OF THIS WORK SHALL BE INCLUDED IN THE UNIT CONTRACT PRICE BID FOR THE SEVERAL PAY ITEMS.

TEMPORARY DRAINAGE AT END BENT



SECTION THRU CAP

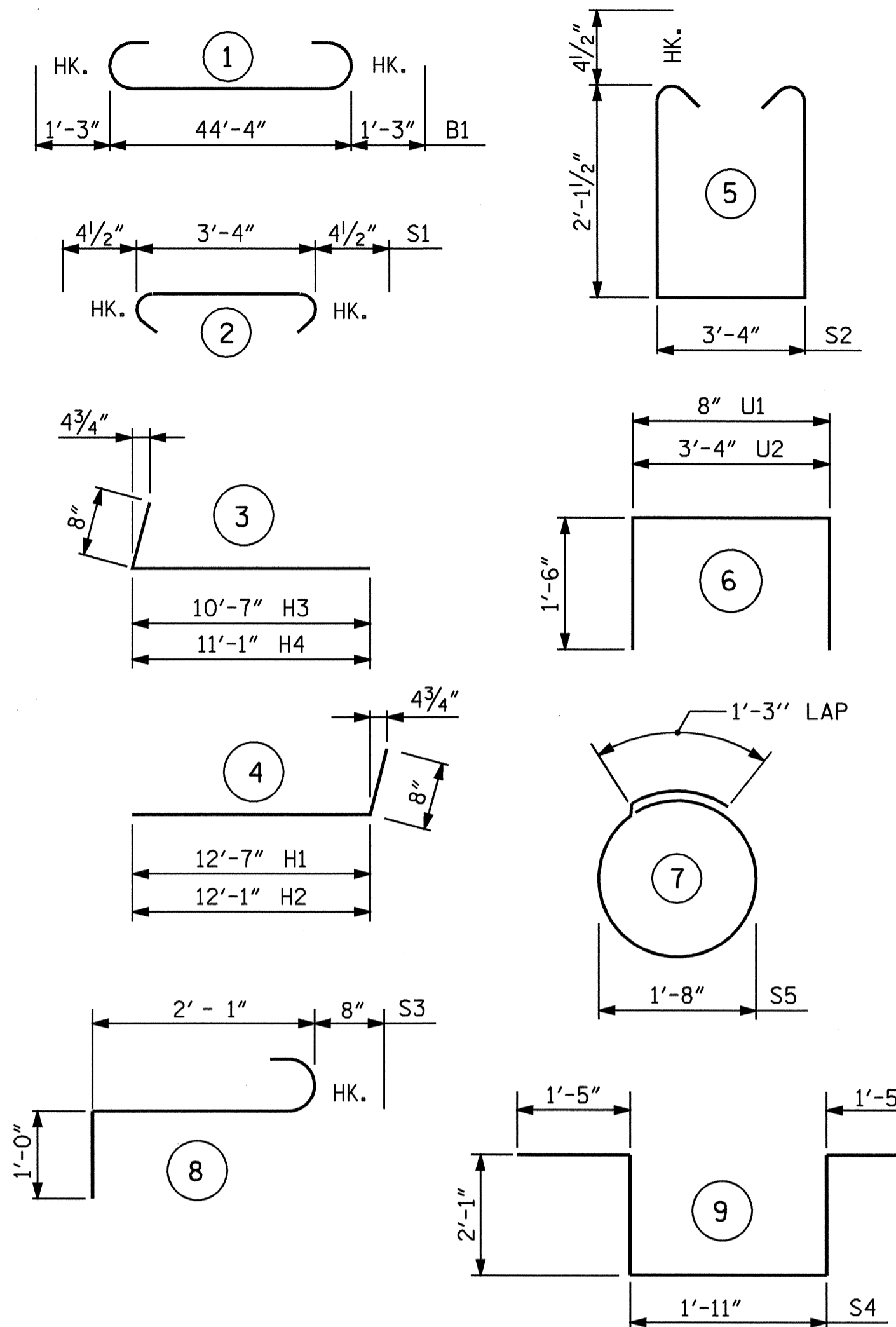


VIEW Y-Y

NOTE: NO SEPARATE PAYMENT WILL BE MADE FOR FURNISHING AND INSTALLING THE PVC PLASTIC PIPE DRAINS, HARDWARE CLOTH AND FASTENERS. THE ENTIRE COST OF THIS WORK SHALL BE INCLUDED IN THE UNIT CONTRACT PRICE FOR THE SEVERAL PAY ITEMS.

PIPE DRAIN DETAILS

BAR TYPES



ALL BAR DIMENSIONS ARE OUT TO OUT.

BILL OF MATERIAL

END BENT #1

BAR	NO.	SIZE	TYPE	LENGTH	WEIGHT
B1	10	#9	1	46'-10"	1592
B2	2	#5	STR	44'-7"	93
B3	8	#4	STR	23'-7"	126
B4	1	#4	STR	9'-11"	7
B5	1	#4	STR	9'-2"	6
B6	1	#4	STR	8'-7"	6
B7	1	#4	STR	8'-0"	5
B8	1	#4	STR	7'-7"	5
B9	5	#4	STR	2'-7"	9
B10	11	#4	STR	3'-4"	24
H1	9	#5	4	13'-3"	124
H2	9	#5	4	12'-9"	120
H3	9	#5	3	11'-3"	106
H4	9	#5	3	11'-9"	110
K1	16	#4	STR	23'-7"	252
K2	8	#4	STR	3'-9"	20
S1	42	#4	2	4'-1"	115
S2	42	#4	5	8'-4"	234
S3	6	#6	8	3'-9"	34
S4	2	#6	9	8'-11"	27
S5	14	#4	7	6'-6"	61
U1	36	#4	6	3'-8"	88
U2	9	#4	6	6'-4"	38
V1	72	#5	STR	6'-3"	469
V2	30	#5	STR	7'-9"	242
V3	34	#5	STR	8'-2"	290

REINFORCING STEEL = 4203 LBS

CLASS A CONCRETE

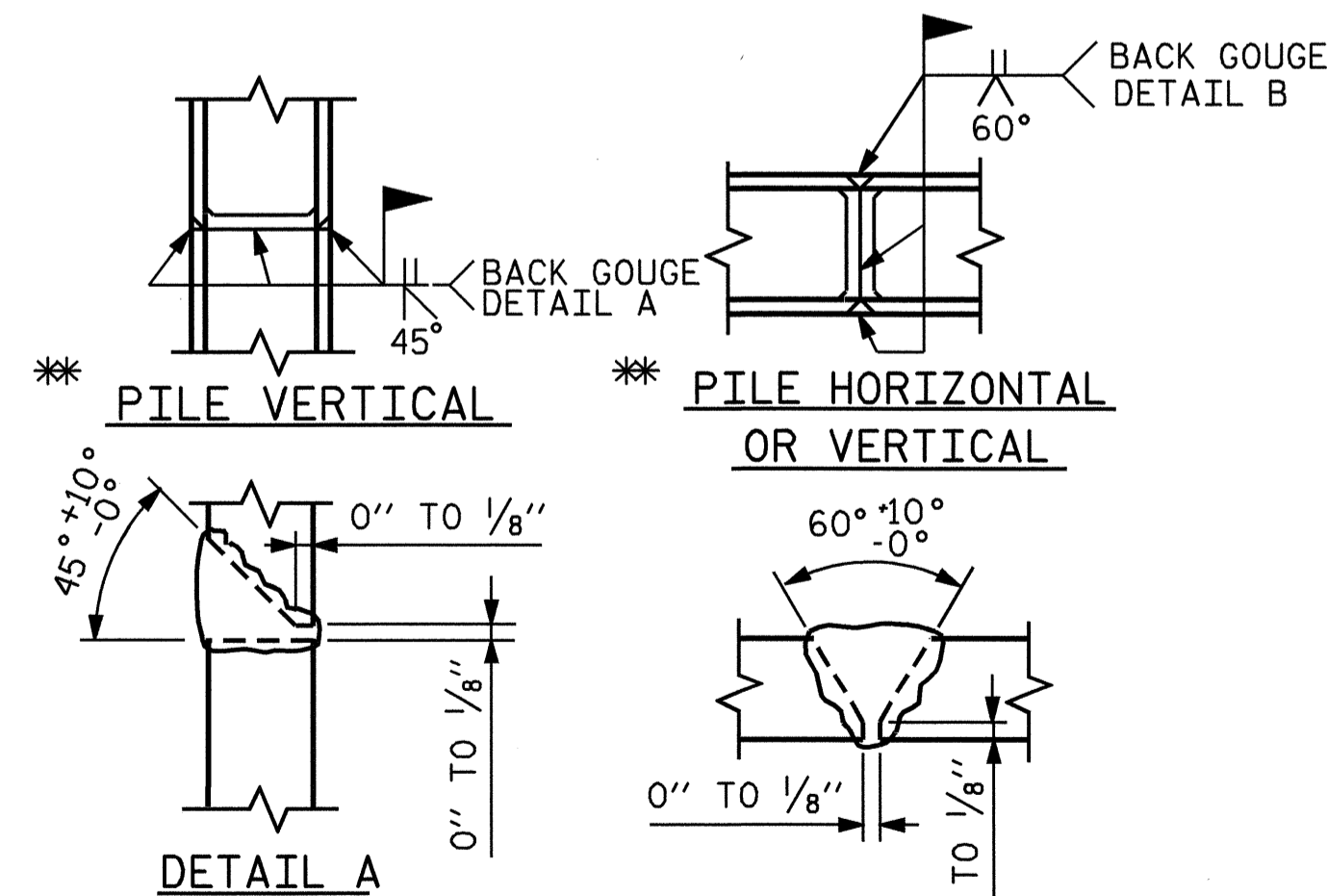
POUR #1	19.4 CU. YDS.
POUR #2	12.0 CU. YDS.
TOTAL	31.4 CU. YDS.

HP 12 x 53 STEEL PILES NO. 9 = 90 FEET

STEEL PILE POINTS (LEFT SIDE) = NO. 5

PILE EXCAVATION (RIGHT SIDE)

IN SOIL	30 FEET
NOT IN SOIL	12 FEET



* POSITION OF PILE DURING WELDING.

PILE SPLICE DETAILS

PROJECT NO. B-3506
RANDOLPH COUNTY
STATION: 17+97.50 -L-

SHEET 3 OF 3

STATE OF NORTH CAROLINA
DEPARTMENT OF TRANSPORTATION
RALEIGH

SUBSTRUCTURE
END BENT #1
DETAILS

REVISIONS						SHEET NO.	
NO.	BY:	DATE:	NO.	BY:	DATE:	S-24	
1			3			TOTAL SHEETS 35	
2			4				

