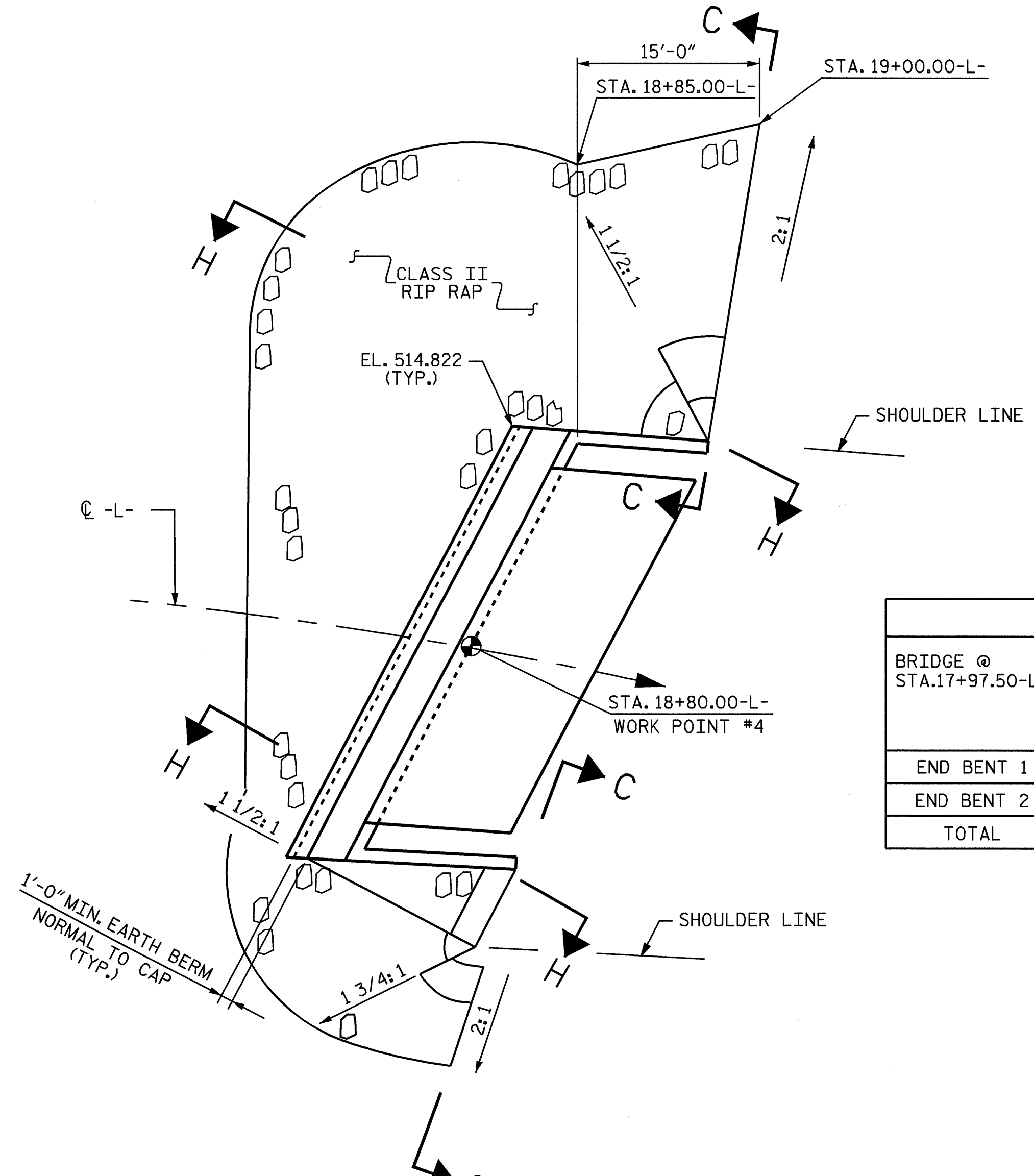


END BENT #1

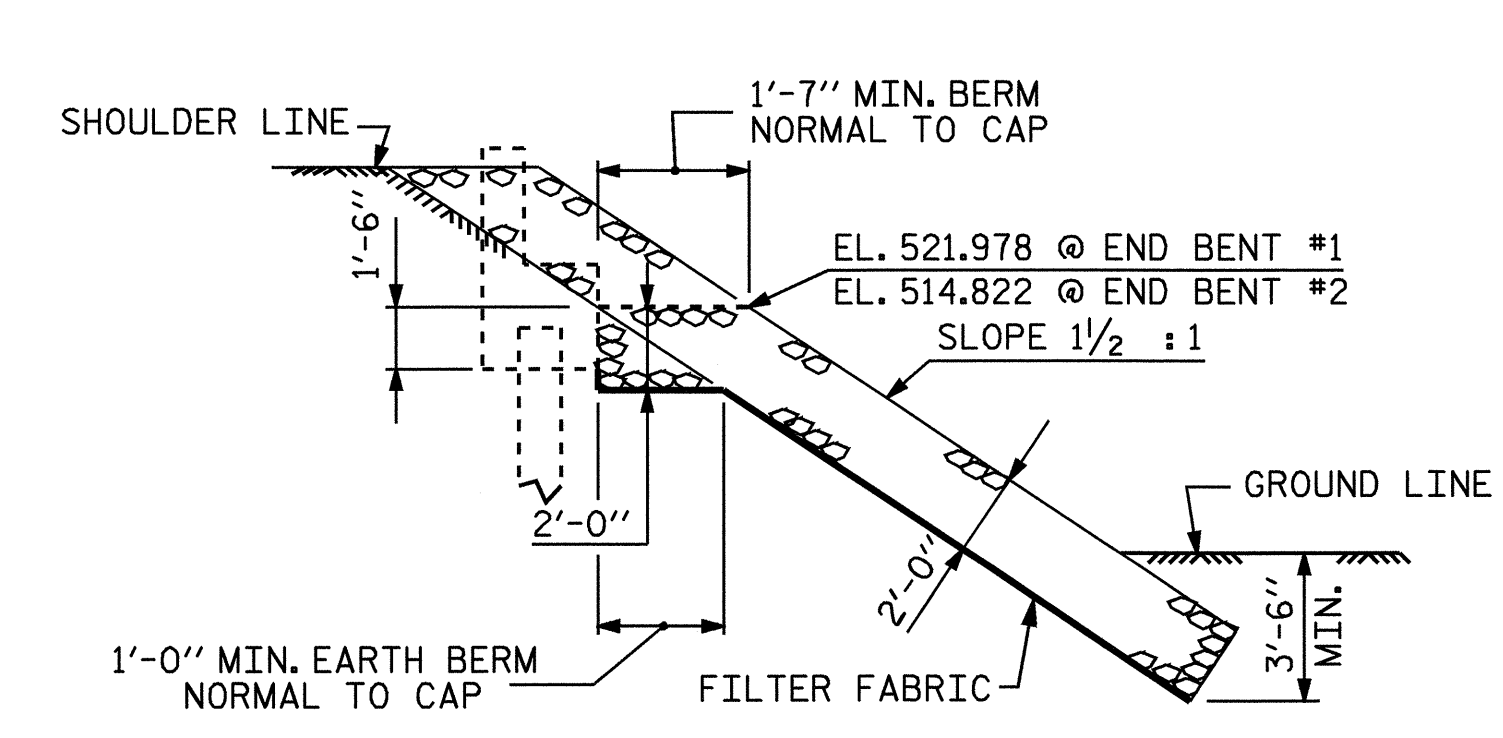


END BENT #2

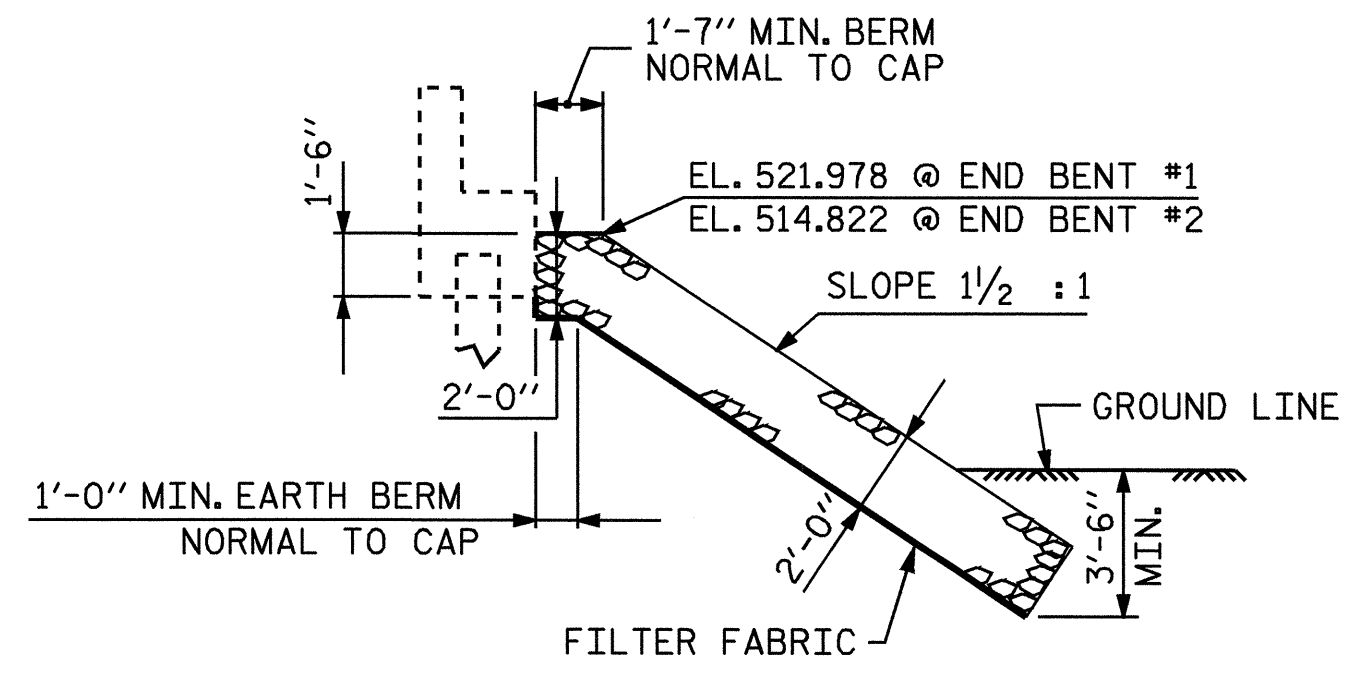
NOTES :  
FOR BERM WIDTH DIMENSIONS, SEE GENERAL DRAWING.

ESTIMATED QUANTITIES		
BRIDGE @ STA. 17+97.50-L-	PLAIN RIP RAP CLASS II (2'-0")	FILTER FABRIC FOR DRAINAGE
	TONS	SQUARE YARDS
END BENT 1	335	370
END BENT 2	180	200
TOTAL	515	570

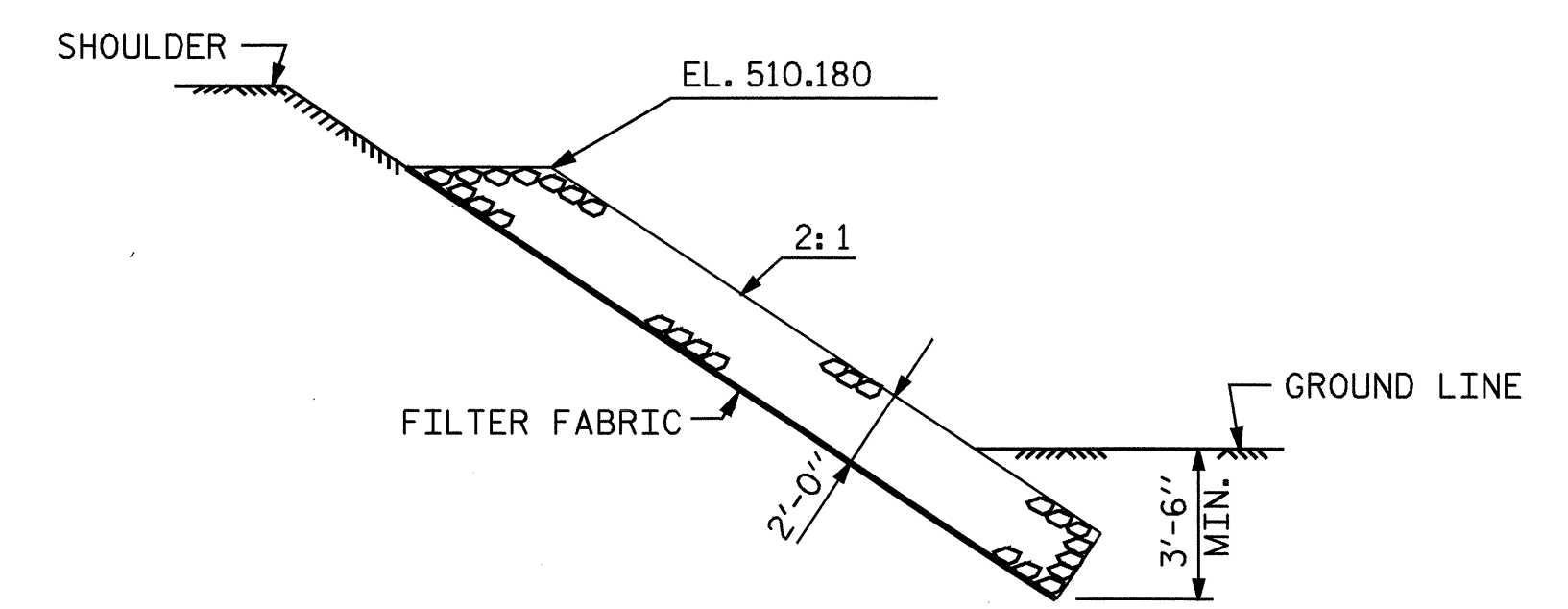
PLAN



SECTION H-H



SECTION C-C  
BERM RIP RAPPED

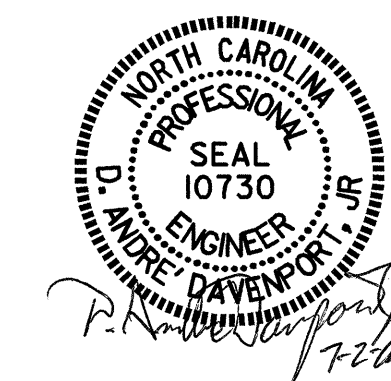


SECTION C-C

PROJECT NO. B-3506  
RANDOLPH COUNTY  
STATION: 17+97.50-L-

STATE OF NORTH CAROLINA  
DEPARTMENT OF TRANSPORTATION  
RALEIGH

—RIP RAP DETAILS—



ASSEMBLED BY :	H.T. BARBOUR	DATE :	12-31-03
CHECKED BY :	D. A. DAVENPORT	DATE :	2-04
DRAWN BY :	REK	1/84	REV. 7/17/98
CHECKED BY :	RDU	1/84	REV. 8/16/99
			REV. 10/17/00

REVISIONS						SHEET NO.
NO.	BY:	DATE:	NO.	BY:	DATE:	TOTAL SHEETS
1			3			35
2			4			