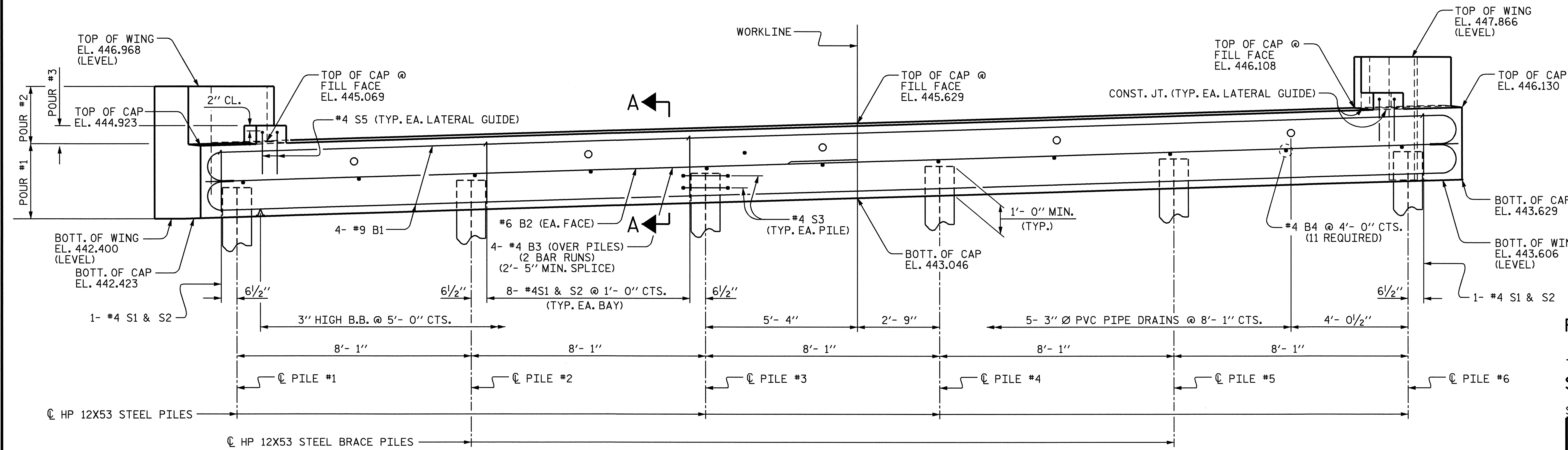


PLAN



ELEVATION

TOP OF PILE ELEVATIONS	
PILE #	ELEVATION
PILE #1	443.459
PILE #2	443.685
PILE #3	443.911
PILE #4	444.137
PILE #5	444.363
PILE #6	444.589

PROJECT NO. B-3504
RANDOLPH COUNTY
 STATION: 18+70.50 -L-

SHEET 1 OF 3

STATE OF NORTH CAROLINA
 DEPARTMENT OF TRANSPORTATION
 RALEIGH

**SUBSTRUCTURE
 END BENT #2**

REVISIONS						SHEET NO.
NO.	BY:	DATE:	NO.	BY:	DATE:	5-19
1			3			TOTAL SHEETS
2			4			27



DRAWN BY : D. A. GLADDEN DATE : 5-13-04
 CHECKED BY : M. G. SHAIKH DATE : 6-14-04

09-AUG-2004 16:57
 W:\squad\B3504\dgladden\Microstat\ion\b3504ebt.dgn
 dgladden