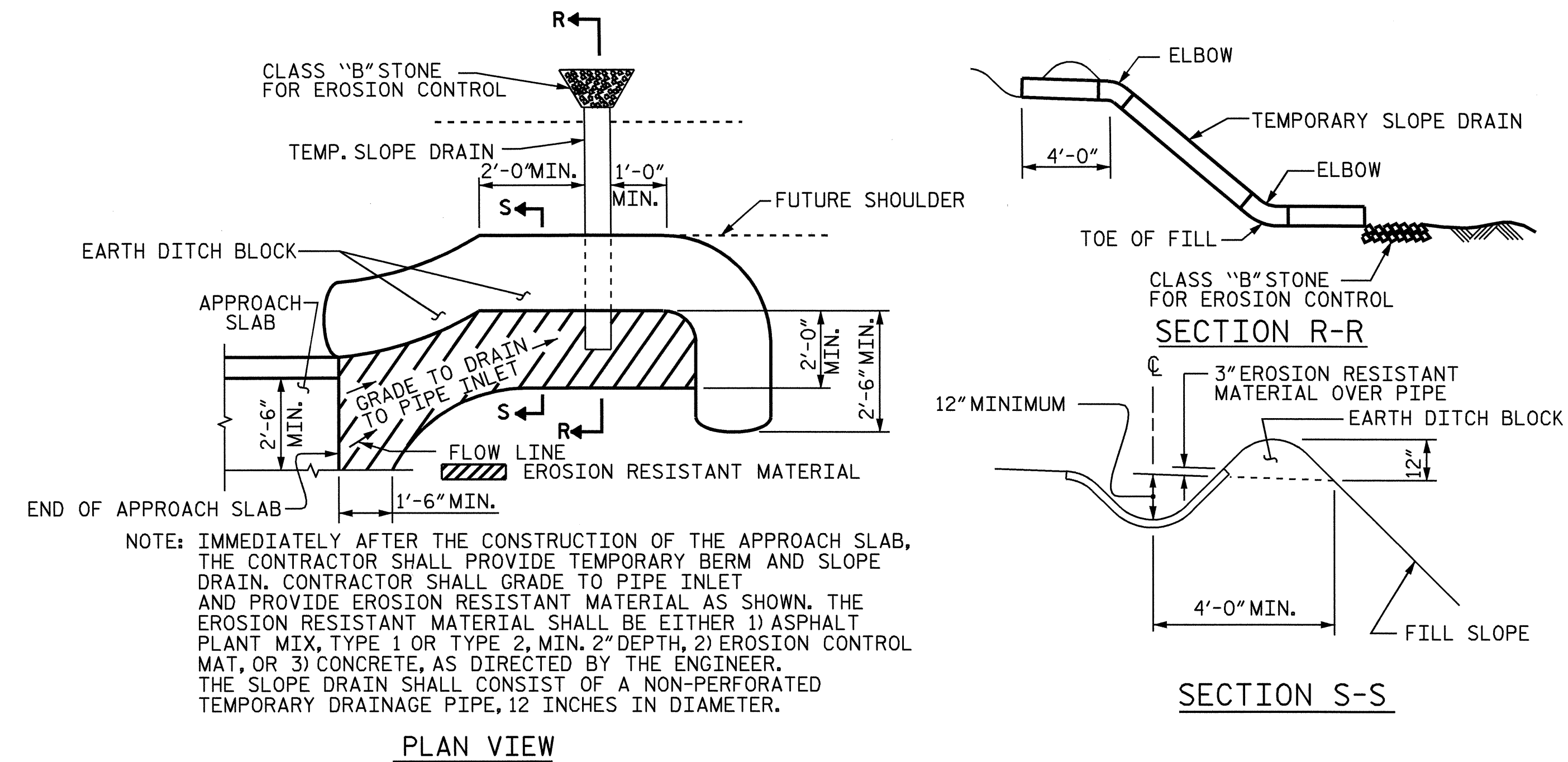


NOTE : DROP INLET AND GRATE ARE ROADWAY PAY ITEMS. SEE ROADWAY PLANS FOR DETAILS.

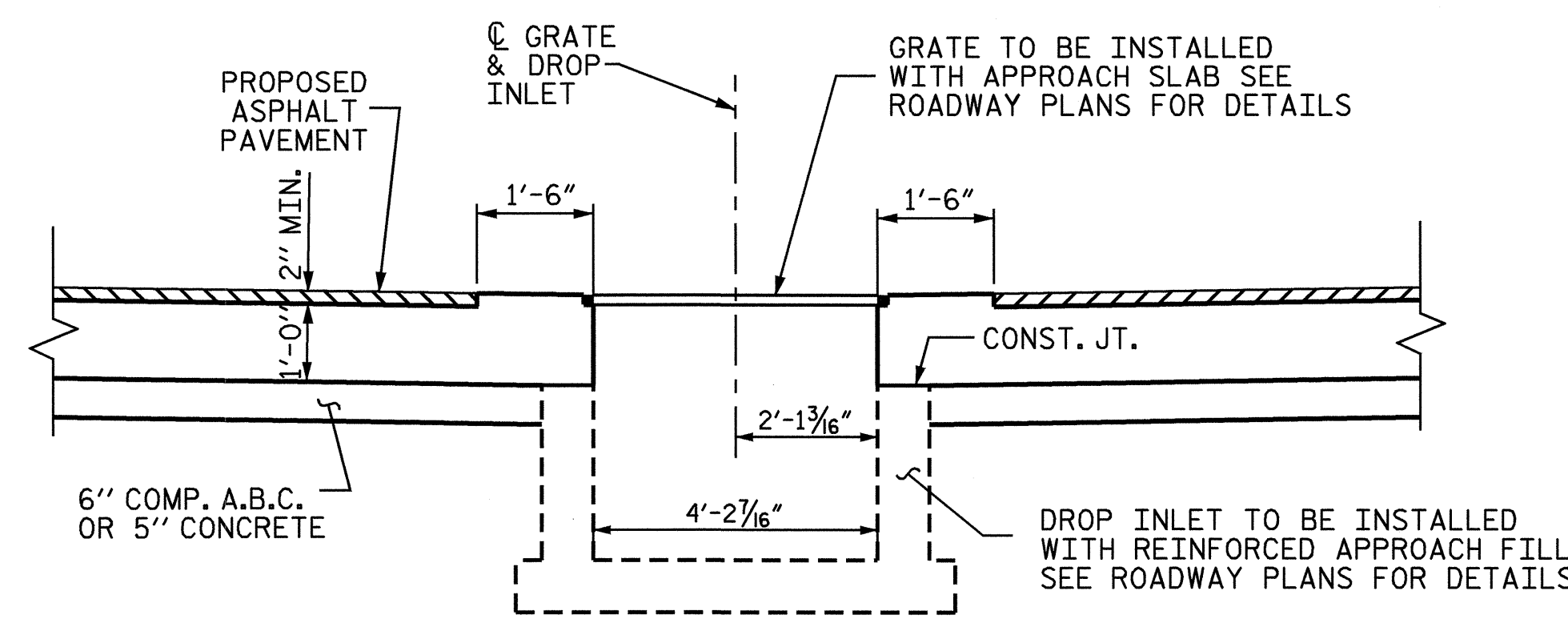
TYPICAL PART PLAN



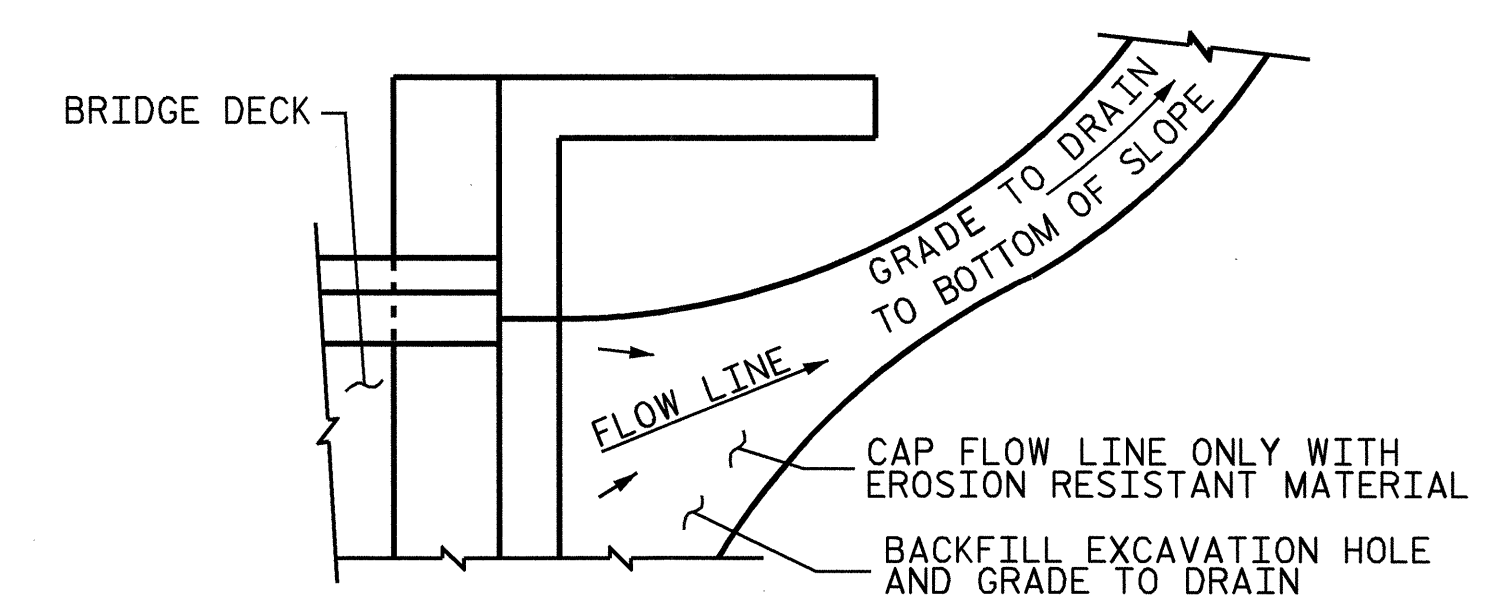
NOTE: IMMEDIATELY AFTER THE CONSTRUCTION OF THE APPROACH SLAB, THE CONTRACTOR SHALL PROVIDE TEMPORARY BERM AND SLOPE DRAIN. CONTRACTOR SHALL GRADE TO PIPE INLET AND PROVIDE EROSION RESISTANT MATERIAL AS SHOWN. THE EROSION RESISTANT MATERIAL SHALL BE EITHER 1) ASPHALT PLANT MIX, TYPE 1 OR TYPE 2, MIN. 2" DEPTH, 2) EROSION CONTROL MAT, OR 3) CONCRETE, AS DIRECTED BY THE ENGINEER. THE SLOPE DRAIN SHALL CONSIST OF A NON-PERFORATED TEMPORARY DRAINAGE PIPE, 12 INCHES IN DIAMETER.

PLAN VIEW

TEMPORARY BERM AND SLOPE DRAIN DETAILS

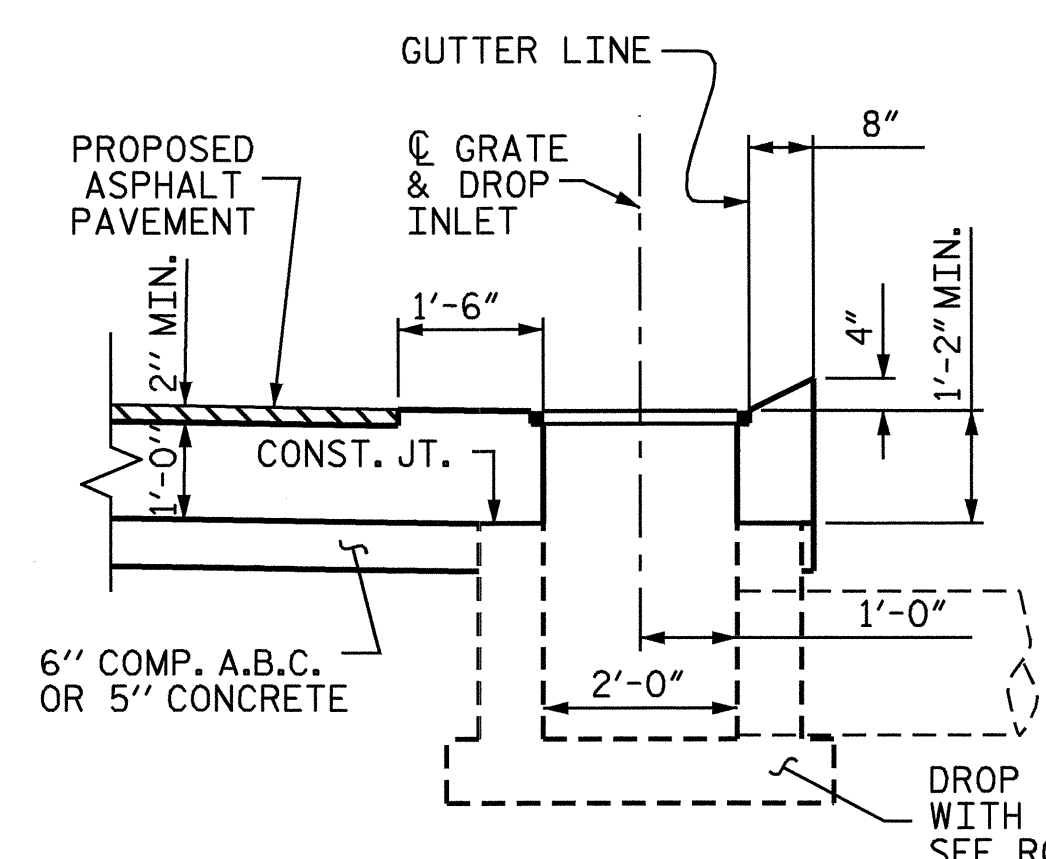


SECTION A-A

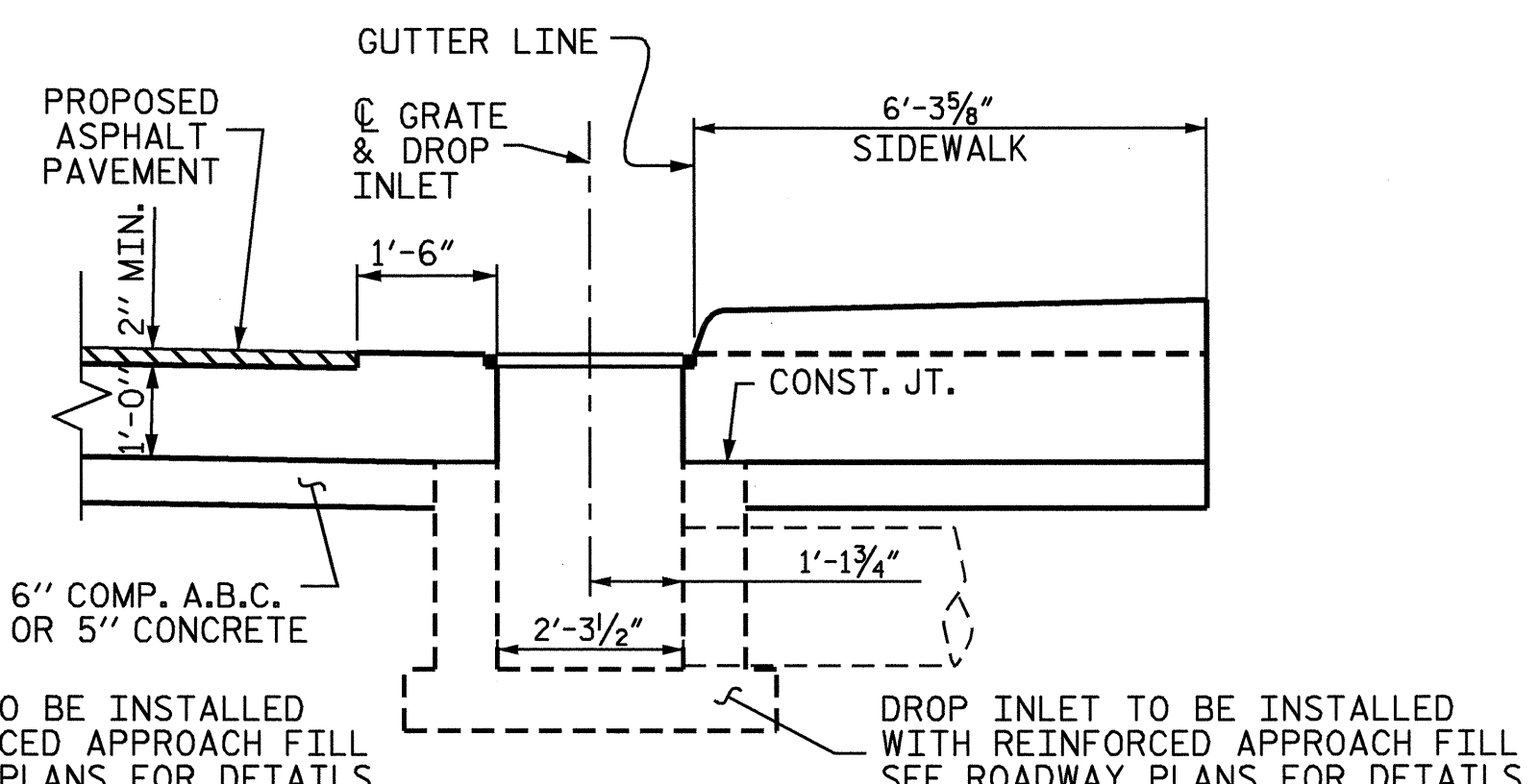


NOTE: IF THE APPROACH SLAB IS NOT CONSTRUCTED IMMEDIATELY AFTER THE BACKFILLING OF THE END BENT EXCAVATION, GRADE TO DRAIN TO THE BOTTOM OF THE SLOPE AND PROVIDE EROSION RESISTANT MATERIAL, SUCH AS FIBERGLASS ROVING OR AS DIRECTED BY THE ENGINEER TO PREVENT SOIL EROSION AND TO PROTECT THE AREA ADJACENT TO THE STRUCTURE. THE CONTRACTOR WILL BE REQUIRED TO REMOVE THESE MATERIALS PRIOR TO CONSTRUCTION OF THE APPROACH SLAB.

TEMPORARY DRAINAGE DETAIL

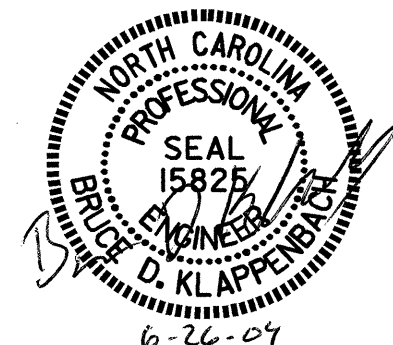


SECTION B-B



SECTION B-B

ASSEMBLED BY :	J.B. WILSON	DATE :	5/04
CHECKED BY :	M.G. SHAIKH	DATE :	5/04
DRAWN BY :	FCJ 11/88	REV. 8/16/99	MAB/LES
CHECKED BY :	ARB 11/88	REV. 10/17/00	RWW/LES
		REV. 5/7/03	RWW/JTE



PROJECT NO. B-3504
 RANDOLPH COUNTY
 STATION: 18+70.50 -L-

SHEET 5 OF 5

STATE OF NORTH CAROLINA DEPARTMENT OF TRANSPORTATION RALEIGH						1988
STANDARD BRIDGE APPROACH SLAB DETAILS						SHEET NO. S-27
REVISIONS						TOTAL SHEETS 27
NO.	BY:	DATE:	NO.	BY:	DATE:	
1			3			
2			4			