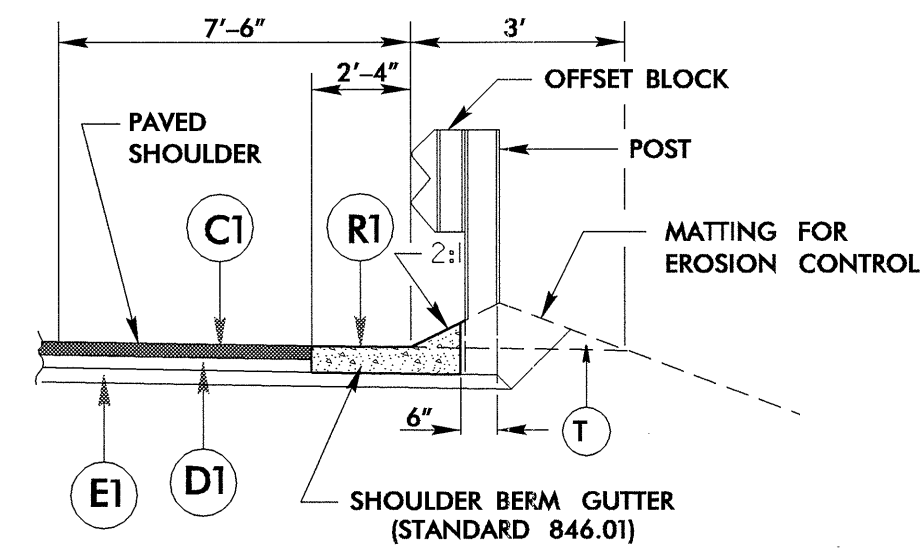


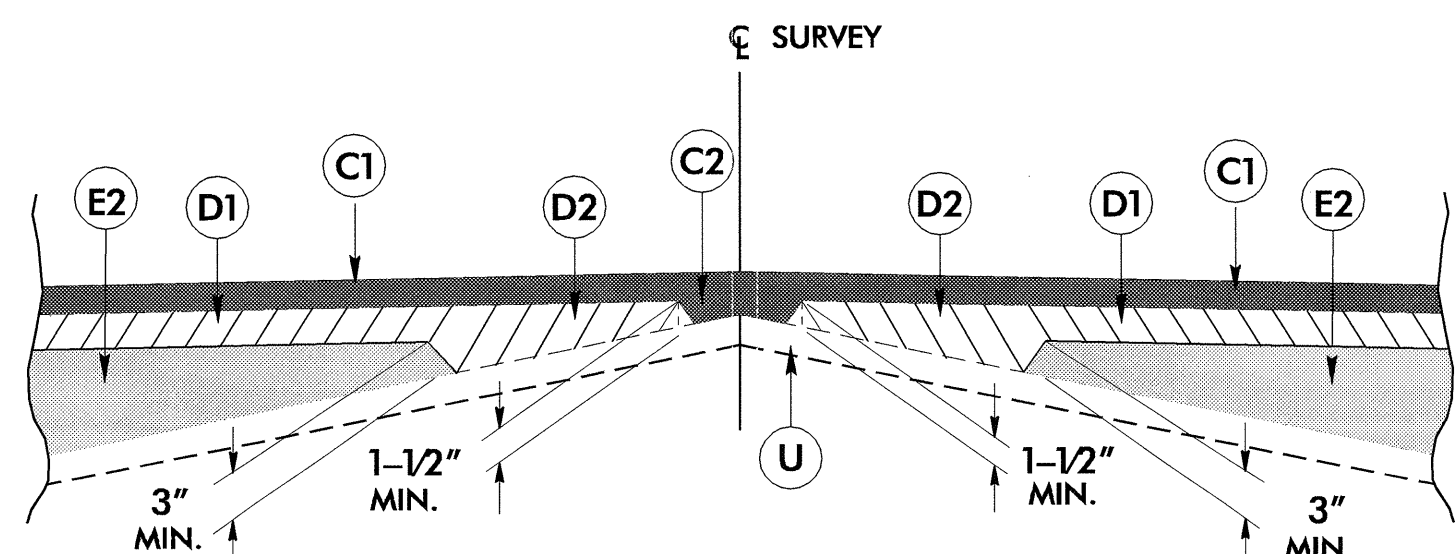
FINAL PAVEMENT SCHEDULE	
C1	PROP. APPROX. 2.5" ASPHALT CONCRETE SURFACE COURSE, TYPE S9.5B, AT AN AVERAGE RATE OF 140 LBS. PER SQ. YD. IN EACH OF TWO LAYERS
C2	PROP. VAR. DEPTH ASPHALT CONCRETE SURFACE COURSE, TYPE S9.5B, AT AN AVERAGE RATE OF 112 LBS. PER SQ. YD. PER 1" DEPTH. TO BE PLACED IN LAYERS NOT TO EXCEED 1 1/2" DEPTH.
D1	PROP. APPROX. 2.5" ASPHALT CONCRETE INTERMEDIATE COURSE, TYPE I19.0B, AT AN AVERAGE RATE OF 285 LBS. PER SQ. YD.
D2	PROP. VAR. DEPTH ASPHALT CONCRETE INTERMEDIATE COURSE, TYPE I19.0B, AT AN AVERAGE RATE OF 114 LBS. PER SQ. YD. PER 1" DEPTH. TO BE PLACED IN LAYERS NOT LESS THAN 2 1/4" OR GREATER THAN 4" IN DEPTH.
E1	PROP. APPROX. 3" ASPHALT CONCRETE BASE COURSE, TYPE B25.0B, AT AN AVERAGE RATE OF 342 LBS. PER SQ. YD.
E2	PROP. APPROX. VAR. DEPTH ASPHALT CONCRETE BASE COURSE, TYPE B25.0B, AT AN AVERAGE RATE OF 114 LBS. PER SQ. YD. PER 1" DEPTH TO BE PLACED IN LAYERS NOT LESS THAN 3" IN DEPTH OR GREATER THAN 5 1/2" IN DEPTH.
R1	CONCRETE SHOULDER BERM GUTTER
T	EARTH MATERIAL
U	EXISTING PAVEMENT
W	VARIABLE DEPTH ASPHALT PAVEMENT (SEE STANDARD WEDGING DETAIL)

NOTE: PAVEMENT EDGE SLOPES ARE 1:1 UNLESS SHOWN OTHERWISE.

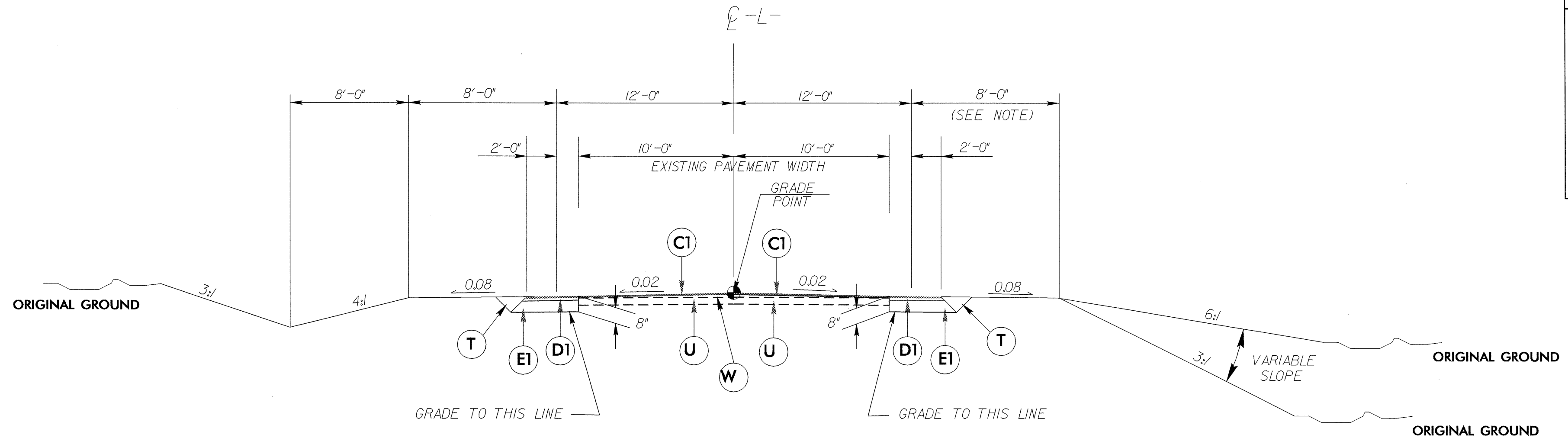


DETAIL SHOWING SHOULDER BERM GUTTER

- USE WITH TYPICAL SECTION NO. 2
- L- STA. 15+45.25 TO STA. 16+09.00 RIGHT
 - L- STA. 15+45.25 TO STA. 16+09.00 LEFT
 - L- STA. 17+26.00 TO STA. 17+44.75 RIGHT
 - L- STA. 17+26.00 TO STA. 17+44.75 LEFT



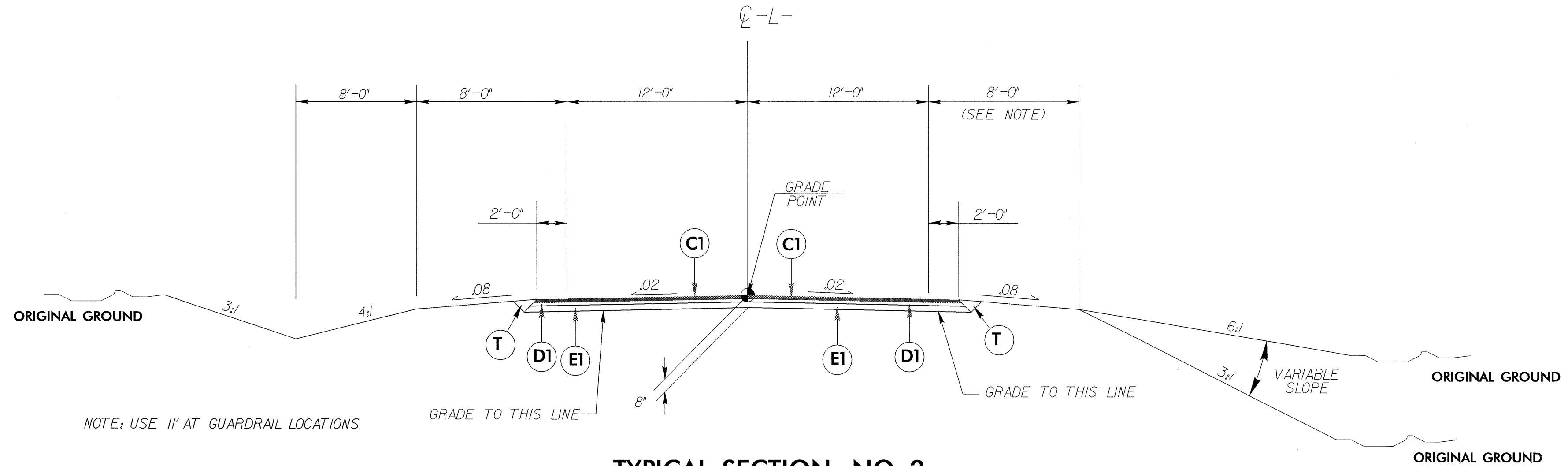
Detail Showing Method of Wedging



NOTE: USE 11' AT GUARDRAIL LOCATIONS

TYPICAL SECTION NO. 1

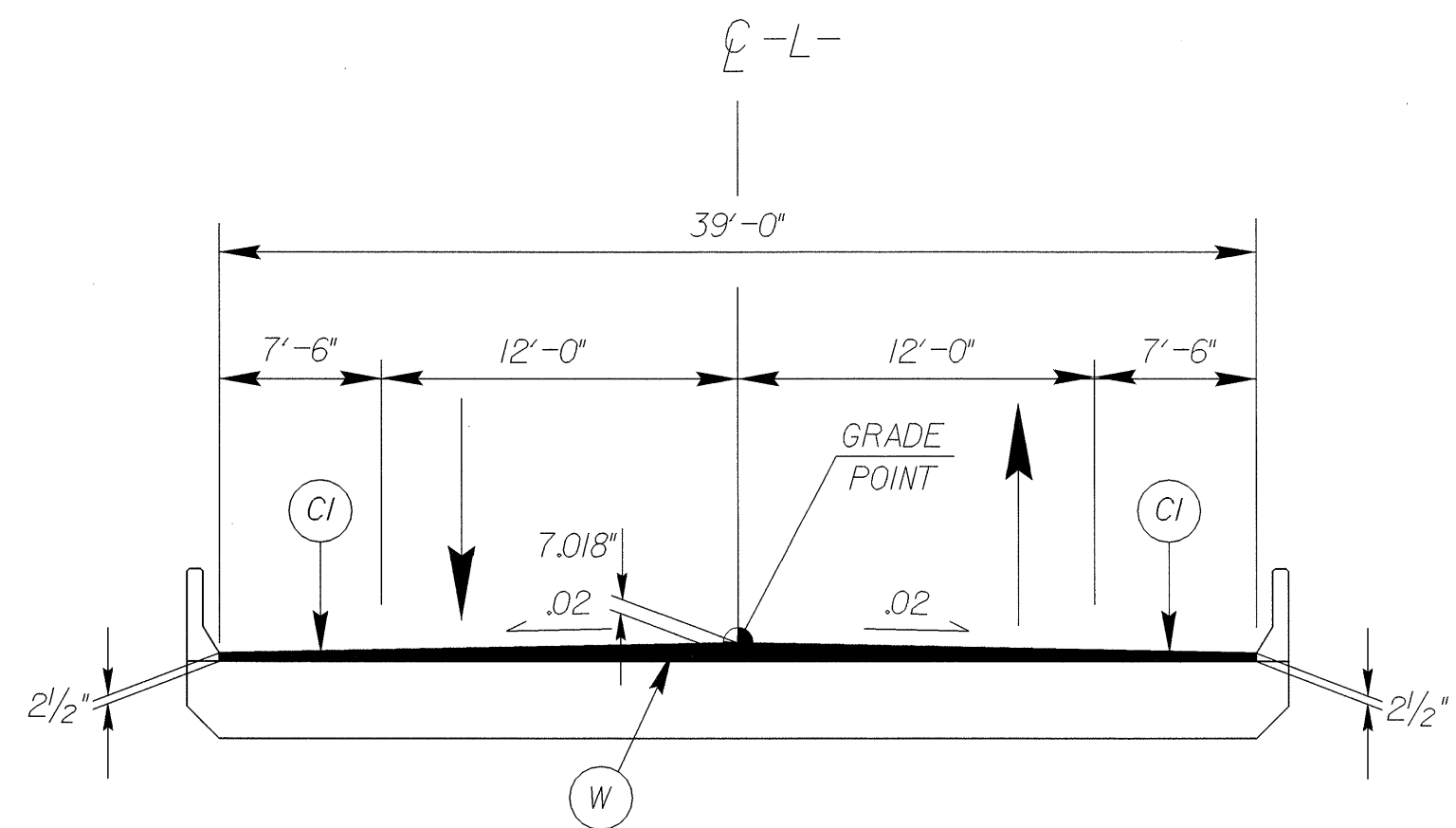
- USE TYPICAL SECTION NO. 1
- L- FROM STA. 13+00.00 TO STA. 13+50.00, TRANSITION FROM EXISTING TO T.S. NO. 1
 - L- FROM STA. 13+50.00 TO STA. 14+00.00
 - L- FROM STA. 18+85.00 TO STA. 20+25.00
 - L- FROM STA. 20+25.00 TO STA. 20+75.00, TRANSITION FROM T.S. NO. 1 TO EXISTING



NOTE: USE 11' AT GUARDRAIL LOCATIONS

TYPICAL SECTION NO. 2

- USE TYPICAL SECTION NO. 2
- L- FROM STA 14+00.00 TO STA. 16+20.00 (BEGIN BRIDGE)
 - L- FROM STA 17+15.00 (END BRIDGE) TO STA 18+85.00



TYPICAL SECTION NO. 3

- USE TYPICAL SECTION NO. 3
- L- FROM STA 16+20.00 (BEGIN BRIDGE) TO STA 17+15.00 (END BRIDGE)